

Milton

040184

EQUIPMENT



2 people



Measure



Drill



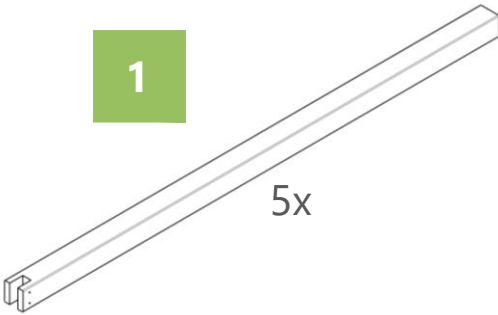
Level



Angle
bracket

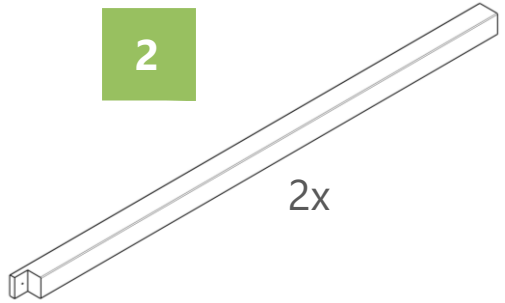
PARTS

1



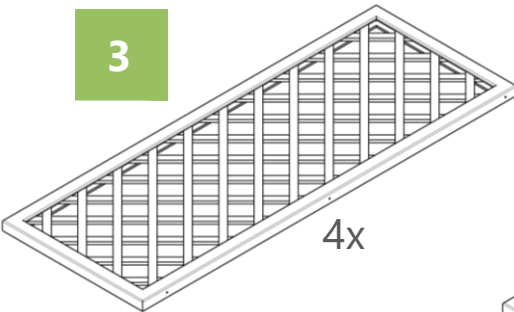
5x

2



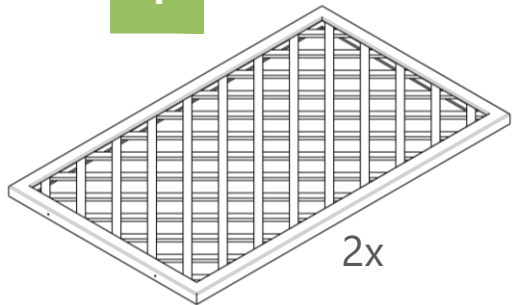
2x

3

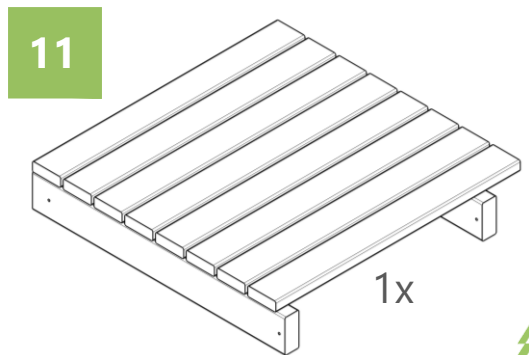
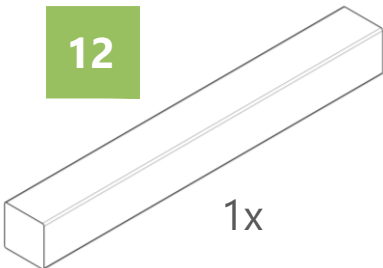
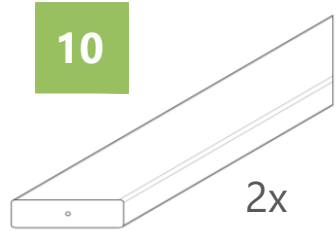
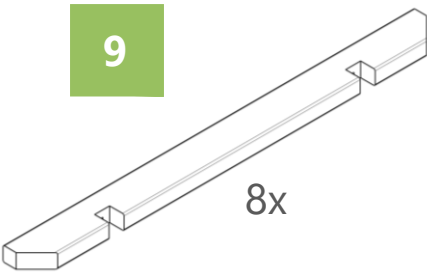
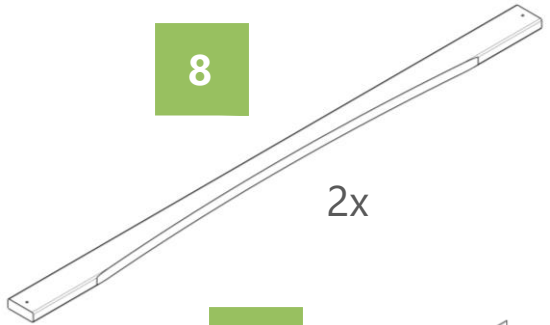
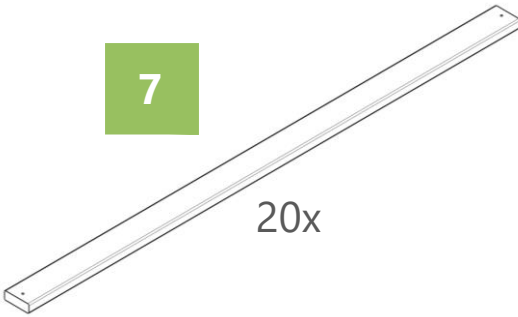
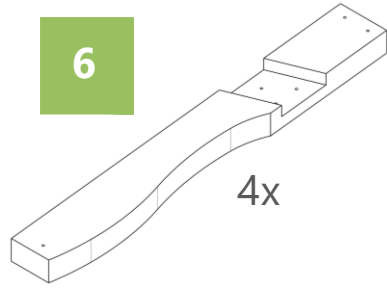
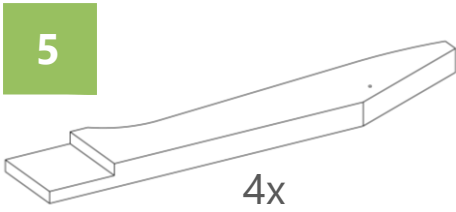


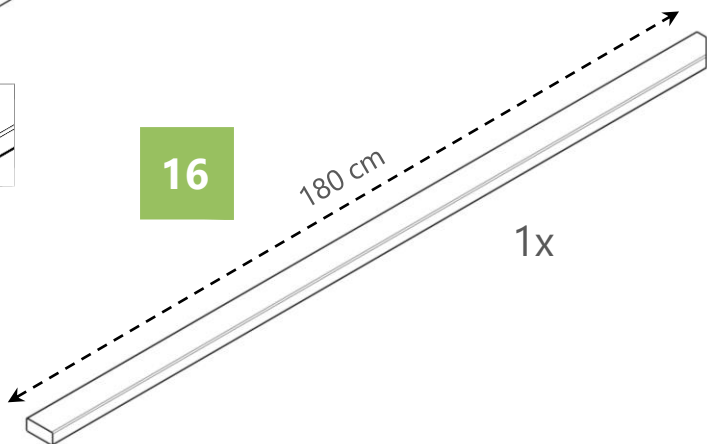
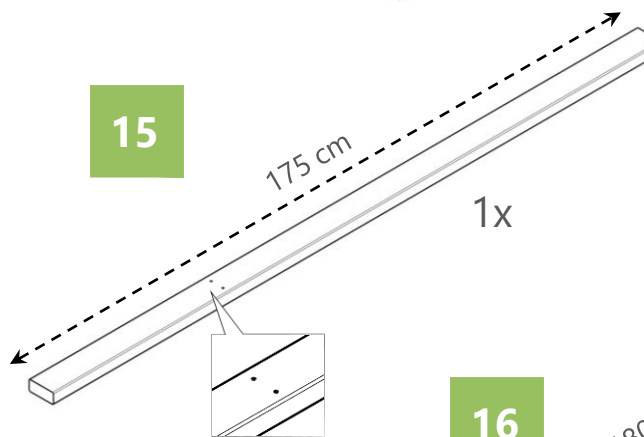
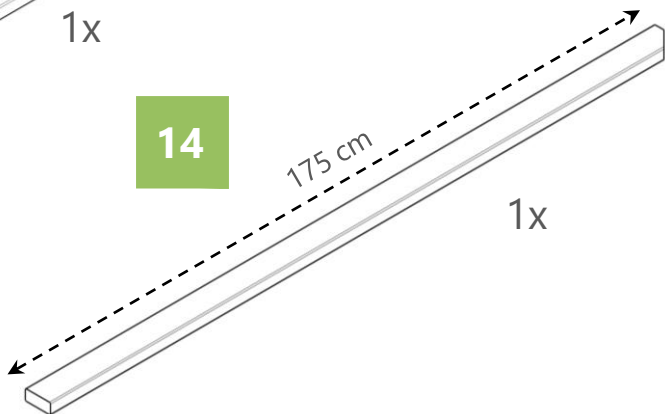
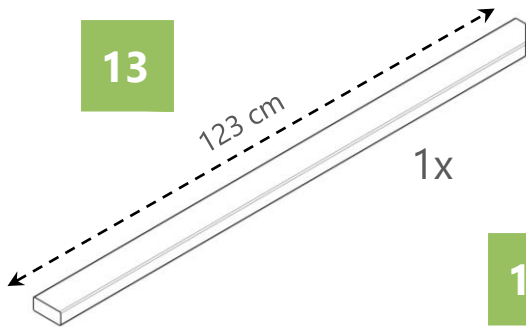
4x

4



2x





FITTINGS

A

2x



SCREW BIT: PZ2

B

20x



4x20 mm

C

12x



4x25 mm

D

50x



4x40 mm

E

80x



4x60 mm

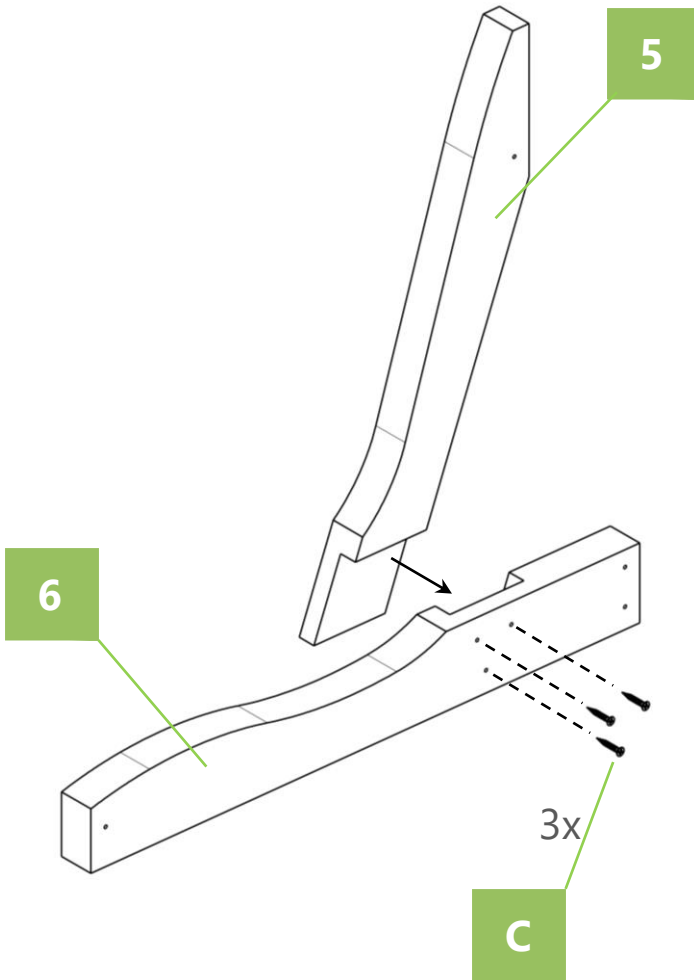
F

6x



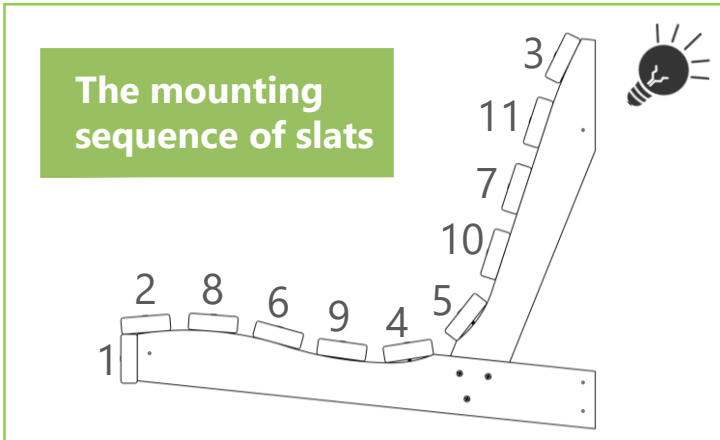
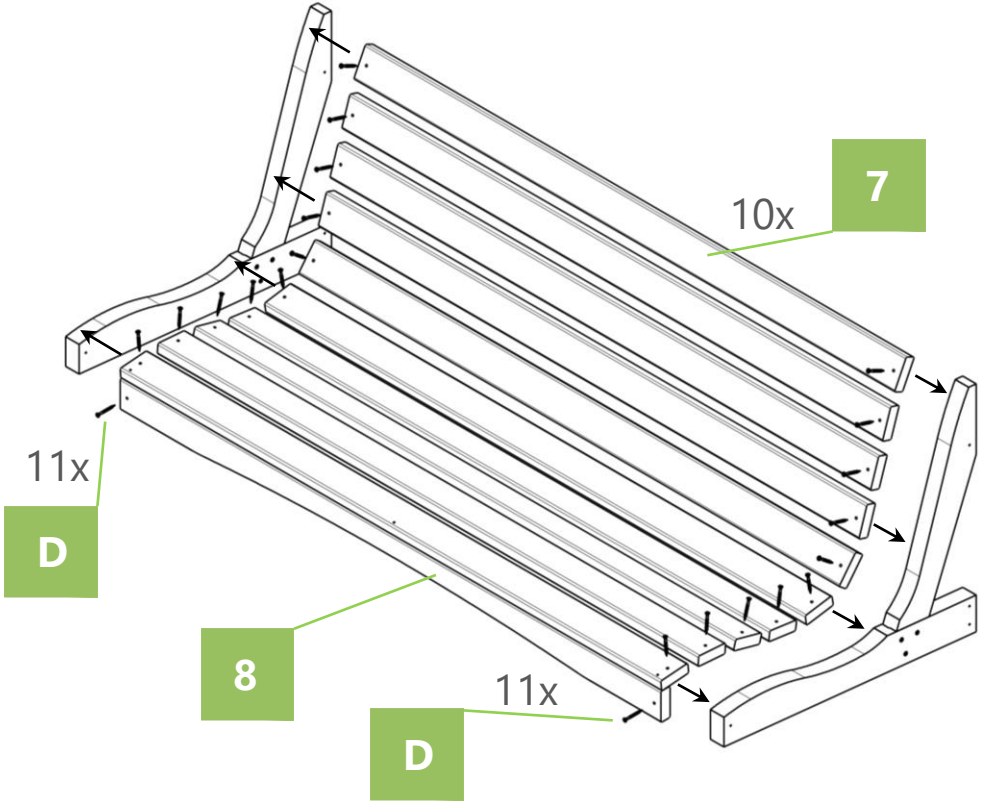
4x70 mm

Step 1

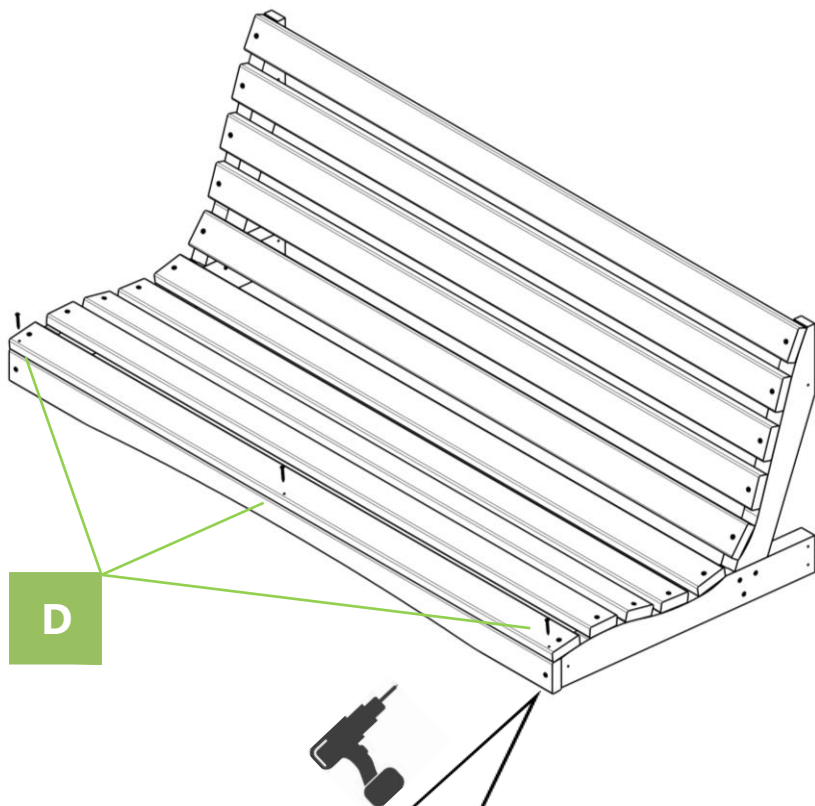


Assemble 4 such segments

Step 2

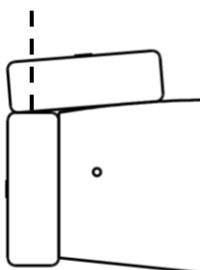


Step 3

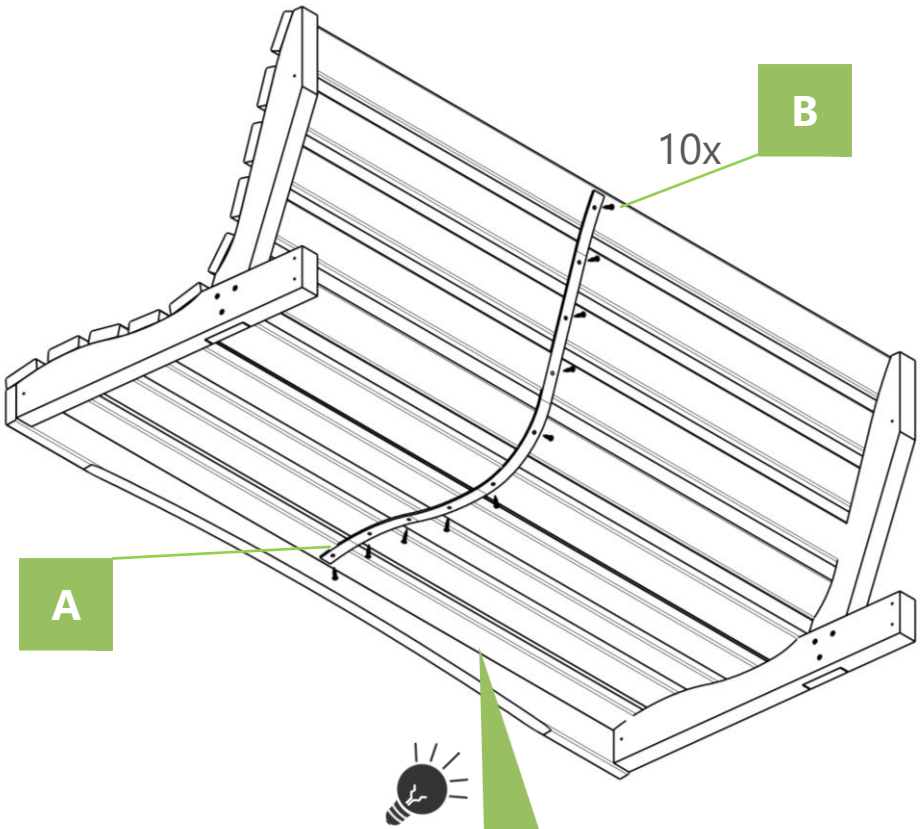


Pre-drill holes for screws in the 2nd slat.

Drill bit: $\text{Ø}4$



Step 4



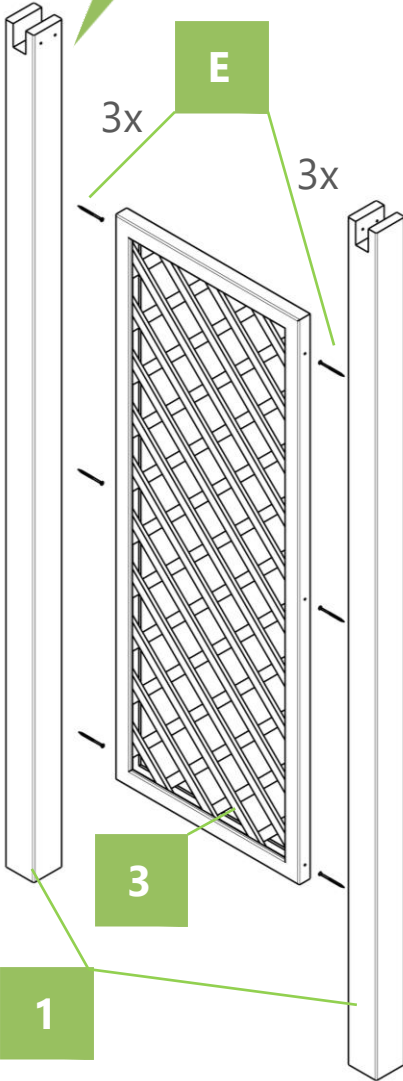
Start mounting the steel flat bar from the 2nd slat from the bottom (see step2 – slat no. 2). Adjust it to the profile of the bench by bending it.

Assemble 2 benches

Step 5

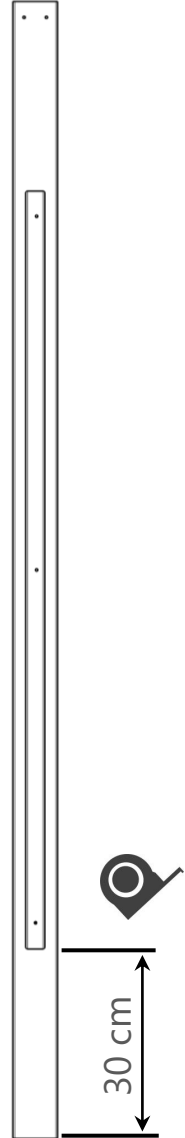


Pay attention to the positioning of the posts notches



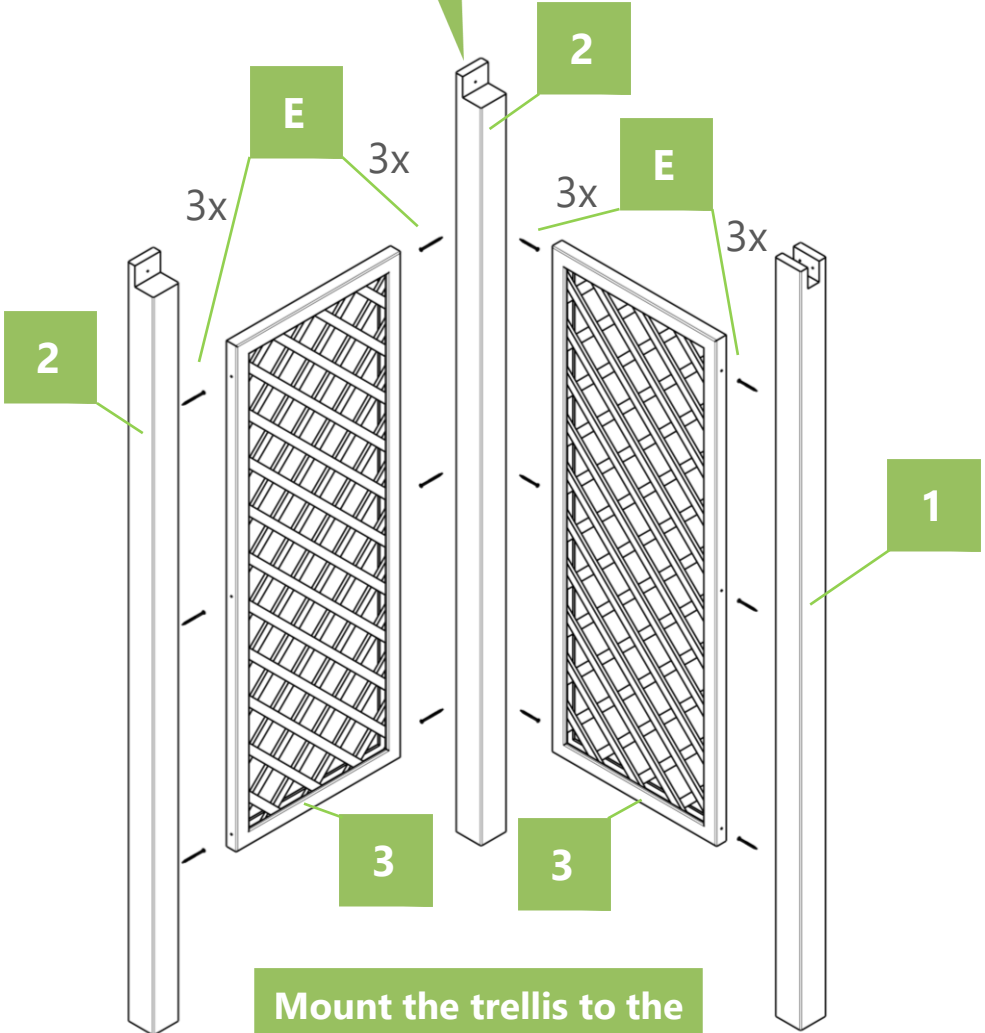
Assemble 2 such segments

Mount the trellis in the middle of the post



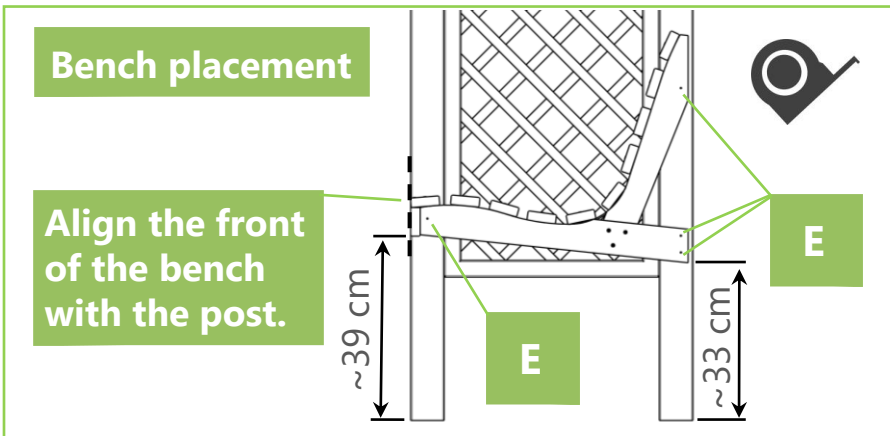
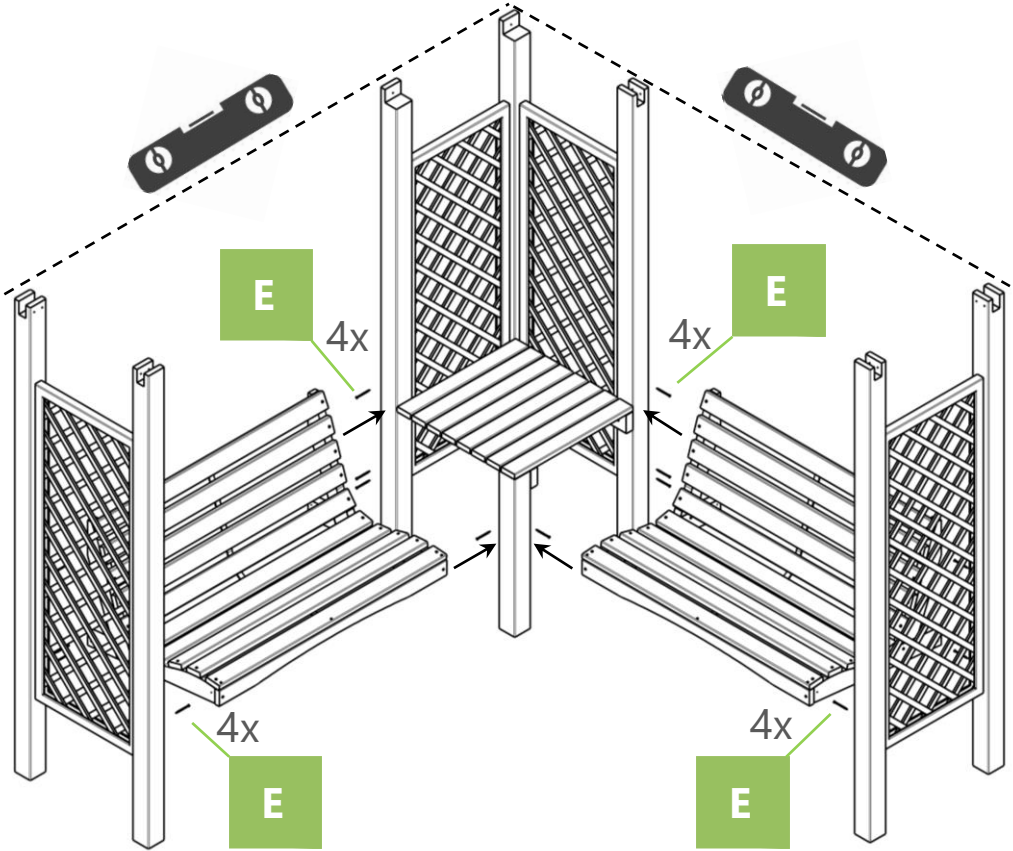
Step 6

Pay attention to the positioning of the posts notches

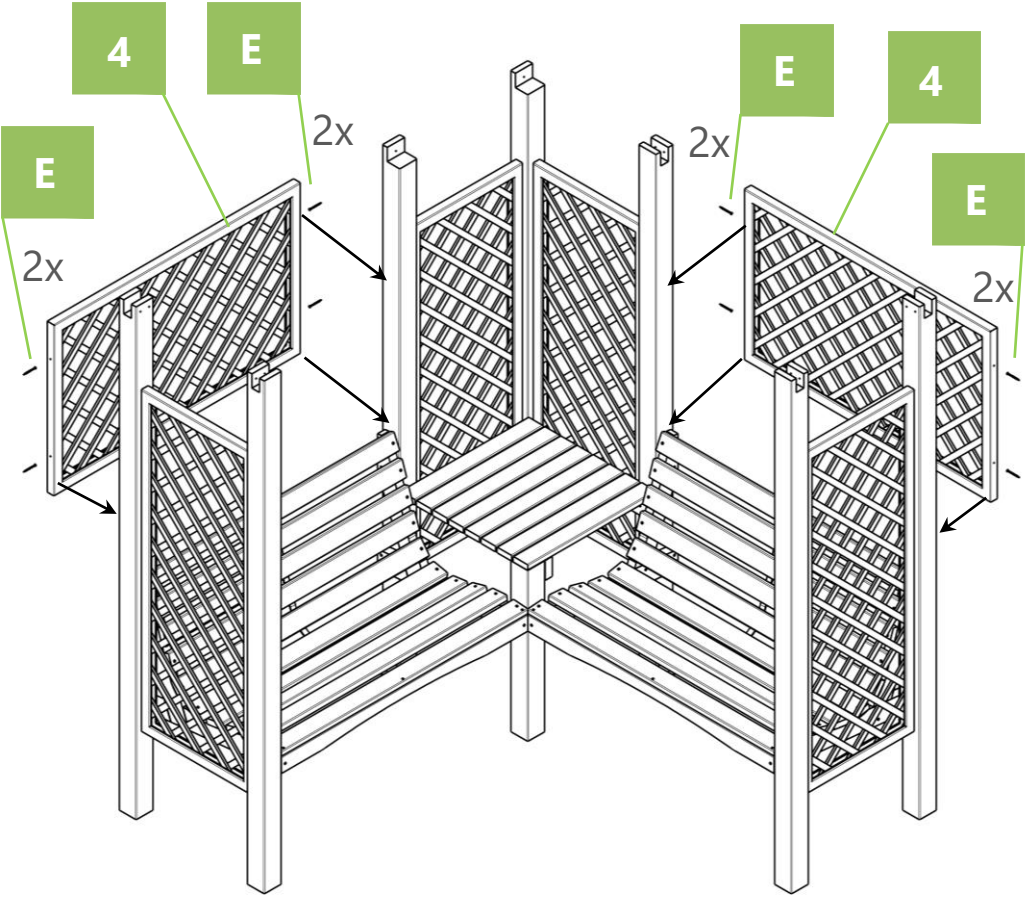


Mount the trellis to the posts like in step 5.

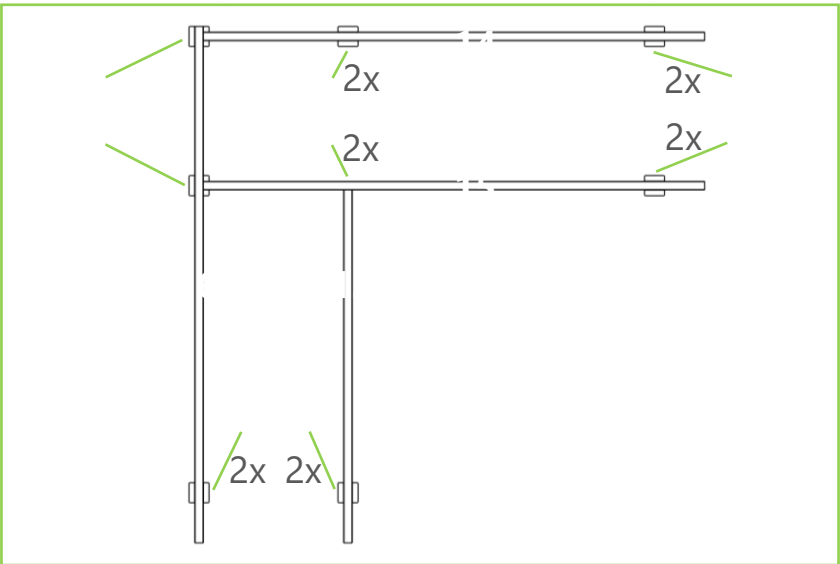
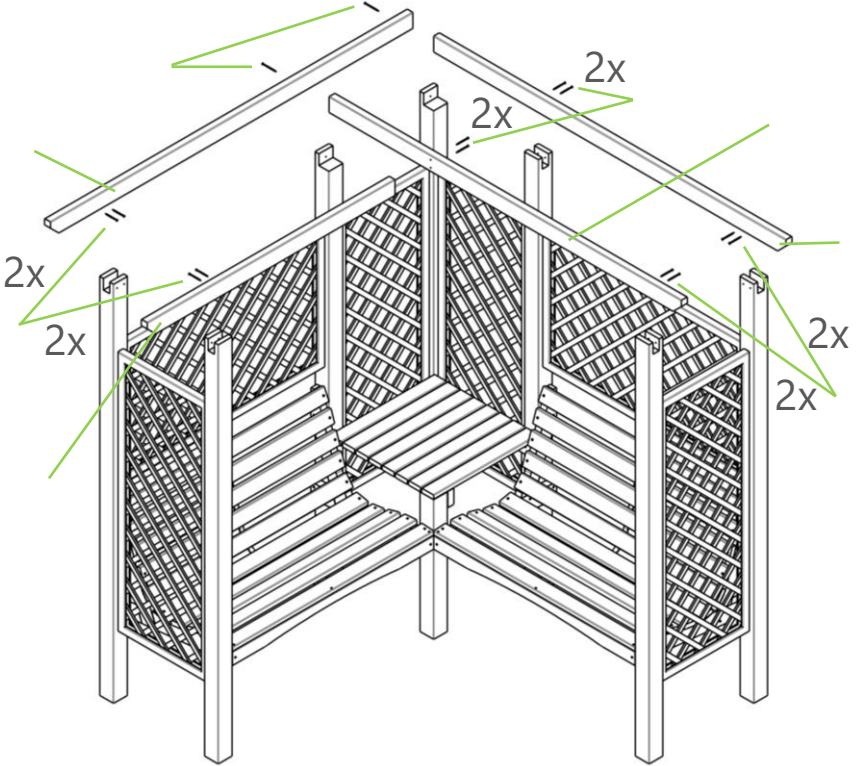
Step 8



Step 9



Step 10



Step 11

