

Hanging Mushroom Heater

User Instructions

69564

69565



Technical Information

Power supply: 220 - 240V ~ 50Hz

Power rating: 1500W

Ingress protection: IP44

Element type: Halogen

Life of lamp: Approximate maximum 5000 hours

Dimensions: H29cm x Dia41cm

Net weight: 2.75kg



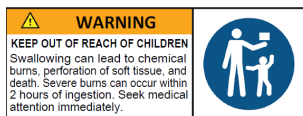
These instructions form part of this appliance. Please be sure to read them before use and keep for future reference. This product is for domestic use only and should not be used commercially or for contract purposes.

Produced in PRC for La Hacienda Ltd
Hangar 27, Site C, Aston Down Airfield, Nr Stroud, Glos, GL6 8HR, UK
www.lahacienda.co.uk

Care and safe use guidelines

SAFETY INFORMATION

- Product labels, warnings and rating plates affixed with adhesive or other permanent means must never be removed; doing so will invalidate the product's regulatory compliance and its warranty.
- The integral plug(s) of this appliance must not be cut off or modified for any purpose including: extending the cable length, wiring directly into an electrical spur, or modification of any type. Doing so may cause electrical safety or fire hazards and thereby invalidate the product warranty.
- Caution - some parts of this appliance can become very hot and cause burns. Particular attention must be given where children and vulnerable people are present.
- Do not use this heater in the immediate surroundings of a swimming pool, hot tub, pond or any vessel containing water.
- Children of less than 3 years should be kept away unless continuously supervised.
- Children aged from 3 years and less than 8 years shall only switch on/off the appliance after it has been placed or installed in its intended normal operating position. Additionally, they shall have been given supervision or instruction concerning use of the appliance in a safe way, and understand the hazards involved.
- Children aged from 3 years and less than 8 years shall not plug in, regulate and clean the appliance or perform user maintenance.
- Ensure any person operating the heater has the capability to do so without risking injury to themselves or others. Do not use this heater with a programmer, timer, separate remote-control system or any other device that switches the heater on automatically, since a fire risk exists if the heater is covered or positioned incorrectly.
- Do not move the unit when in use. Wait until the heater is completely cool before moving and check that it has been unplugged from the electrical socket.
- Never connect this appliance using a multi-way socket extender, plug expander or travel plug adaptor, etc.
- Never jolt or drop this appliance: doing so can cause glass heat bulb(s) to crack and fail violently.



BATTERY WARNING: The remote-control handset included with this appliance incorporates a lithium coin cell battery. If this battery is changed or removed, it must be stored out of the reach of children.

POSITIONING THE APPLIANCE

- This appliance is designed and intended for outdoor use only.
- This appliance contains hot and arcing components inside. Do not use in areas where petrol, paint, explosive and/or flammable liquids are used or stored.
- This appliance must NOT be located:
 - immediately below an electrical socket outlet;
 - within close proximity (1m) of any combustible materials e.g. furniture, trees, leaves, dry grass and bushes, etc;
 - with the heating element facing upwards;
 - where the cable could cause a trip hazard.
- This appliance must be located at least 1.8m from the ground, and:
 - at least 0.25m away from a ceiling, or overhanging joists, etc;
 - suspended in a stable orientation using the support linkage provided, according to the Assembly Instructions.
- This appliance must be switched off and allowed to cool before moving, repositioning or changing the orientation.

ELECTRICAL EXTENSION LEADS

- If it is necessary to use an extension lead to connect this appliance, be sure that it meets the following specification:
 - Tested and manufactured to BS 1363-2, or equivalent national Standards for electrical plug/sockets.
 - Rated at 13A, 240 Volts, 3kW or higher
 - IP rated to IP54 or higher
 - Single socket extender only
- To protect against electric shock, it is recommended to connect a Residual Current Device (RCD) between the extension cable's plug and the wall mains socket.
- Ensure that the extension lead is fully unwound from its cable tidy or reel, before connecting any heating appliance.
- Never connect more than one extension lead in line with a heating appliance.
- Never use an extension lead in wet conditions, in rain or whilst using a hose pipe.

MAINTENANCE & STORAGE

- Switch off then unplug this appliance before cleaning.
- Clean only with a soft damp cloth, and mild detergent if necessary; allow to dry naturally before re-connecting the mains plug. Do not use any abrasive substance or cloth for cleaning as this could damage the surface of the appliance.
- Avoid touching the heating element as finger marks will cause its premature failure. Any inadvertent finger marks should be wiped off using a soft cloth and methylated spirit or isopropyl alcohol.
- This appliance contains no user-replaceable parts. Seek the services of a certified electrician to replace the bulb/element if necessary.
- Do not leave this appliance outdoors overnight or when not in use. Store in a clean, dry environment free from moisture and above 0°C.

DISPOSAL



This symbol means that used electrical and electronic equipment (WEEE) should not be mixed with general household waste. For proper treatment, recovery and recycling, please take this product(s) to designated collection points where it will be accepted free of charge. Please contact your local authority for further details of your nearest designated collection point.

Parts List

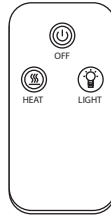
1 (x1)



2 (x1)



3 (x1)



Prior to assembly, read the instructions carefully. Check all parts against this parts list. Carry out assembly on a soft surface to avoid scratching the paint. Please retain this information for future reference.

Assembly Diagrams

Diagram A

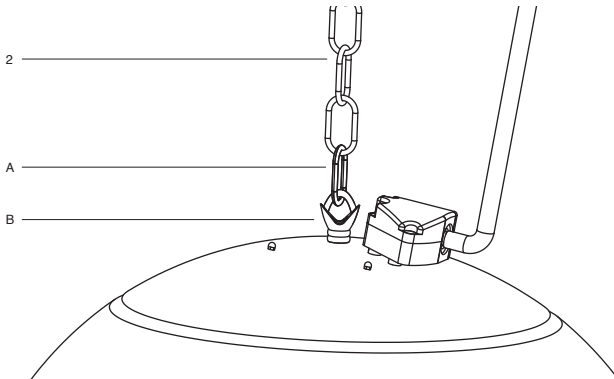
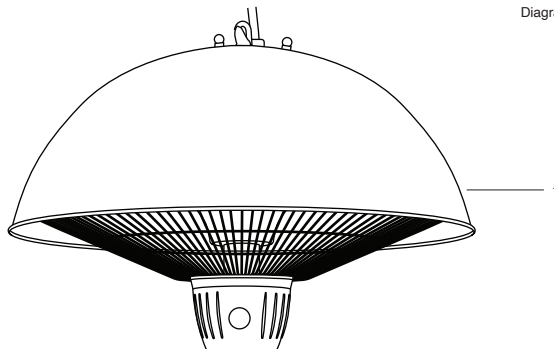


Diagram B



Assembly Instructions

IMPORTANT! - Remove any packaging before use, but retain the safety instructions and store them with this product.

- STEP 1 - Take chain link (2) and attach chain clip (A) on to the loop (B) at the top of the heater.
- STEP 2 - Attach chain clip (A) on to the ceiling hook (not included).
- STEP 3 - To adjust the height of the heater, lift the unit and locate the desired chain link (B) over the ceiling hook (not included).
- STEP 4 - Tie up power cord by using the plastic cable ties. Ensure the power cord DOES NOT make contact with the heater cover.

The product is now ready to use but please ensure you have read these instructions thoroughly prior to use.

Operating The Appliance

- To operate, ensure the unit is plugged in to the correct power supply
- Press the ON/OFF switch on the appliance or the remote (3).
- Use the LED button on the remote (3) to activate LED setting.
- Use the HEAT button on the remote (3) to activate HEAT setting.
- Use the OFF button remote (3) to turn both the heat and LED setting off.