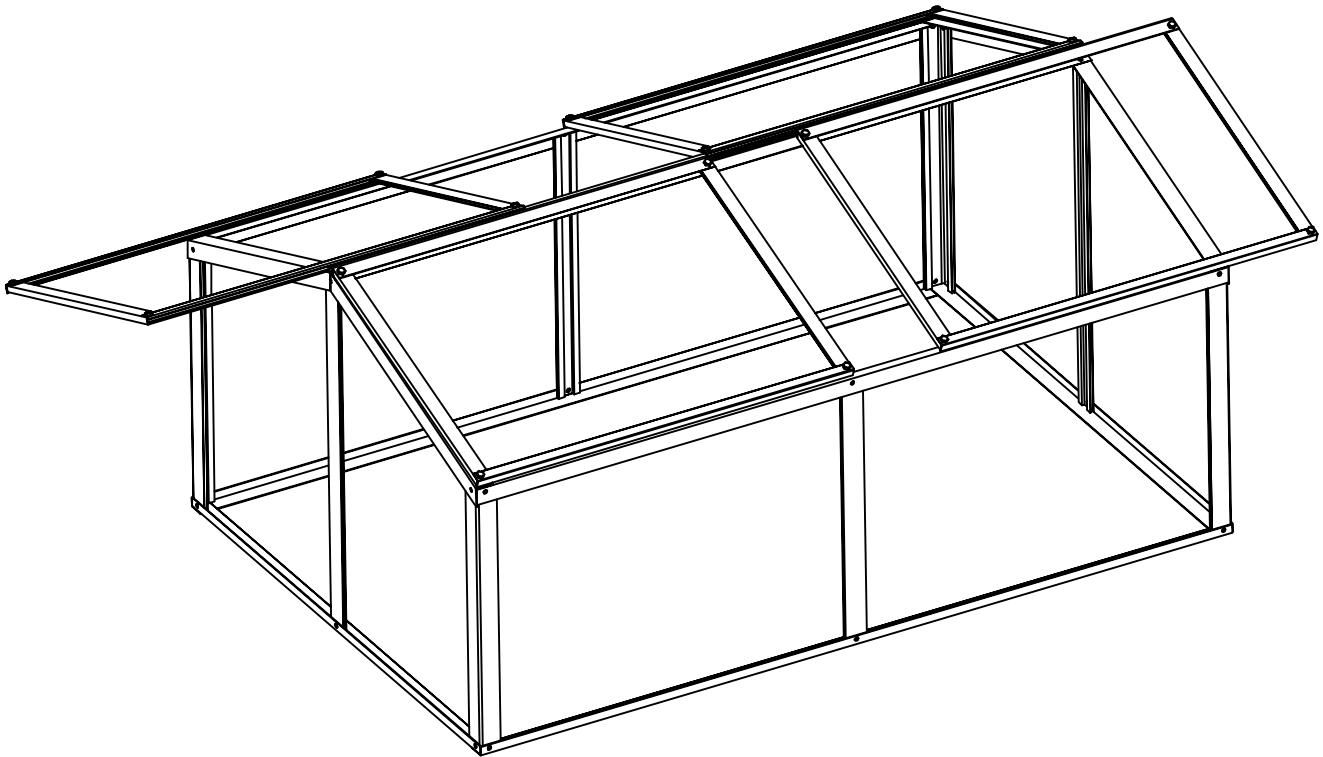


Double Cold Frame

Assembly Instruction



MODEL:SO1019

PRODUCT SIZE(LxWxH):1290X868X601MM

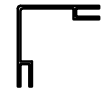
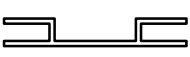








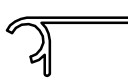



PLEASE READ CAREFULLY BEFORE ASSEMBLY

Customer Service Department

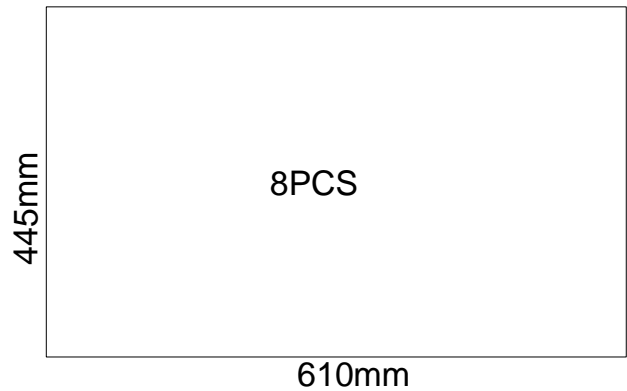
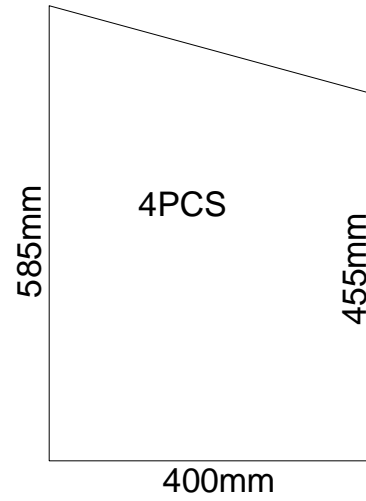
P.O. BOX 947,AYLESFORD,KENT ME20 7RT,UK

Tel: +44 (0) 1622 791234

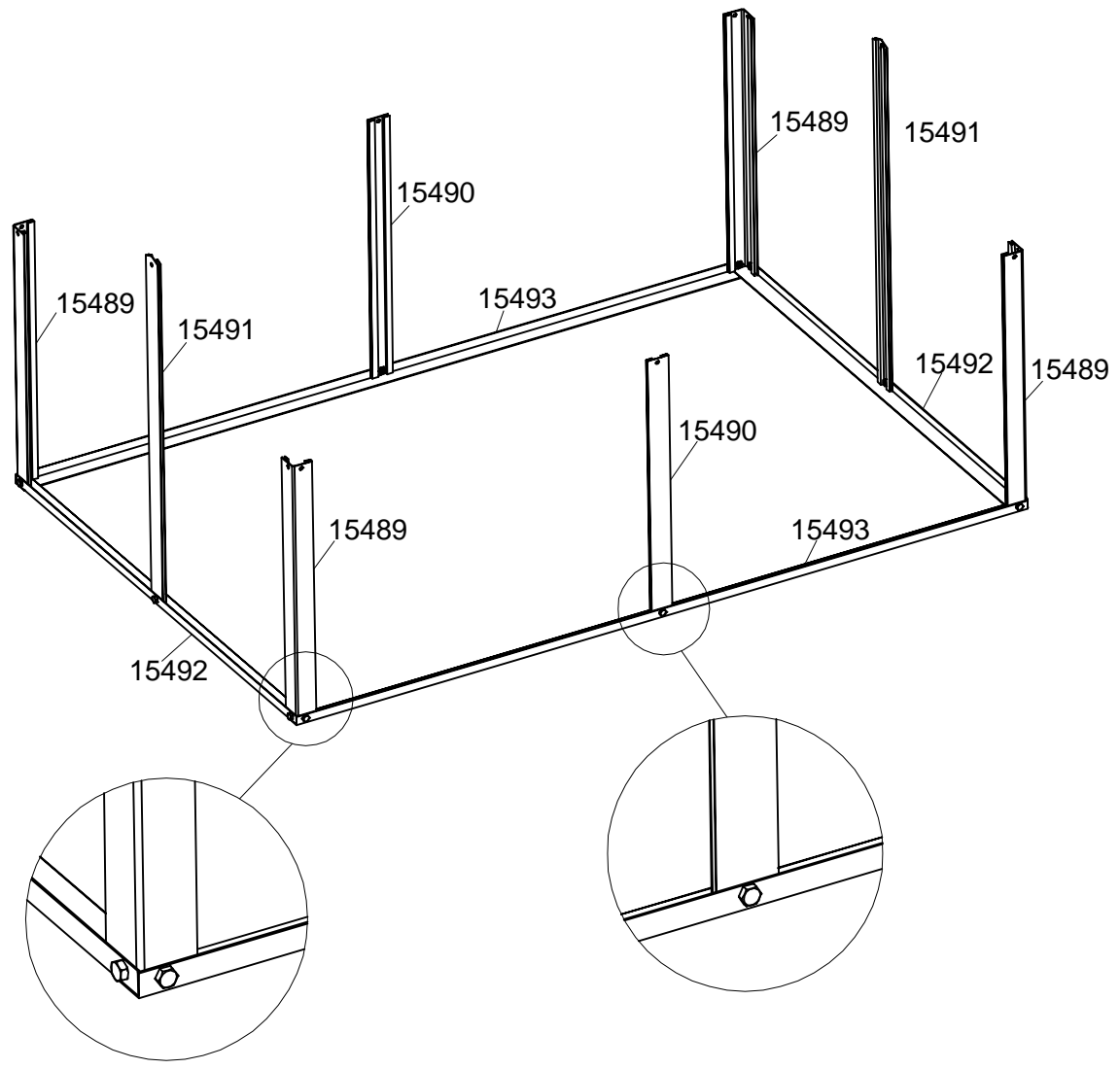
Fax: +44 (0) 1622 791060

Part NO.	Part	QTY.
15489		4
15490		2
15491		2
15492		2
15493		2
15494		2
15495		2
15496		2
15576		4
15497		1
15498		4
15499		8
22525		40
22532		40

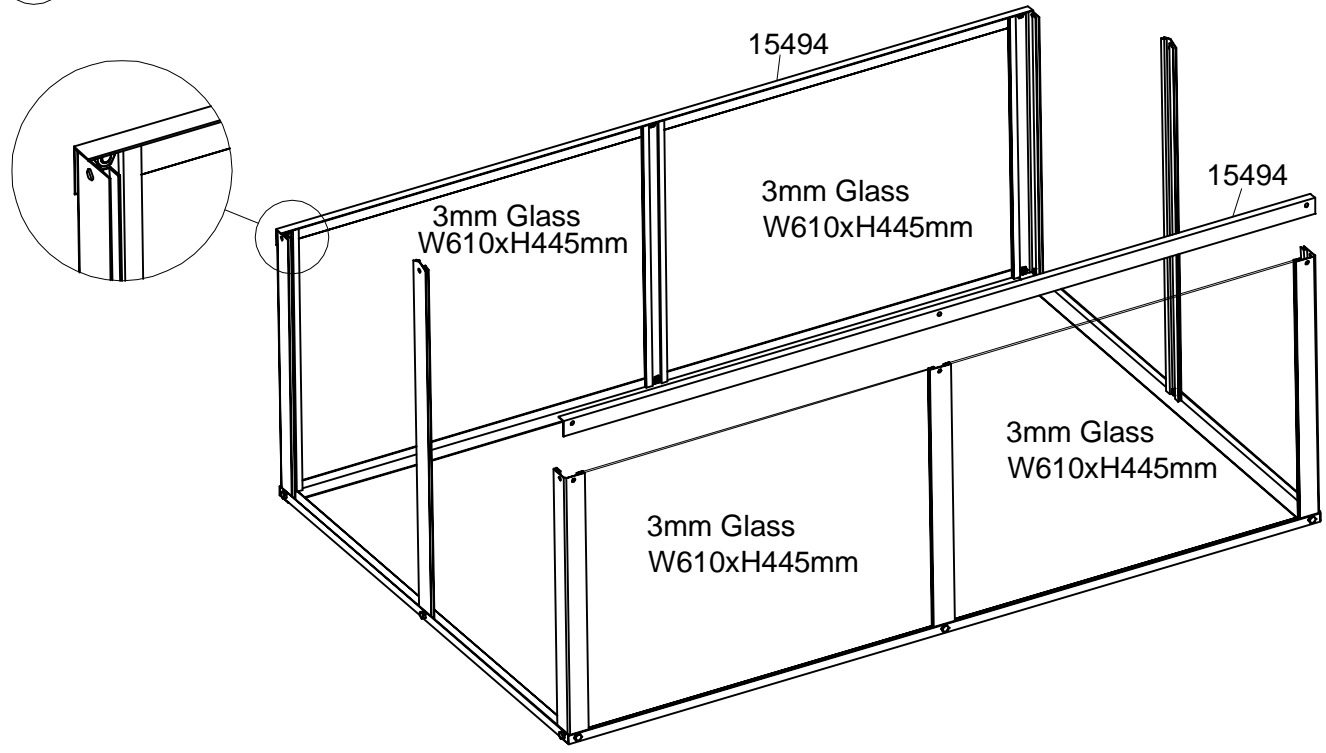
3mm Glass



1

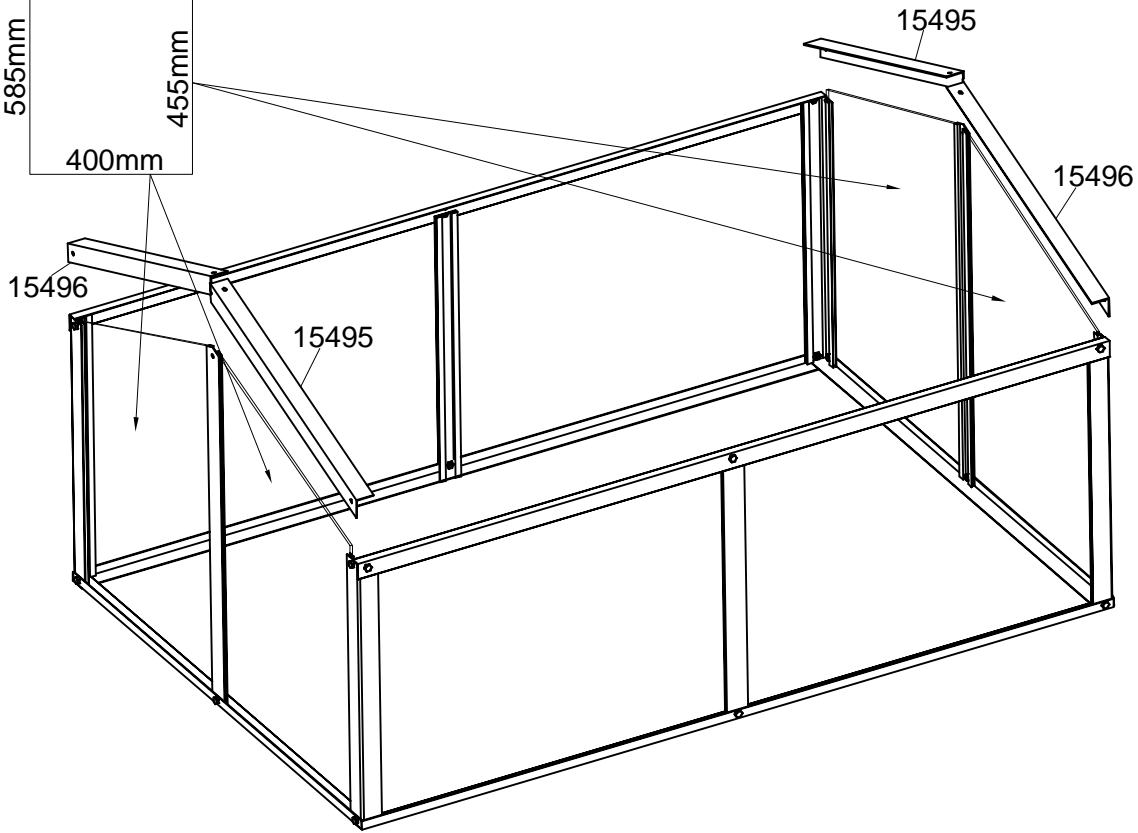
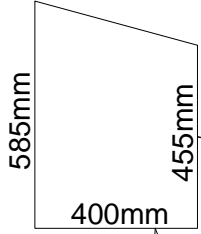


2

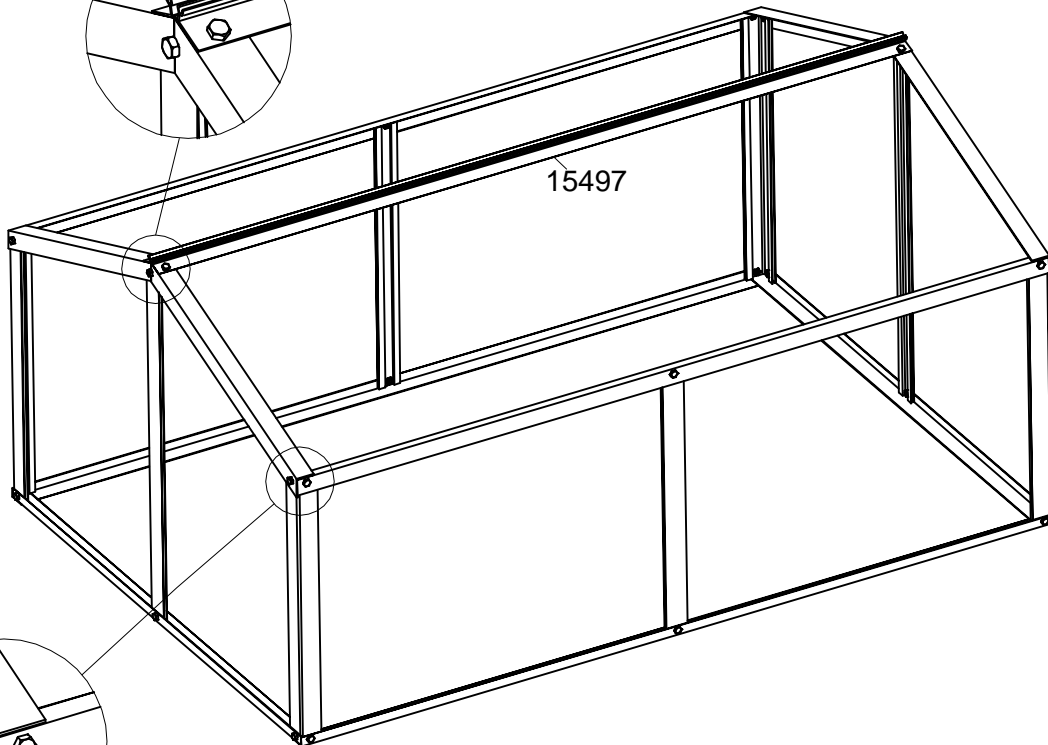
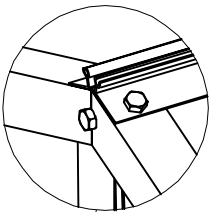


3

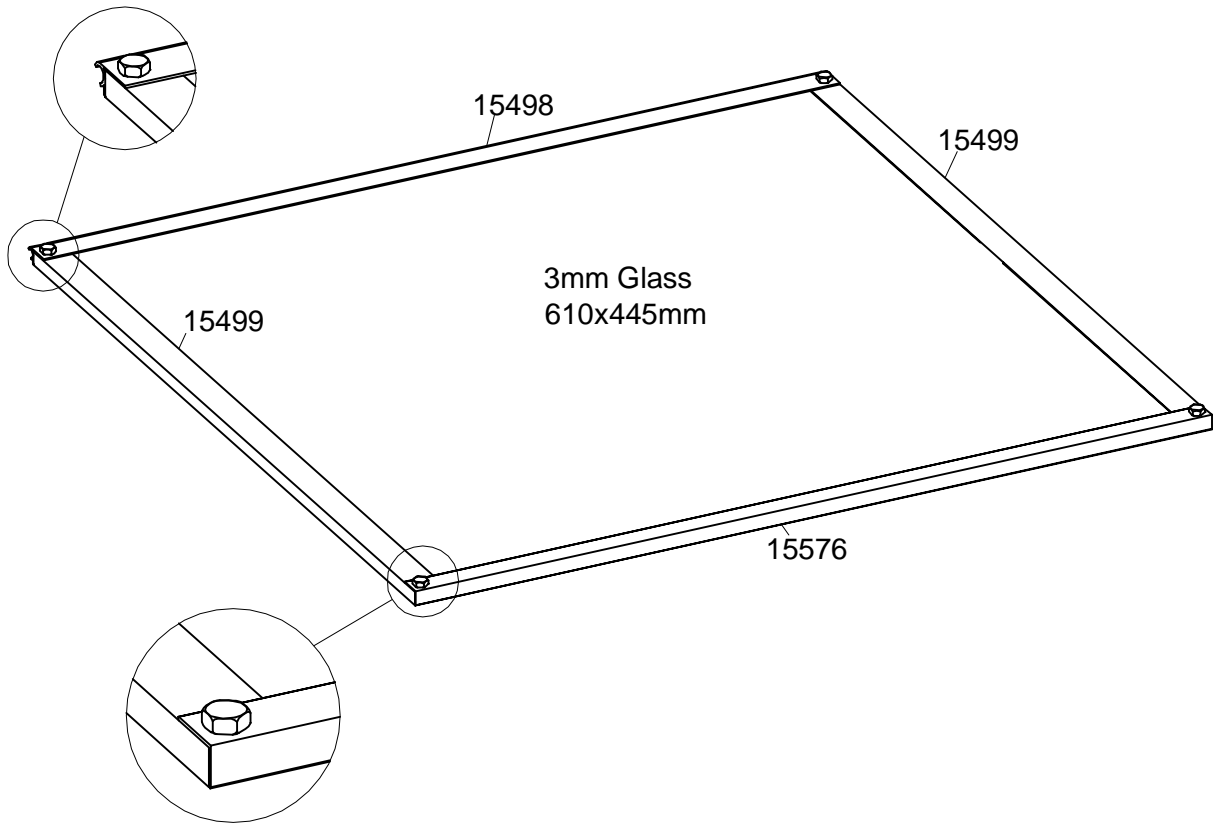
x4PCS



4



5



6

