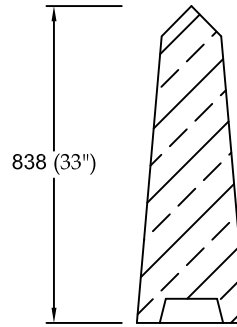
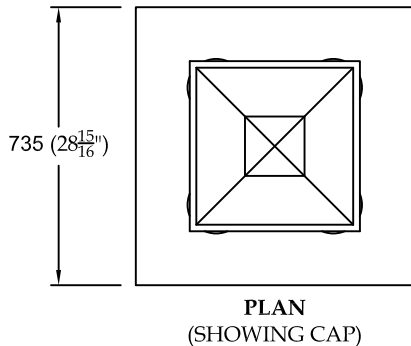
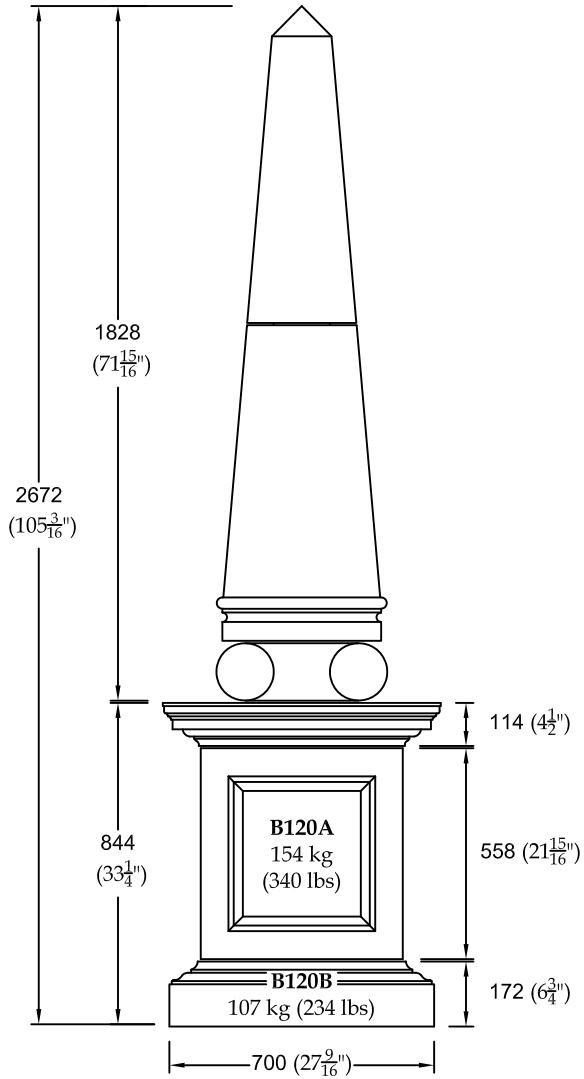
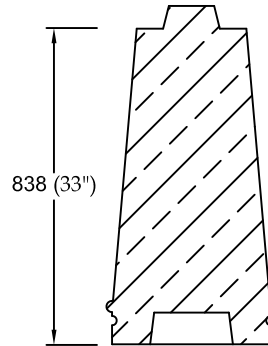




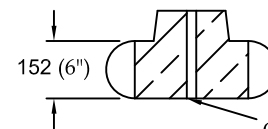
OBELISK E550



E550A
71 kg (157 lbs)



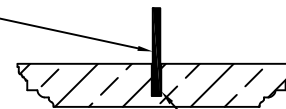
E550B
201 kg (443 lbs)



E550C
28 kg (62 lbs)

X730A Ø20mm ($\frac{13}{16}$ "") stainless steel dowel 230mm ($9\frac{1}{16}$ "") long (supplied)

Ø25mm (1"") hole for stainless steel dowel



SECTION

E550D
95 kg (209 lbs)

Ø25mm (1"") hole 85mm ($3\frac{3}{8}$ "") deep for stainless steel dowel

Dowel should be grouted with a proprietary polyester or epoxy adhesive.

POINTING - Joints should be pointed using our proprietary dry mix pointing material in accordance with the recommended instructions. Please advise your requirements for dry mix, if any, at time of placing order. Or use 1:1:6 cement/lime/sand colour-toned to suit (white cement may be necessary).

BEDDING JOINTS - Use 1:1:6 cement/lime/sand mortar.

It is essential that the pedestal base is levelled on a continuous mortar bed

Foundations designed by others to suit site conditions and loadings

All dimensions exclude joints - allow 6mm ($\frac{1}{4}$ "") for bedding joints
Unless otherwise stated, all materials other than stonework to be supplied by others