

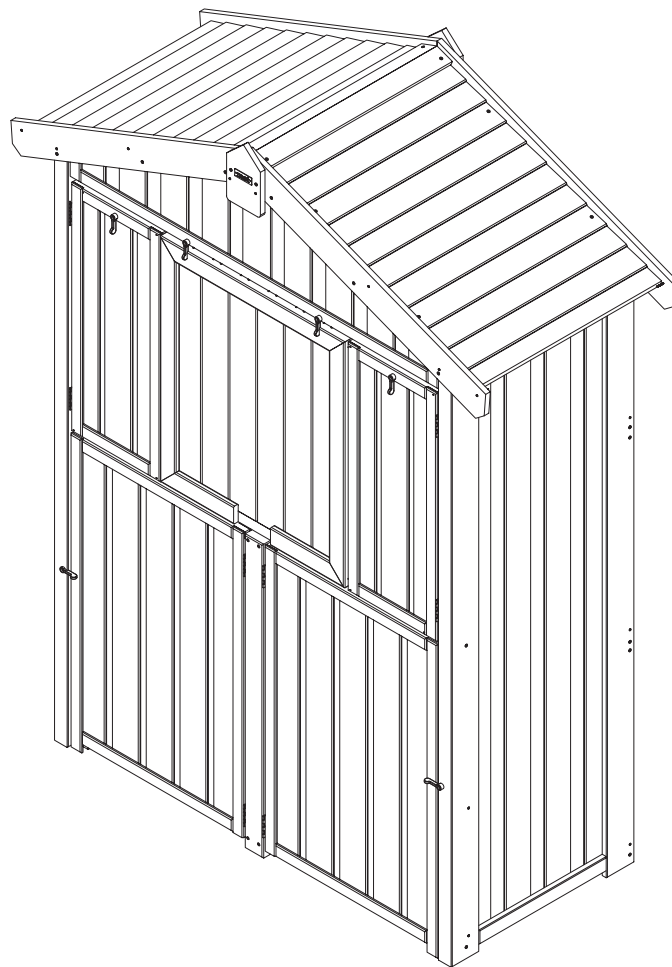


Assembly Instructions

Garden Bar

Code: 31304

VI



(W x D x H) 1.54m x 0.67m x 2.05m



ONLINE ASSEMBLY VIDEO AVAILABLE

Please scan the QR code or visit zestoutdoorliving.co.uk/assembly-search



PLEASE KEEP THESE INSTRUCTIONS



Every Zest product is unique because each piece of timber has its own distinctive, natural features.

Zest sources all of its timber from responsibly-managed forests and everything it designs and produces meets the highest standards of sustainability. Zest ensures that all timber and timber-related products are certified to Forestry Stewardship Council (FSC®).

This is vital not only for the health of the planet, but also shows Zest's commitment to the environment and to responsible sourcing. Timber is a natural material and, as such, will fit beautifully within any outdoor space. This also means that all Zest pieces are unique because every piece of timber has its own distinctive features.



Natural and Unique...

Changes in temperature and humidity will cause expansion and contraction so Zest products need time to adjust to where the owners live. A few splits or cracks are part of the maturing process and will not affect strength or durability. Knots embedded in the wood are natural and tell the story of the tree which made them. Customers may notice variations in colour but, once out in the garden and exposed to the sun, colour and shading will even out.

Most Zest products are pressure treated which protects the timber from rot and means customers will be able to enjoy the products in their garden for many years.

Fresh pressure treatment sometimes leads to a small amount of green-spotting on the surface of new timber as the natural salt leaves the wood. This will fade away over time and is in no way detrimental to quality or durability.

Splits and cracks occur naturally in the timber grain due to changing temperatures and humidity levels. They are not usually a cause for concern as they don't affect the strength or durability of the product. If however, a 2p coin can fit into the split or crack there may be an issue so it should be reported to the retailer in writing with photographic evidence.

The benefits of slow grown timber

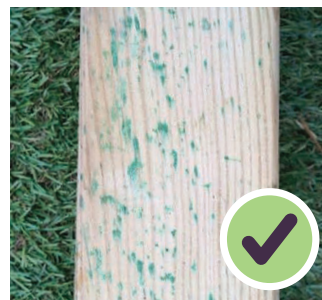
“ Slow grown timber from Eastern Europe is ideal for timber garden furniture. It produces a stronger grain in the wood giving it more durability and is said to be as strong as some hard woods. ”



Normal splits are characteristics of timber.



Knots are characteristics of timber.



Sun Bleaching & Green Spotting are not causes for concern and they will fade over time when items are placed outdoors.



Should you find a large split or dead knot, please email a photo to your retailer for investigation.

Product Assembly Instructions

Requires 2 Person assembly

Tools required: Corded / Cordless Drill, Pozi-drive Bit / Screwdriver,
3mm & 4mm Drill Bit required in order for you to drill all screw holes before construction.

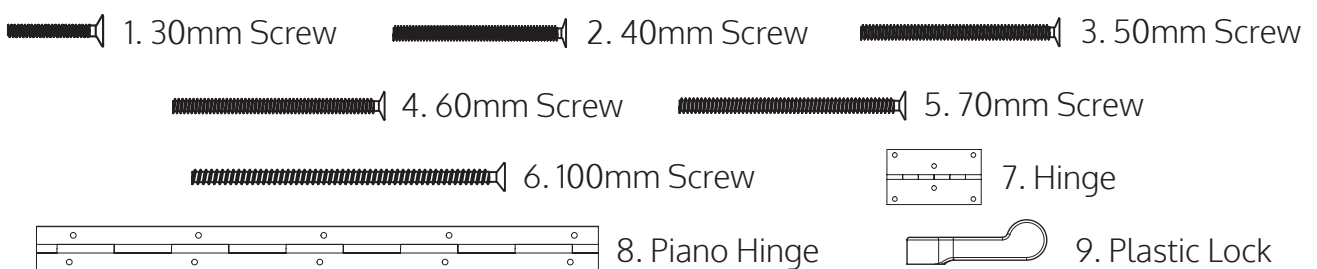
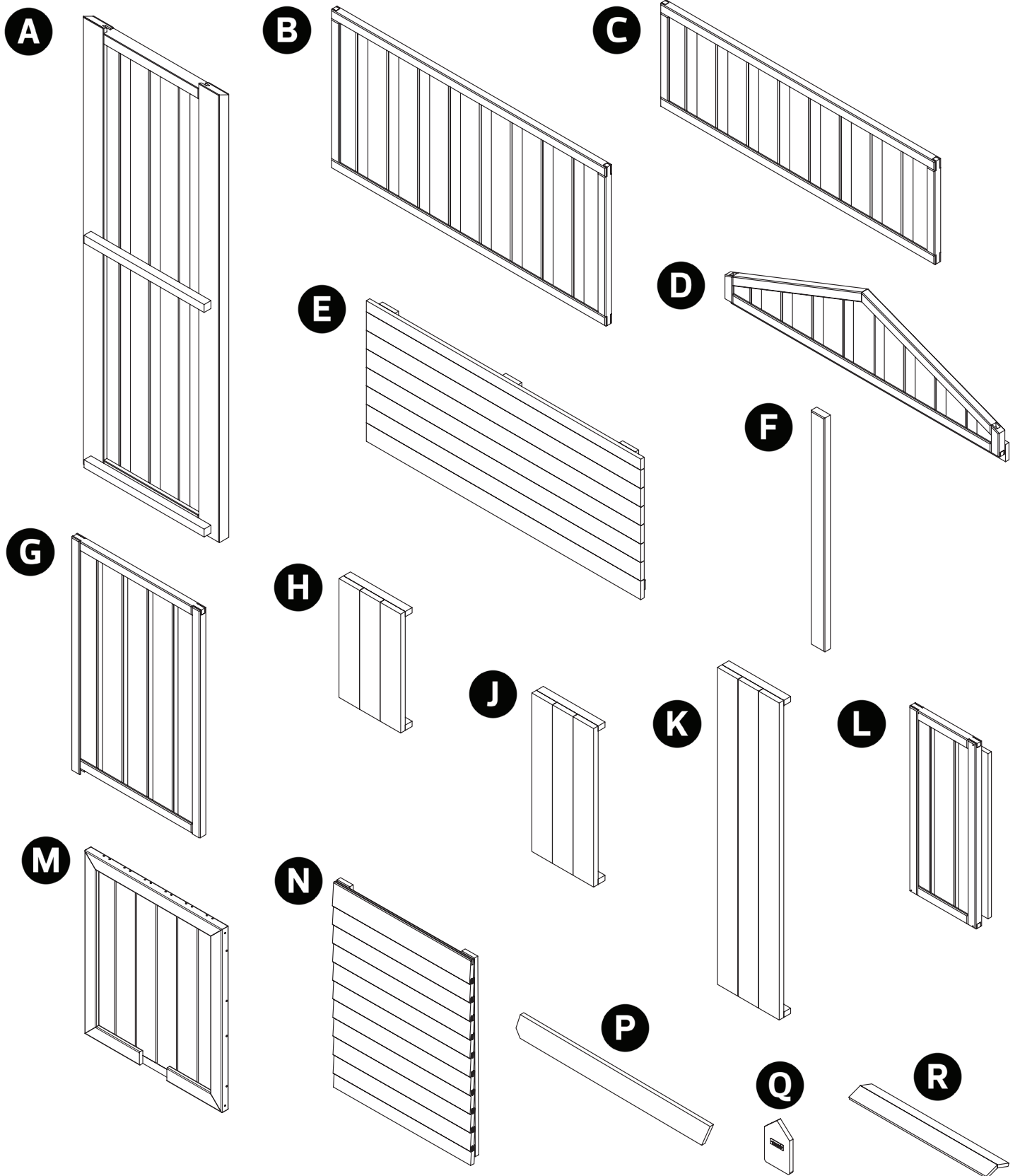
We advise the product is situated on firm level ground and anchored to the ground or wall with suitable fixings (not supplied).

Please take a few moments to check all pack contents listed

Garden Bar Pack List			
Part Code	Item	Description	Quantity
35429	A	Side Panel	2
35430	B	Back Panel Large	2
35431	C	Back Panel Small	1
35432	D	Top Panel	2
35433	E	Base Panel	2
35434	F	Centre Brace	1
35435	G	Bottom Doors	2
35436	H	Shelf Sides	2
35437	J	Middle Shelf	1
35438	K	Top Shelf Assembly	1
35439	L	Small Doors	2
35440	M	Table Door	1
35441	N	Roof Panel	2
35442	P	Roof Facias	4
35443	Q	Finial	2
35444	R	Roof Cap	1

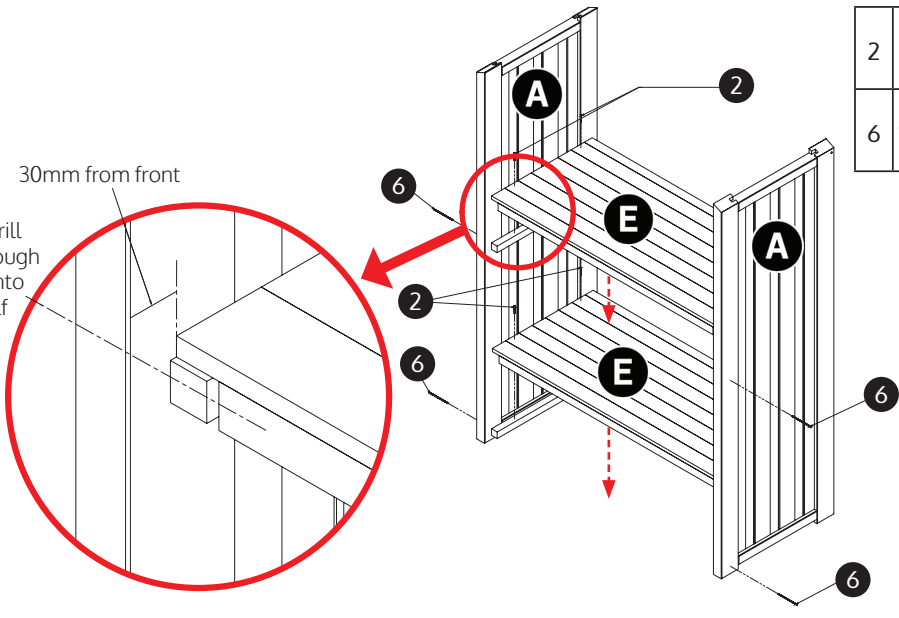
Code - 35445			Fixings List
Item	Description	Quantity	
1	30mm Screw	66	
2	40mm Screw	42	
3	50mm Screw	14	
4	60mm Screw	4	
5	70mm Screw	20	
6	100mm Screw	4	
7	Hinge	8	
8	Piano Hinge	1	
9	Plastic Lock	6	


This product is made from pressure-treated timber. It should not be painted or coated with any other treatment until at least 6 months after purchase



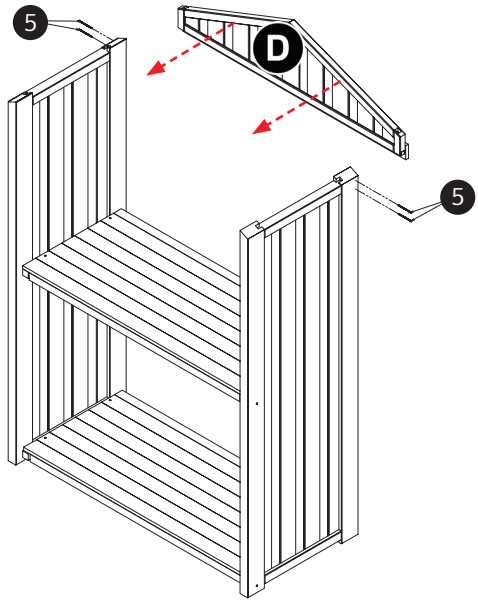
1

30mm from front
Pre-drill
M4 through
side into
shelf

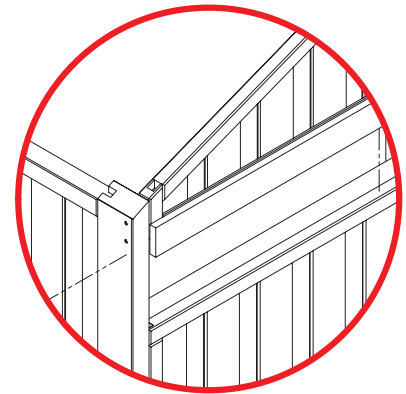


2	40mm Screw		x8
6	100mm Screw		x4

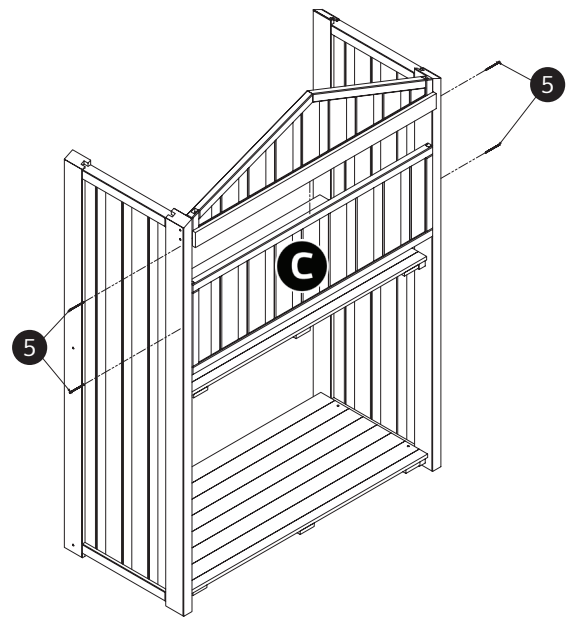
2



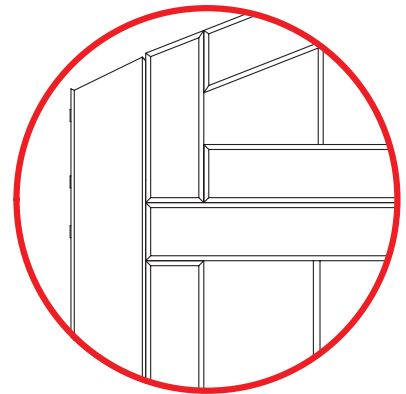
5	70mm Screw		x4
---	------------	---	----



3

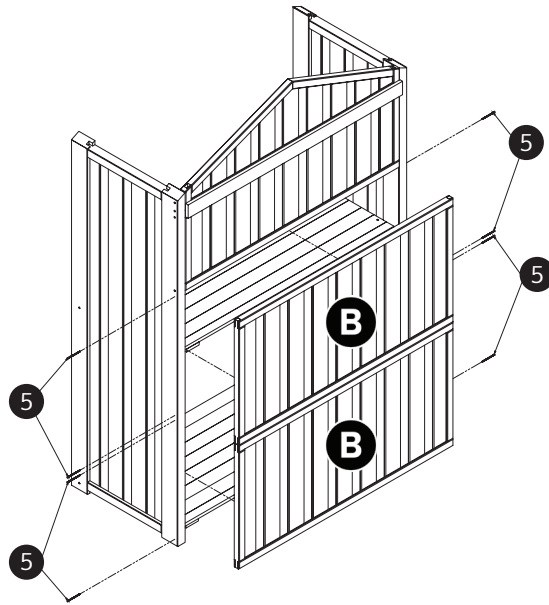


5	70mm Screw		x4
---	------------	---	----



Front View

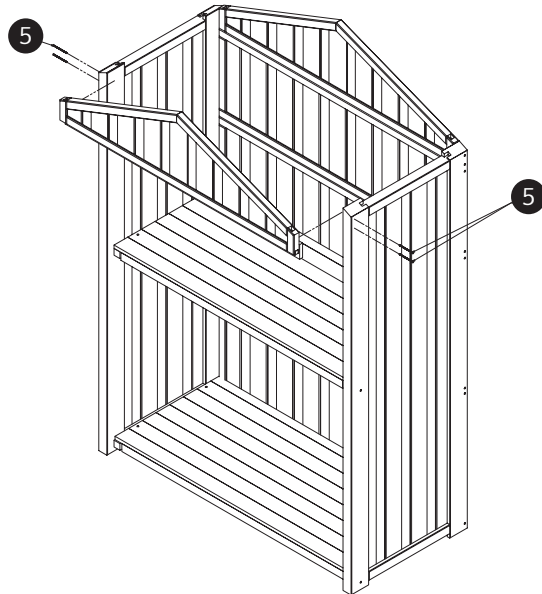
4



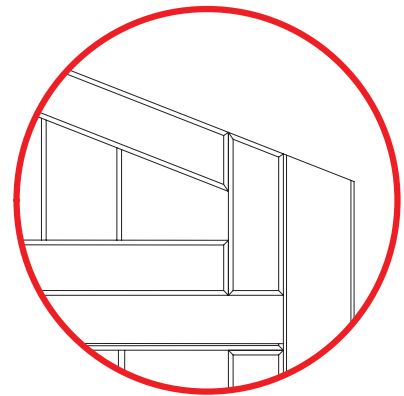
5	70mm Screw		x8
---	------------	---	----

TIP: If struggling to fit Back Panels, take out rear screw in the Parts E (Step 1) to loosen back

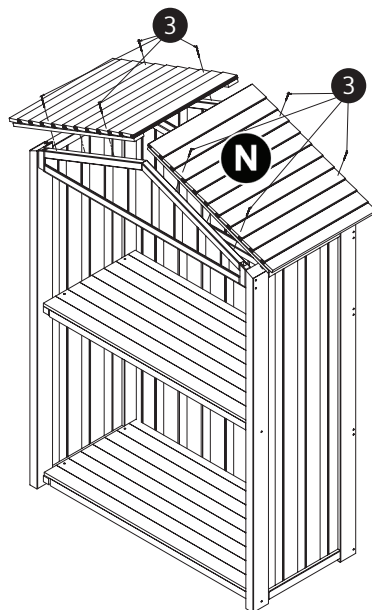
5



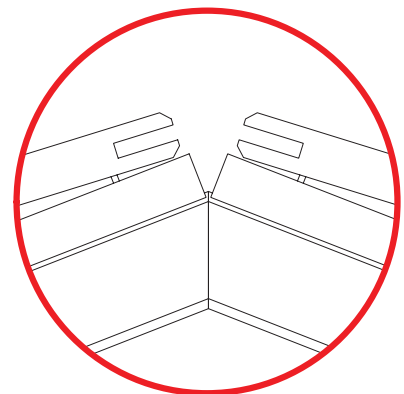
5	70mm Screw		x4
---	------------	---	----



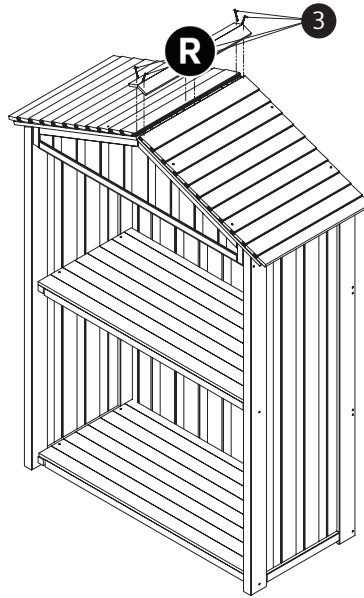
6



3	50mm Screw		x8
---	------------	---	----

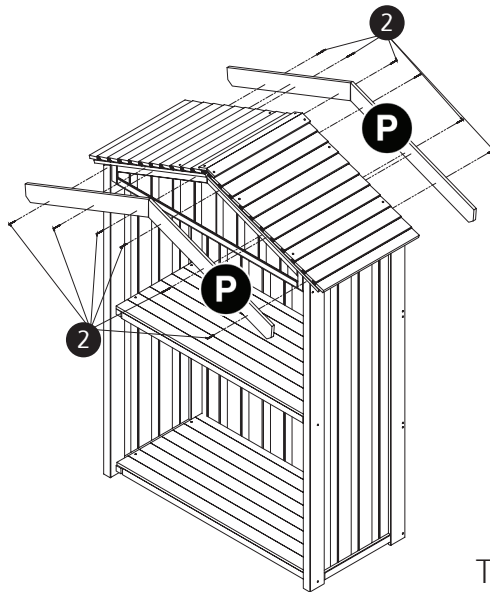


7

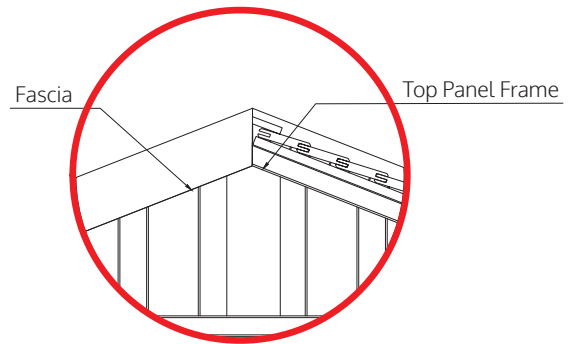


3	50mm Screw		x4
---	------------	---	----

8

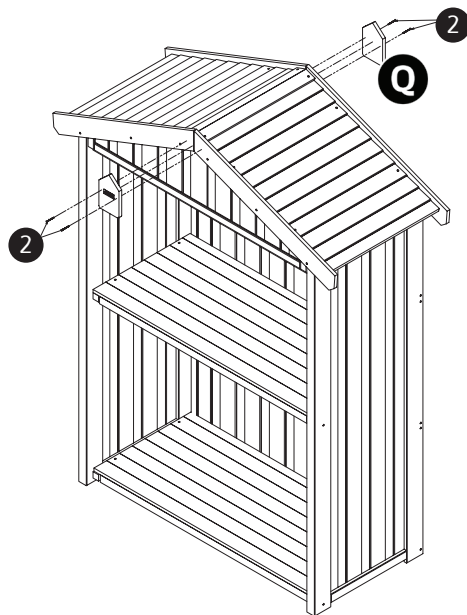


2	40mm Screw		x12
---	------------	---	-----



TIP: Align Fascia Board with Top Panel frame

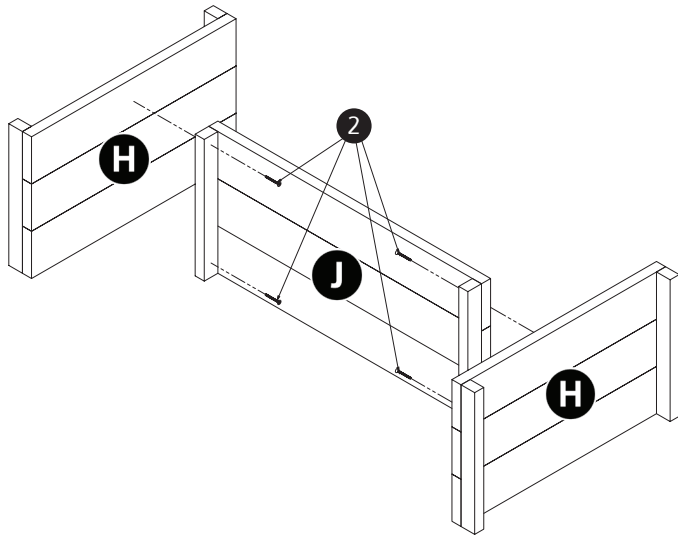
9



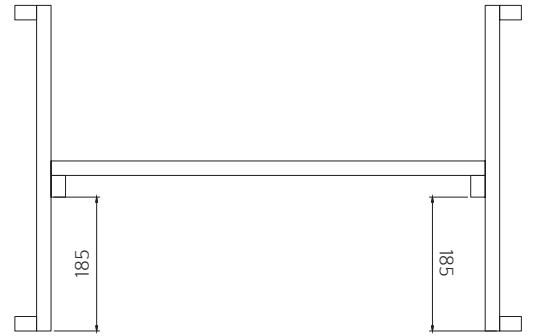
2	40mm Screw		x4
---	------------	---	----

Now position the Garden Bar into its final location

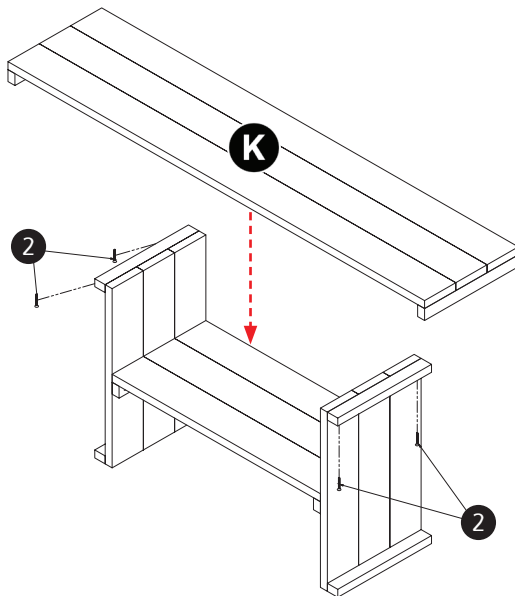
10



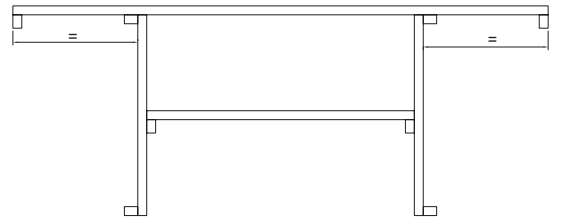
2	40mm Screw		x4
---	------------	---	----



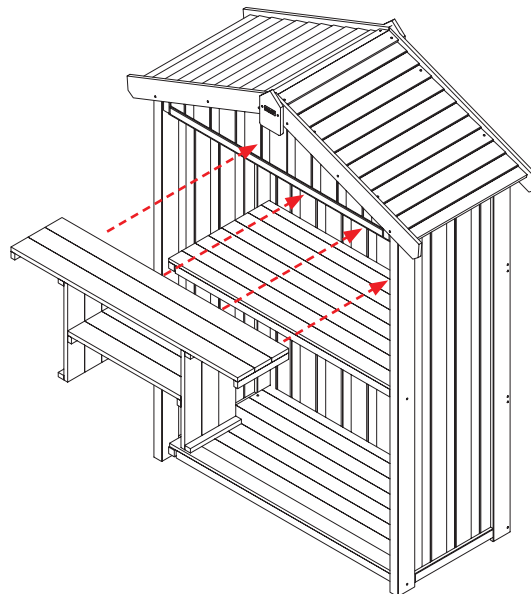
11



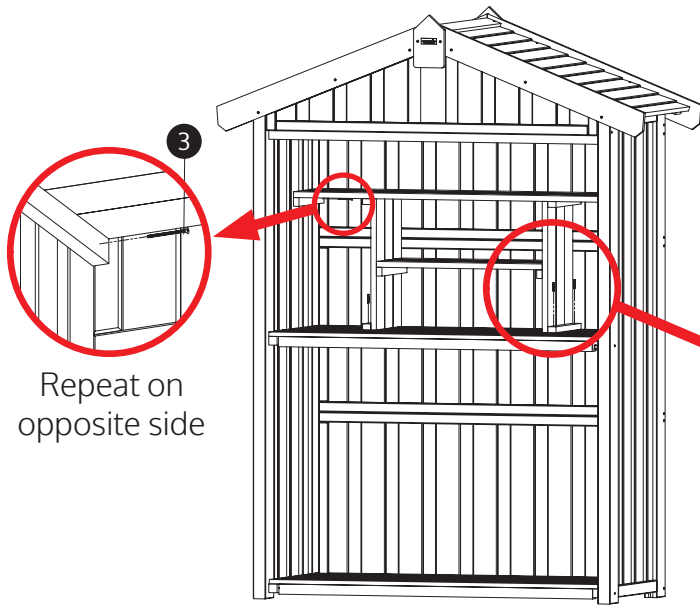
2	40mm Screw		x4
---	------------	---	----




12



13

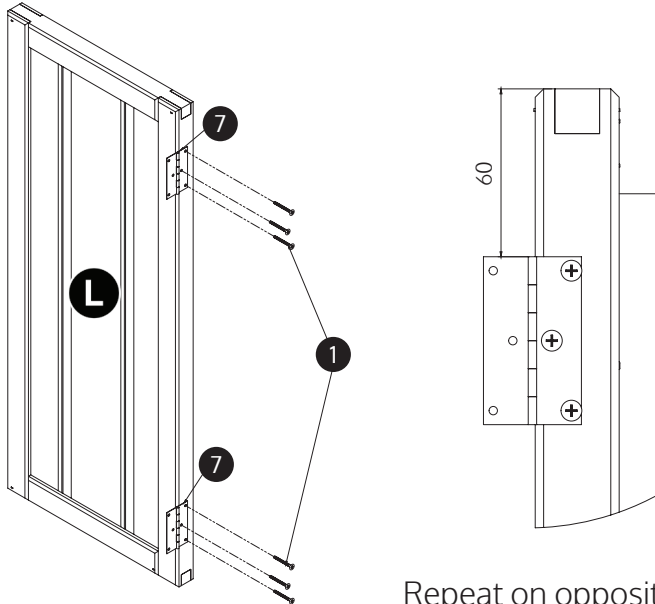



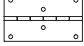
2	40mm Screw		x4
3	50mm Screw		x2

Repeat on opposite side

Repeat on opposite side

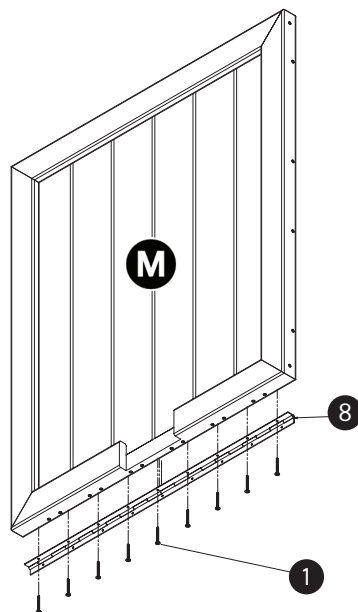
14





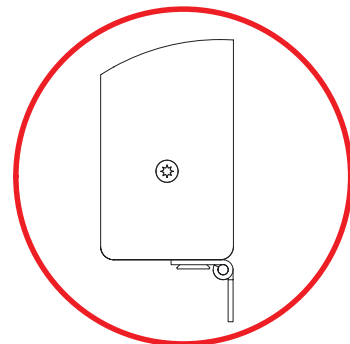
1	30mm Screw		x12
7	Hinge		x4

Repeat on opposite side

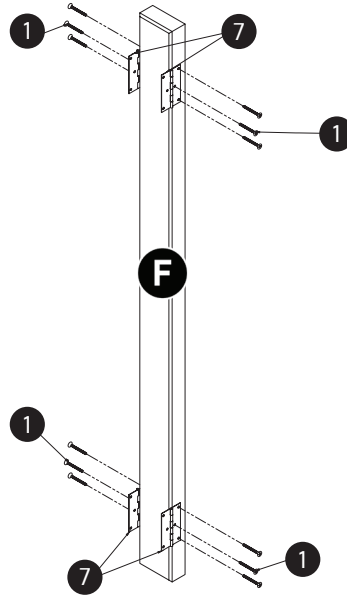
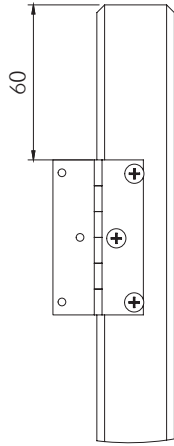
15


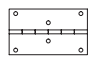


1	30mm Screw		x9
8	Piano Hinge		x1

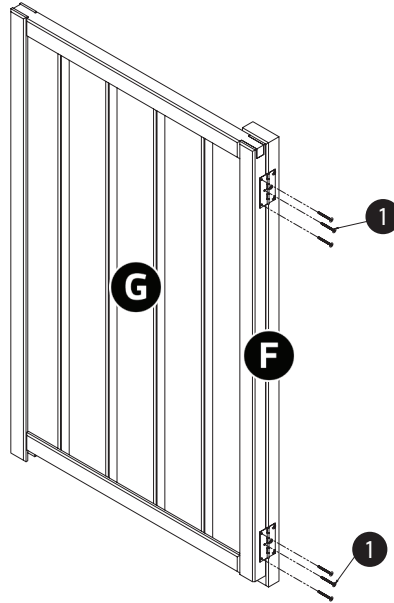


16



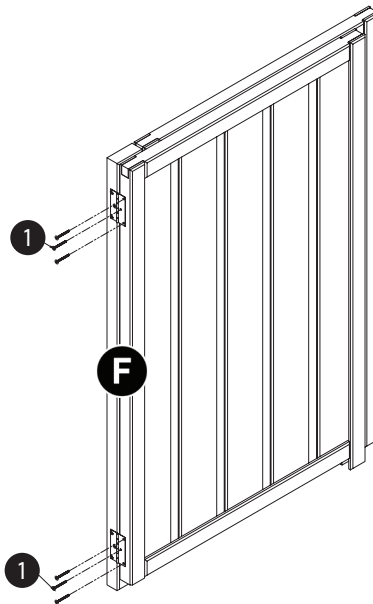
1	30mm Screw		x12
7	Hinge		x4

17



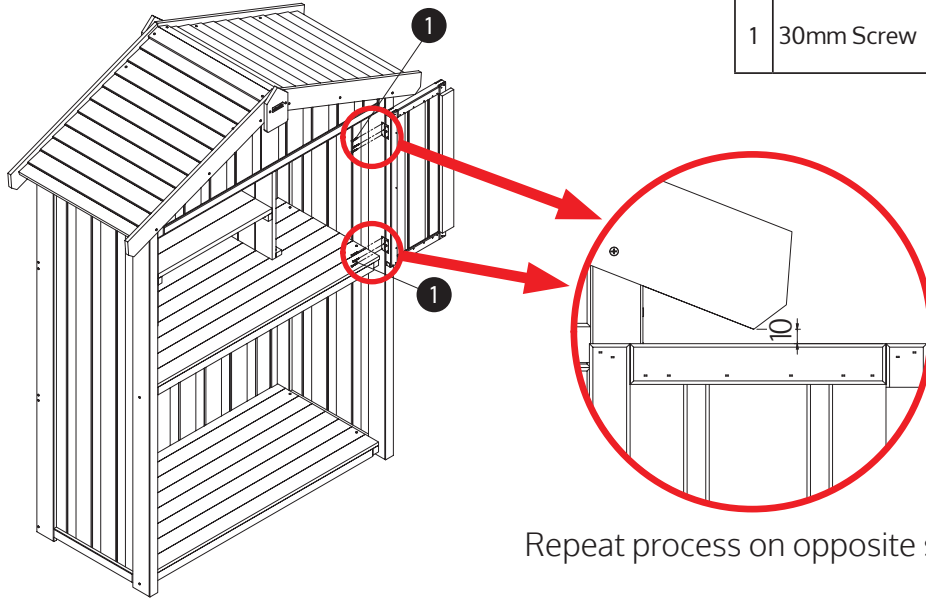
1	30mm Screw		x6
---	------------	---	----

18



1	30mm Screw		x6
---	------------	---	----

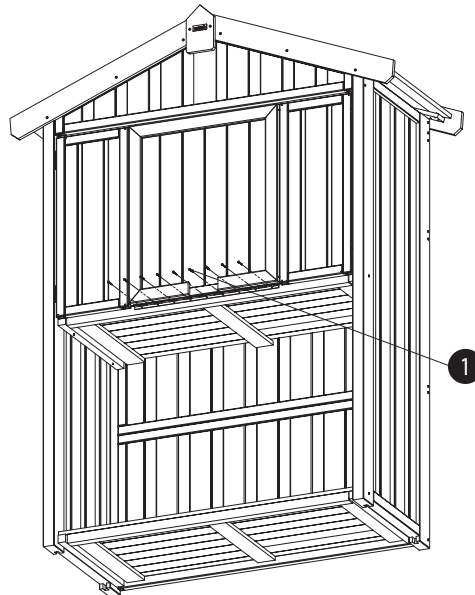
19



1	30mm Screw		x12
---	------------	---	-----

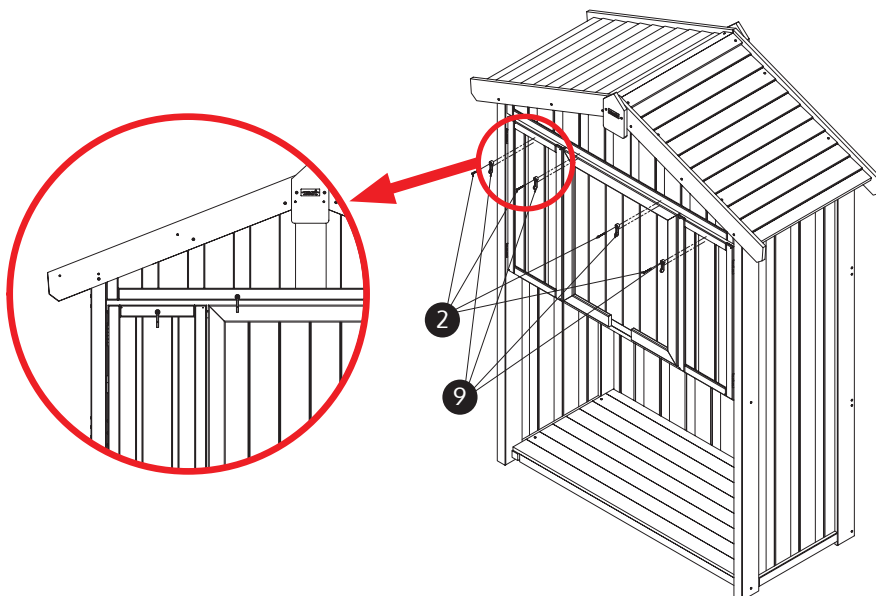
Repeat process on opposite side



20



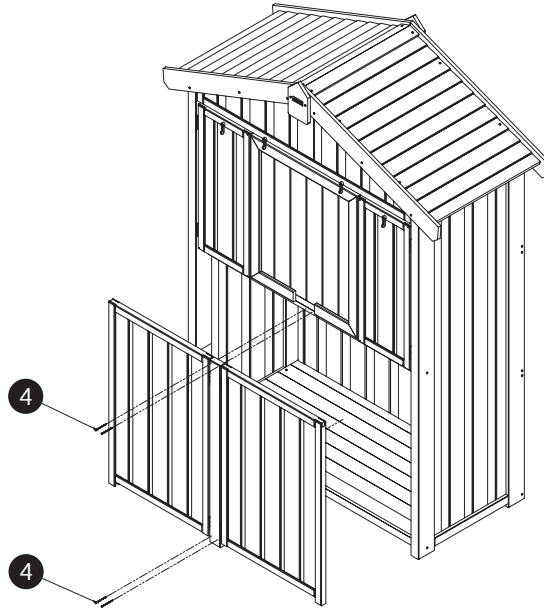
1	30mm Screw		x9
---	------------	---	----

21



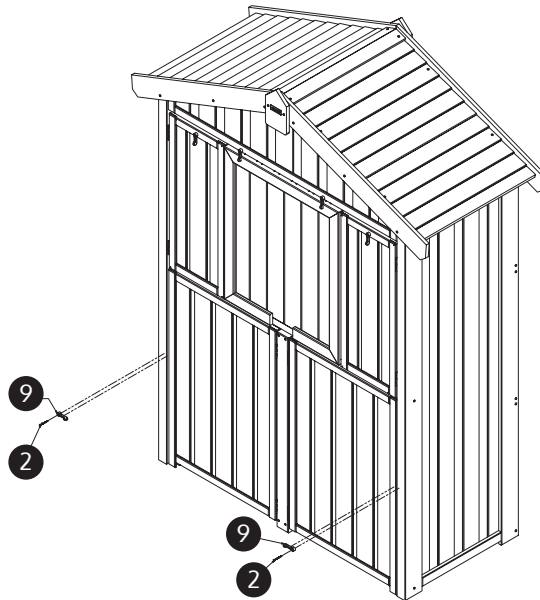
2	40mm Screw		x4
9	Plastic Lock		x4



22



4	60mm Screw		x4
---	------------	---	----

23

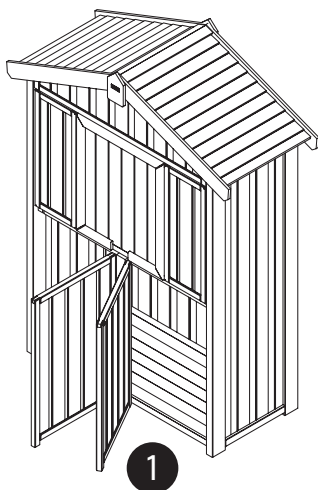


2	40mm Screw		x2
9	Plastic Lock		x2

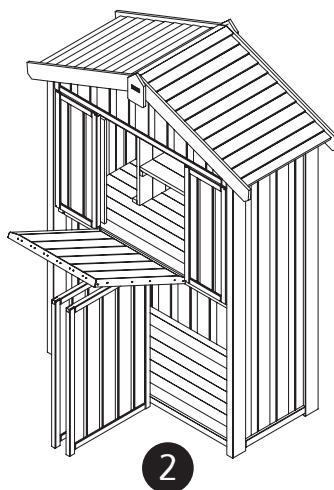
Your Product is now complete.

OPERATION

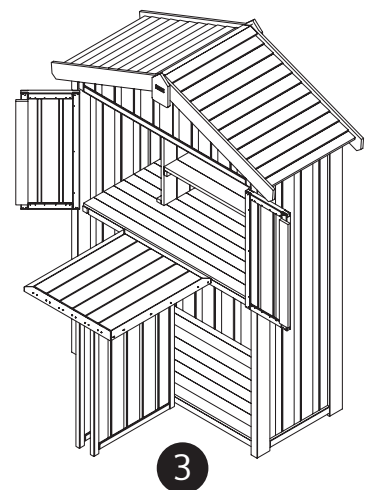
NOTE: Periodically check and tighten screws on moving parts



1 Open lower doors first



2 Fold down bar door



3 Fold back side doors and fix with clip

Cover available as optional extra at www.zestoutdoorliving.co.uk (Product number SKU:00371)