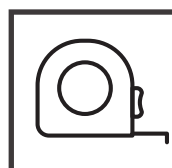


# LIVING SCREEN PLANTER

## INSTRUCTIONS

We recommend using the following tools (not supplied):



Tape Measure



Pozidrive  
Screwdriver



Drill & 2-3mm  
Drill Bits

**FIXING PACK CONTAINS:**  
FIXING PACK CODE: LIVSCRPLANTFP

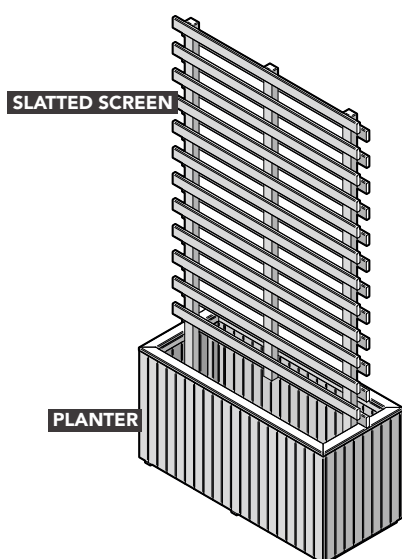


4x50mm Screws  
QTY: 4

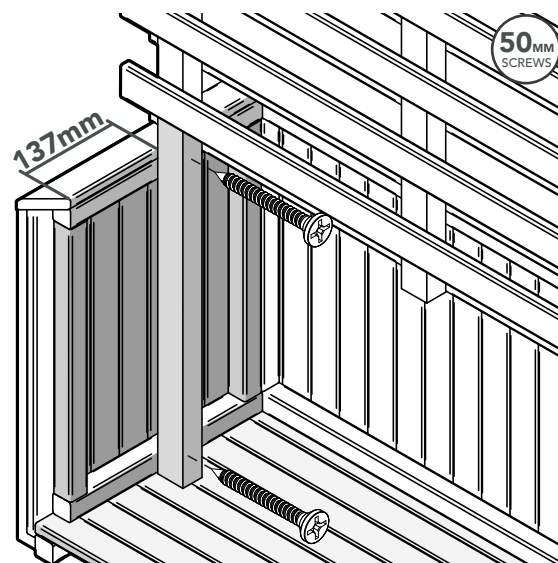
PLEASE KEEP PLASTIC BAGS AND SMALL PARTS AWAY FROM CHILDREN

CHECK AND TIGHTEN ALL THE FIXINGS APPLIED TO THIS PRODUCT ON A REGULAR BASIS.

### SECURING YOUR SCREEN IN THE CENTRE



Your Planter and Slatted Screen come pre-assembled. Simply place the screen into the top of the Planter.



Position and secure the screen to the top and bottom framework as shown above. Use the measurement above as a positioning guide. Repeat on the other side.



**IMPORTANT**  
Assembly requires 2+ adults.



**REMINDER**  
Always pre-drill before screwing.

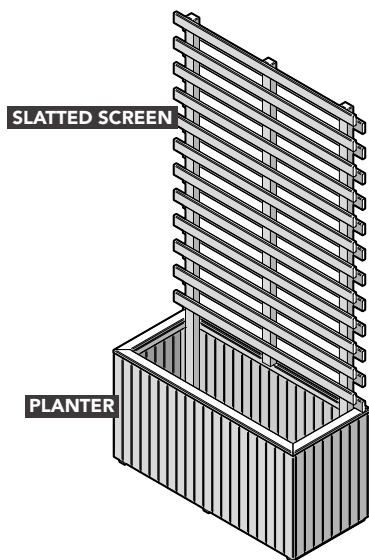
**Missing something or need more information?**

Call our aftersales team on  
0333 321 3142

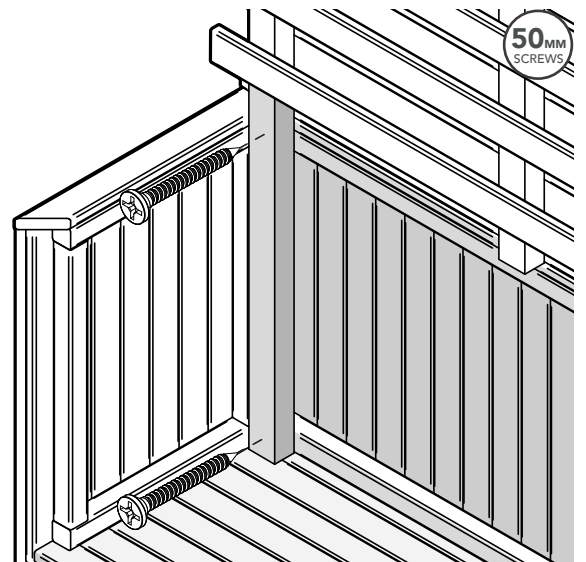
**Visit our website for spare instructions and more information**

[www.forestgarden.co.uk](http://www.forestgarden.co.uk)

## SECURING YOUR SCREEN TO THE BACK

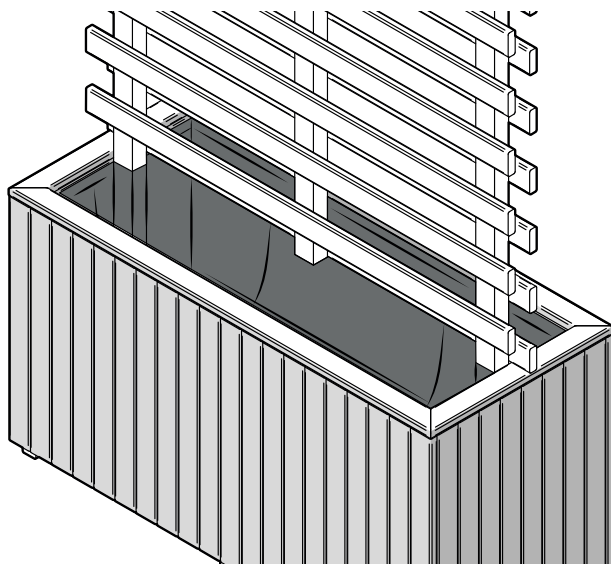


Your Planter and Slatted Screen come pre-assembled. Simply place the screen into the top of the Planter and push it up against the framework.

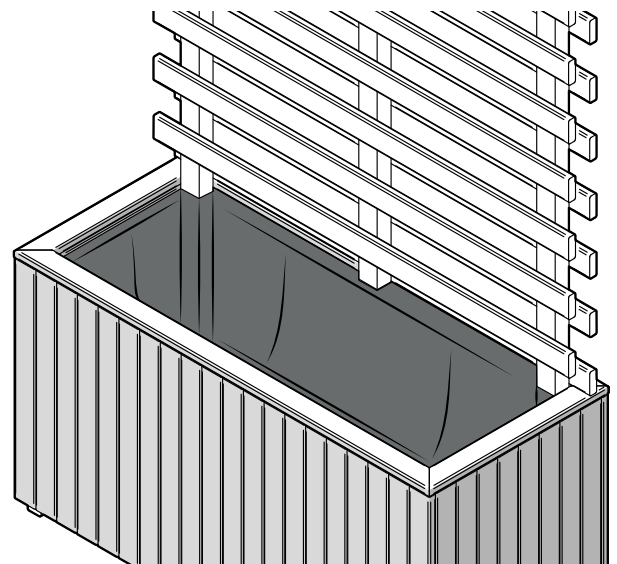


Position and secure the screen to the top and bottom framework as shown above. Repeat on the other side.

## JUTE LINER



Lay out and position the Jute Liner material inside your planter. Wrap the Jute Liner around the screens battens and staple to the framework. (Staples not supplied).



Lay out and position the Jute Liner material inside your planter. Wrap the Jute Liner around the screens battens and staple to the framework. (Staples not supplied).

## HEALTH & SAFETY

### DO NOT CLIMB THIS PRODUCT

We strongly recommend that PPE (Personal Protective Equipment) is used throughout your build to ensure you are protected from any potential health and safety risks. **Do not exempt yourself from wearing PPE.**



## CHECK YOU HAVE ALL YOUR PARTS PRIOR TO ASSEMBLY.

(The parts do not have codes on them. They are listed below should you need to order one.)

Timber is a natural material of which will shrink and swell as a result of varying moisture content.

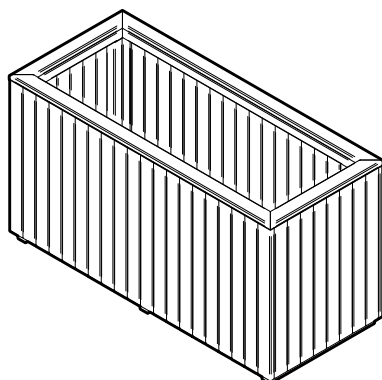
Assembly of damaged parts may be deemed to be acceptance and this may affect the remedies you are entitled to. If the product is not constructed in accordance with the instructions, or is altered in anyway (e.g. painted), the manufacturer cannot be held liable for any resulting damage.

The components provided may be heavy. Please lift with caution and with a minimum of 2 people.

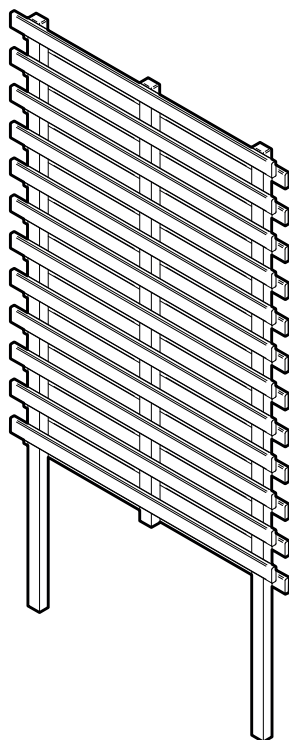
Living Screen Planter (LIVSCRPLANT)			
Label	Part Code	Description	No.
A	LSPLANTER	Planter 390x488x900mm	1
B	SLATSCREEN	Slatted Screen 900x1757mm	1
C	JLINER90	Jute Liner	1

Use the labelled components to help identify the part code and description.

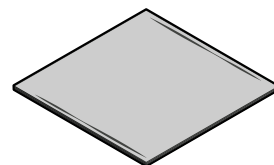
A



B



C



### TREATED TIMBER CONTAINING A BIOCIDAL PRODUCT CONTROL OF WOOD DESTROYING ORGANISMS

**Active Ingredients** - Propiconazole, Tebuconazole, IPBC, Permethrine, Benzyl-C12-16-Alkyldimethyl Chlorides. (Dip Treated)  
Basic Copper Carbonate, DDA Carbonate, DDA Chloride. (Pressure Treated)

Wear gloves when handling. Avoid inhalation of sawdust. Do not use in contact with drinking water or food. Do not use for animal bedding or in fish ponds. Dispose of treated wood responsibly.