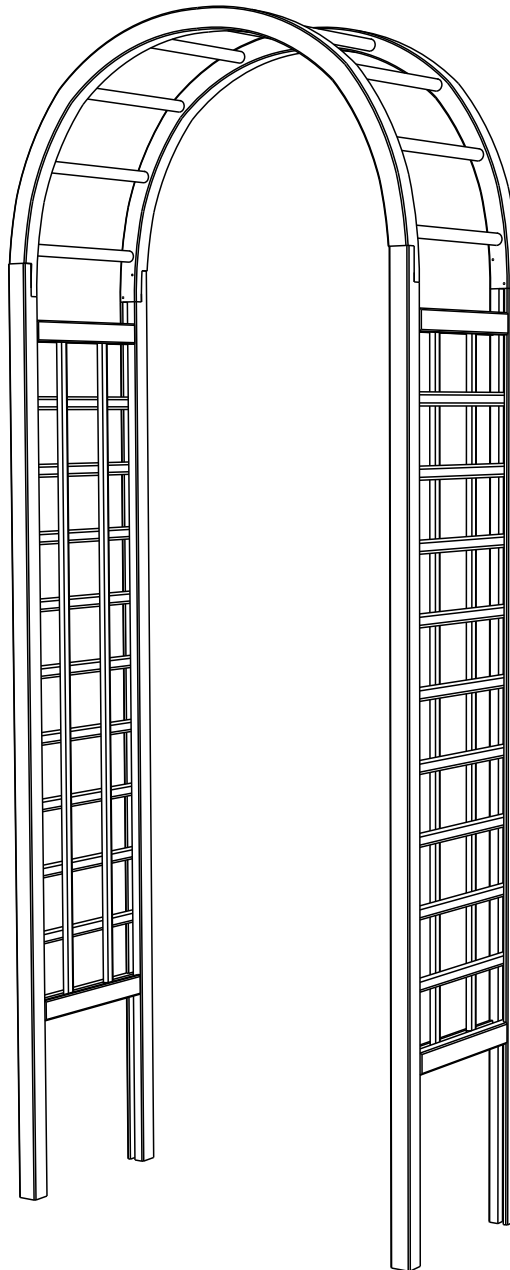


ELITE GARDEN ARCH

ELITEARCH 250cm [H] x 100cm [W] x 44,5cm [D]

220901A008OZBZ06C1



BEFORE YOU START

Check the pack/s and make sure that you have all of the parts listed below.

If not, contact your retailer who will be able to help you.

When you are ready to start make sure you have the right tools to hand, plenty of space with a clean and dry area for assembly.

It is advisable for two people to carry out the work.

Where the wood is screwed we advise to pre-drill the holes (the diameter of the holes should be 2mm smaller than the diameter of the used screw)

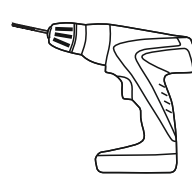
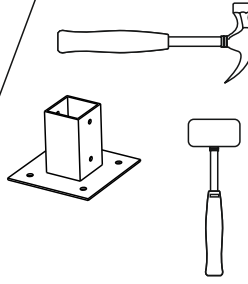
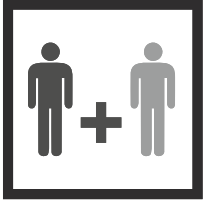
HEALTH AND SAFETY

Do not lean or stand on the roof assembly at any time - the structure is not of a load bearing design.

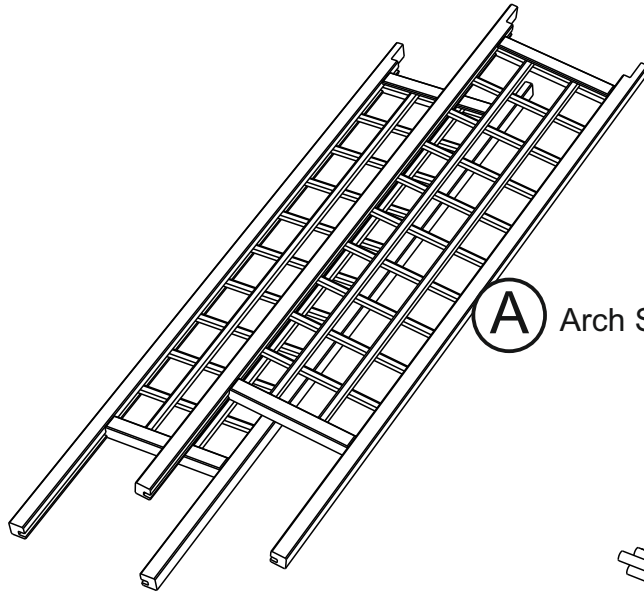
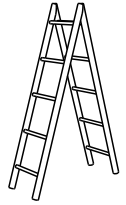
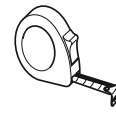
Do not overreach when working from the step ladder

In order to reduce the risk of suffocation please keep all plastic bags and small parts away from children.

Recommended tools (not included)

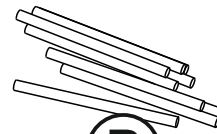
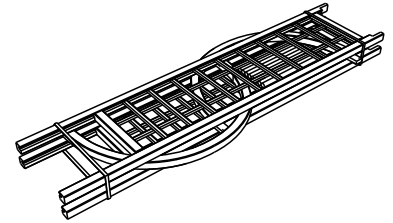


drill or screwdriver



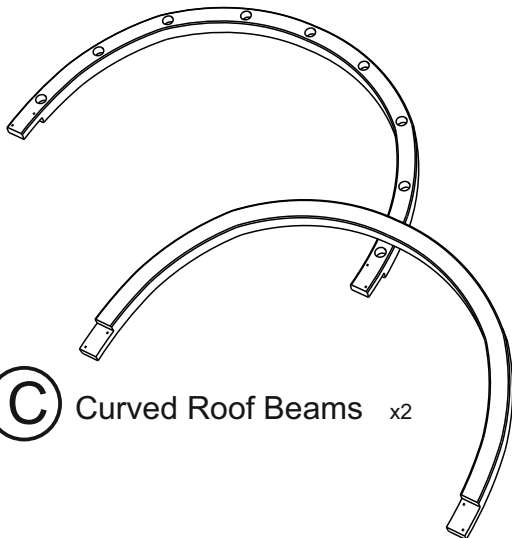
A Arch Side Sections

x2



B Dowling Beams

x9



C Curved Roof Beams

x2

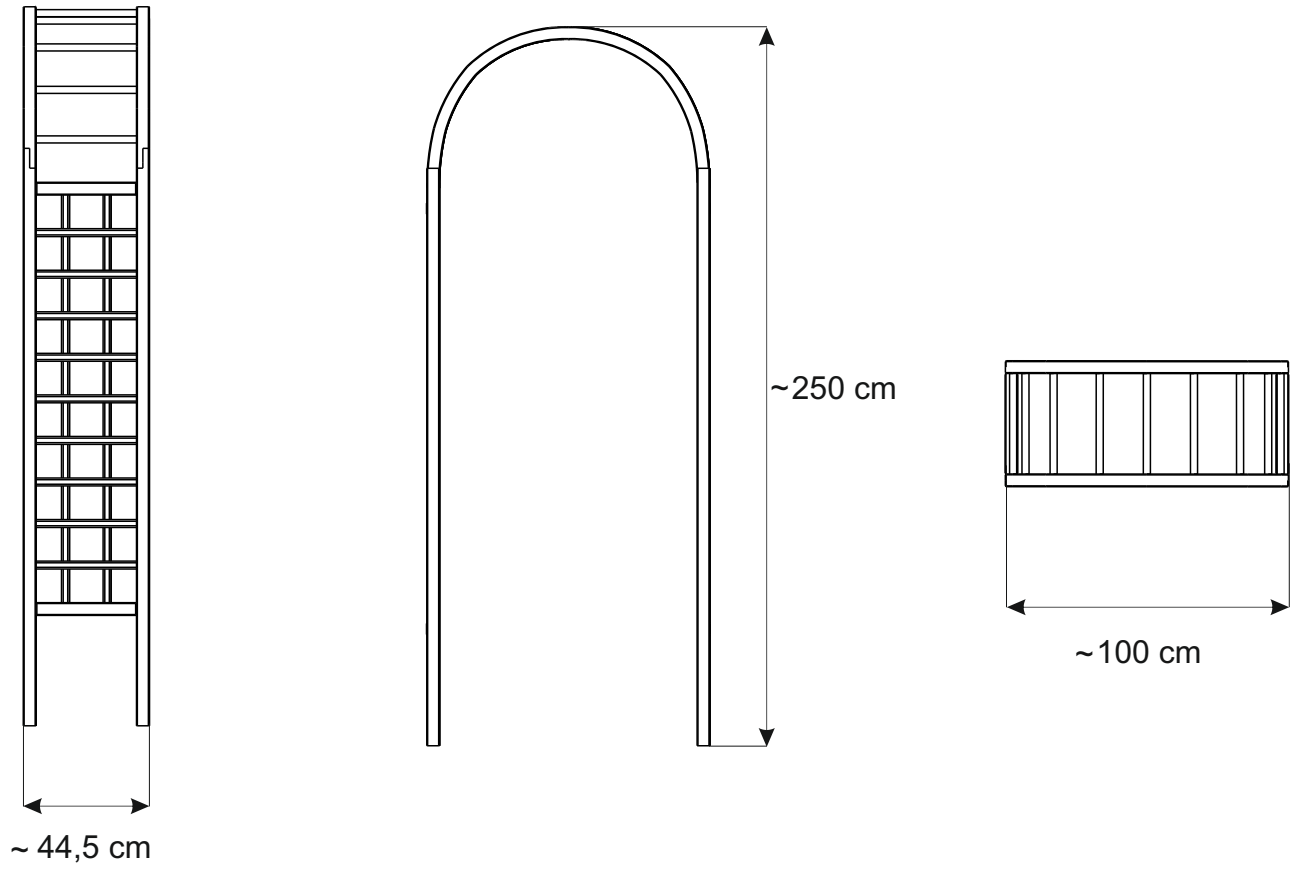
Hardware pack

[x]



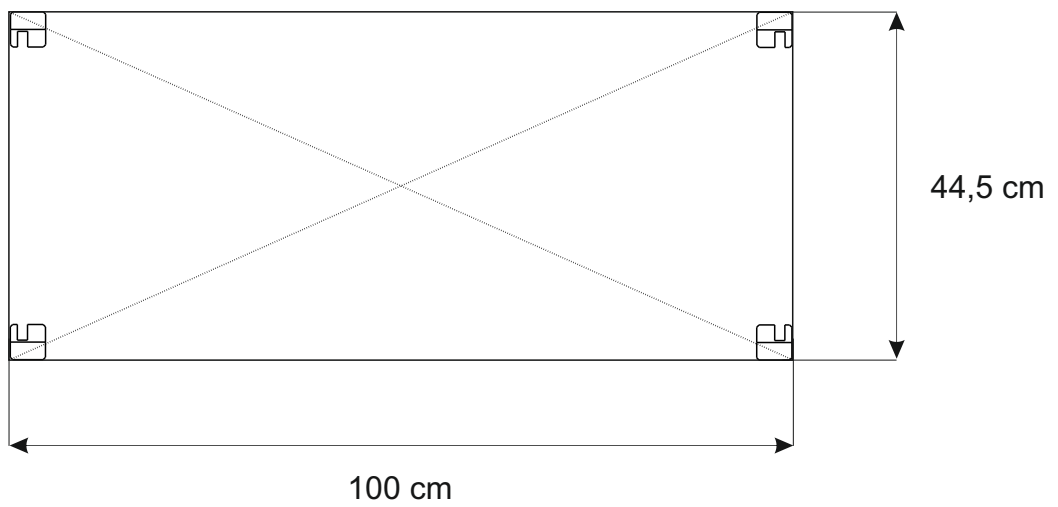
Screws
3,5-4,0 cm
x10

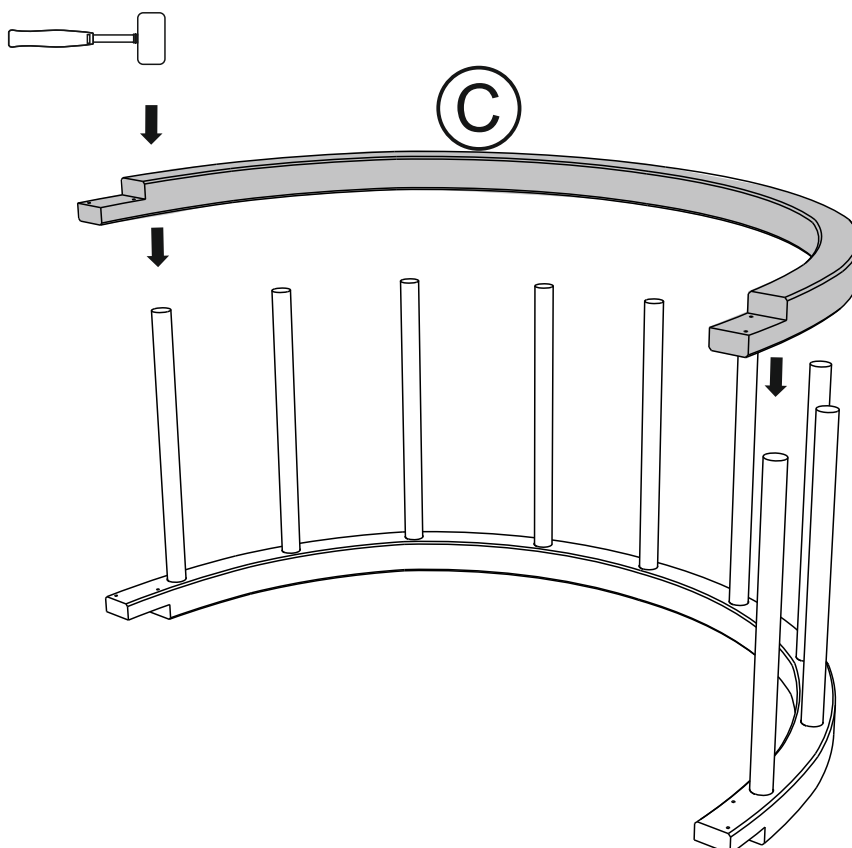
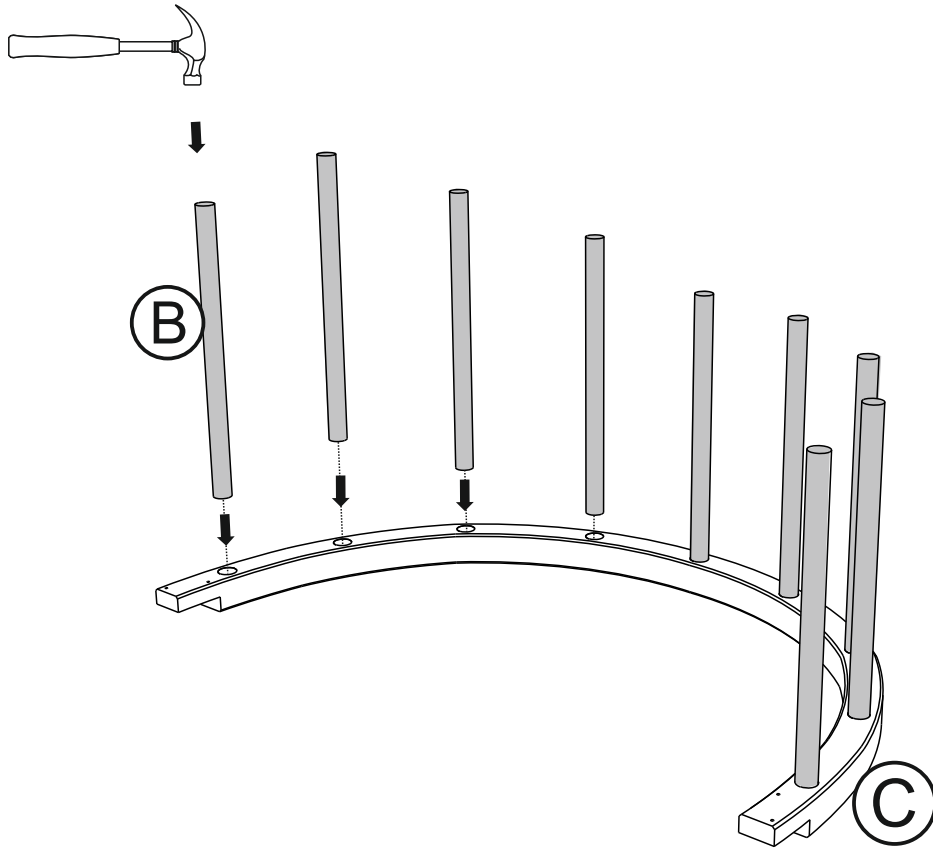
PLAN

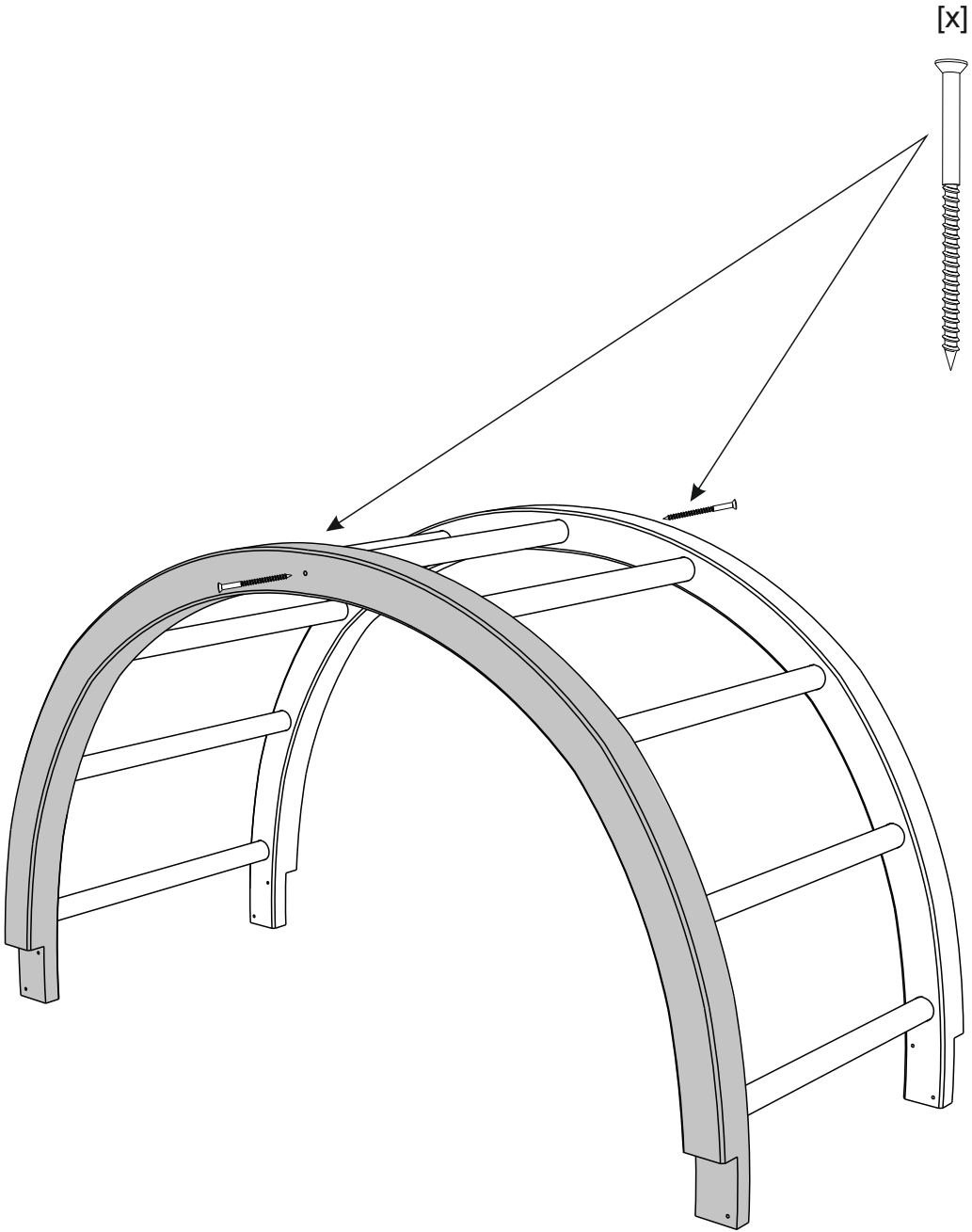


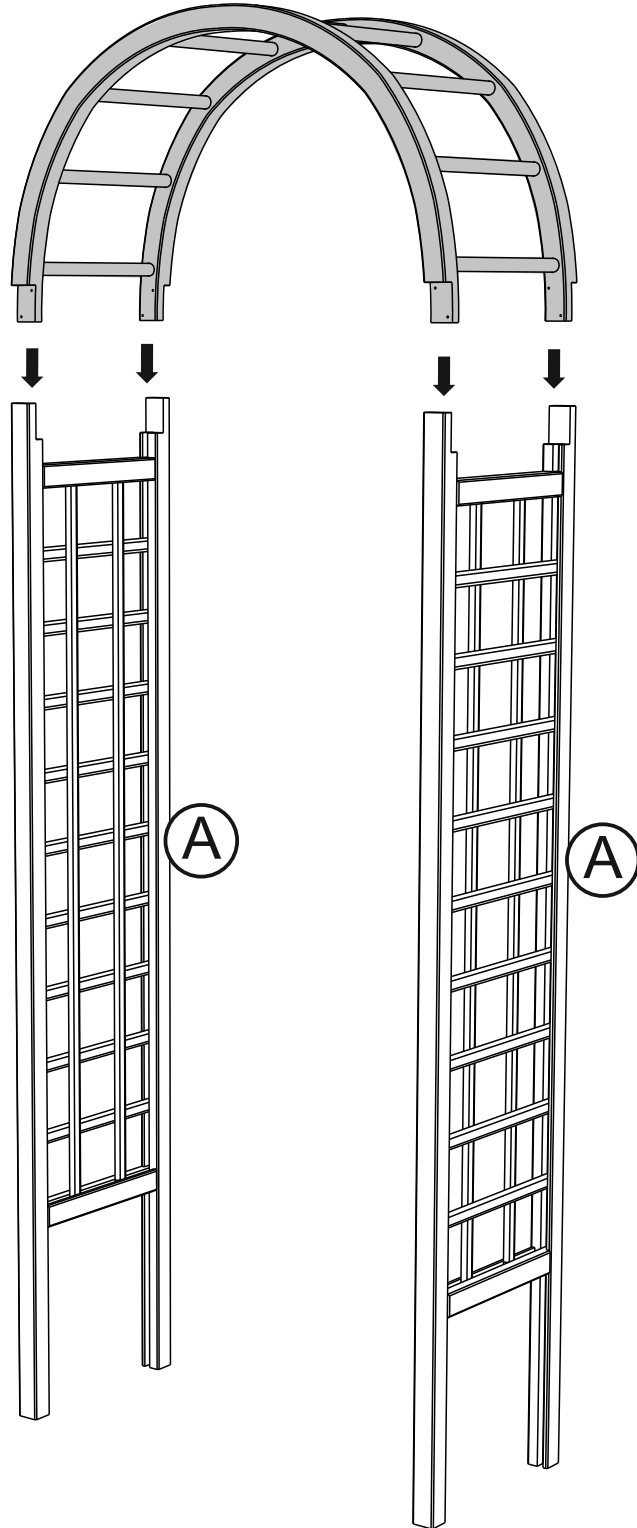
FOOTPRINT

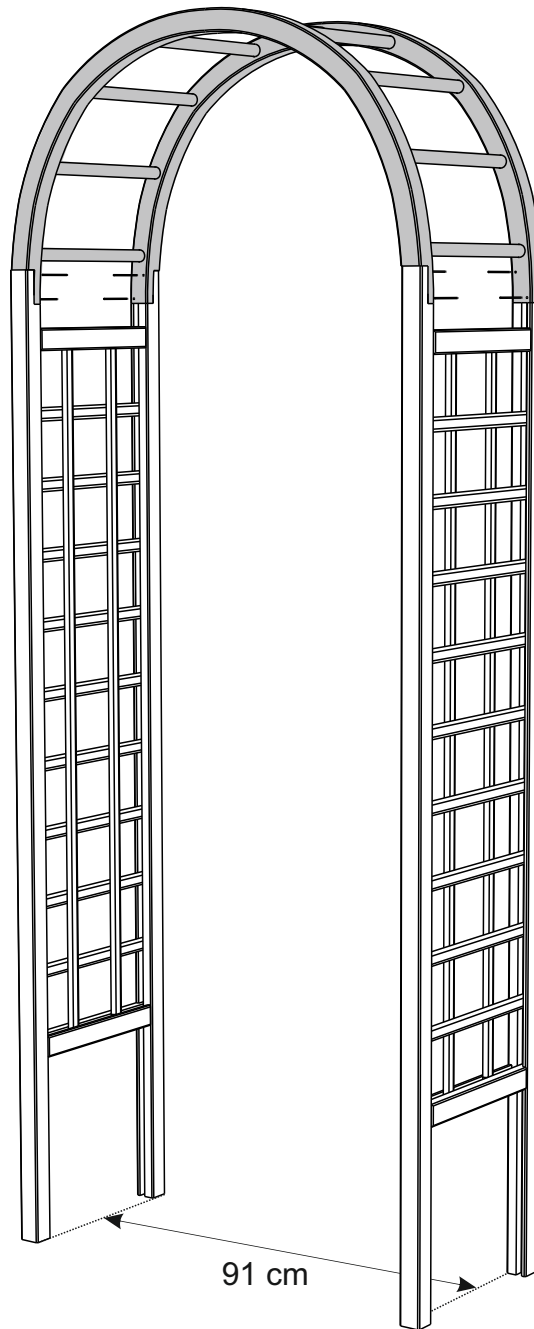
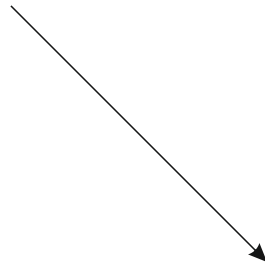
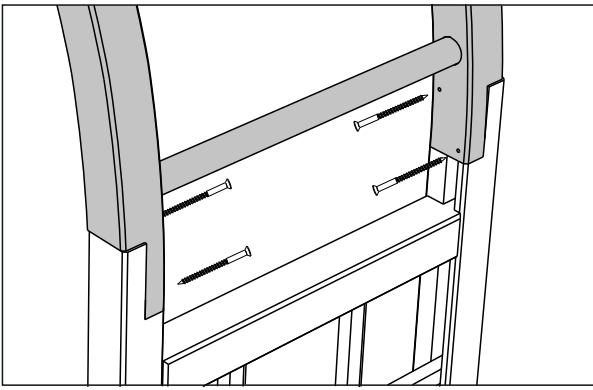
1



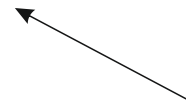








[x]



!

AFTERCARE

To ensure longevity of your structure it is recommended that it is treated with a wood preservative on a yearly basis.

Your item is ready!