



HOW TO ASSEMBLE

ECO GROW® SERIES

IMPORTANT!

Please read these instructions carefully before starting assembly.
Keep these instructions in a safe place for future reference.



A member of
Palram Industries Ltd.

www.canopia.com





AFTER SALES SERVICE

WE´VE GOT YOU COVERED

NOUS NOUS OCCUPONS DE VOUS | NOS OCUPAMOS DE UD | WIR HELFEN IHNEN GERNE

EN

Our self-service form makes it convenient and fast. Go to the URL below or scan the QR code with your phone to submit your request.

FR

Notre formulaire en ligne est pratique et rapide. Rendez vous sur l'URL ci-dessous ou scannez le code QR avec votre téléphone pour soumettre votre demande.

ES

Nuestro formulario de autoservicio lo hace conveniente y rápido. Vaya al URL de abajo o escanee el código QR con su teléfono para enviar su solicitud.

DE

Nutzen Sie schnell und bequem unser Kontaktformular. Rufen Sie die untenstehende URL auf oder scannen Sie den QR-Code mit Ihrem Handy, um Ihre Anfrage zu übermitteln.

Missing a part or need a new one?

Il vous manque une pièce ou vous avez besoin d'une pièce supplémentaire?
Me falta una pieza o necesito una nueva?
Fehlt ein Teil oder benötigen Sie ein Ersatzteil?



canopia.shop/part_request

SCAN ME

Need help assembling your product?

Besoin d'aide pour monter votre produit?
Necesito ayuda para montar mi producto?
Benötigen Sie Hilfe bei der Montage Ihres Produkts?



canopia.shop/support

SCAN ME



CUSTOMER SUPPORT



SCAN ME

WE ARE HERE TO HELP

For general questions: canopia.com/contact-us

USA



877-627-8476



hobbyservice@poly-tex.com

GERMANY



0180-522-8778



customer.serviceDE@palram.com

ITALY • NETHERLANDS • PORTUGAL • SPAIN



+33-169-791-094



customer.serviceFR@palram.com

CANADA



905-5646007



sales@footprintproducts.com

FRANCE • BELGIUM



+33-169-791-094



customer.serviceFR@palram.com

AUSTRIA • LUXEMBURG • LIECHTENSTEIN



+49-180-522-8778



customer.serviceDE@palram.com

UNITED KINGDOM • IRELAND



01302-380775



customer.serviceUK@palram.com

ISRAEL



04-848-6816



customer.service@palram.com

AUSTRALIA



03-9219-4444



salesvic@palram.com

NORWAY • SWEDEN • ARGENTINA • GREECE • GREENLAND • ICELAND • ESTONIA • JAPAN • LATVIA • LITHUANIA
MAURITIUS • MEXICO • ROMANIA • RUSSIA • TURKEY • UZBEKISTAN • UKRAINE • SWAZILAND • KOREA



+972-4-848-6816



customer.service@palram.com



CUSTOMER SUPPORT



SCAN ME

WE ARE HERE TO HELP

For general questions: canopia.com/contact-us

AUSTRALIA - GREENHOUSES



03-9544-6-999



info@mazedistribution.com.au

HUNGARY · SLOVAKIA



+420-493-523-523



servis@garland.cz

NEW ZEALAND



0800 800 880



customer.service@palram.com

DENMARK



07-575 42 70



post@nshnordic.com

SOUTH AFRICA



011-397-7771



receptionza@palram.com

CROATIA · SLOVENIA



0599-37-057



info@ms-viscom.com

CZECH REPUBLIC



0493-523-523



servis@garland.cz

FINLAND



Neuvonta: 09-6866720
Tuki / Varaosat: 050-3715350



www.horisontenterprises.fi
tuki@horisontenterprises.fi

POLAND



Infolinia: 801-011-929
72-349-93-36



kontakt@ogrodosfera.pl

CYPRUS



0224-971-13



alpaco@alpacodomica.com
www.alpacodomica.com

SWITZERLAND

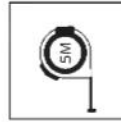
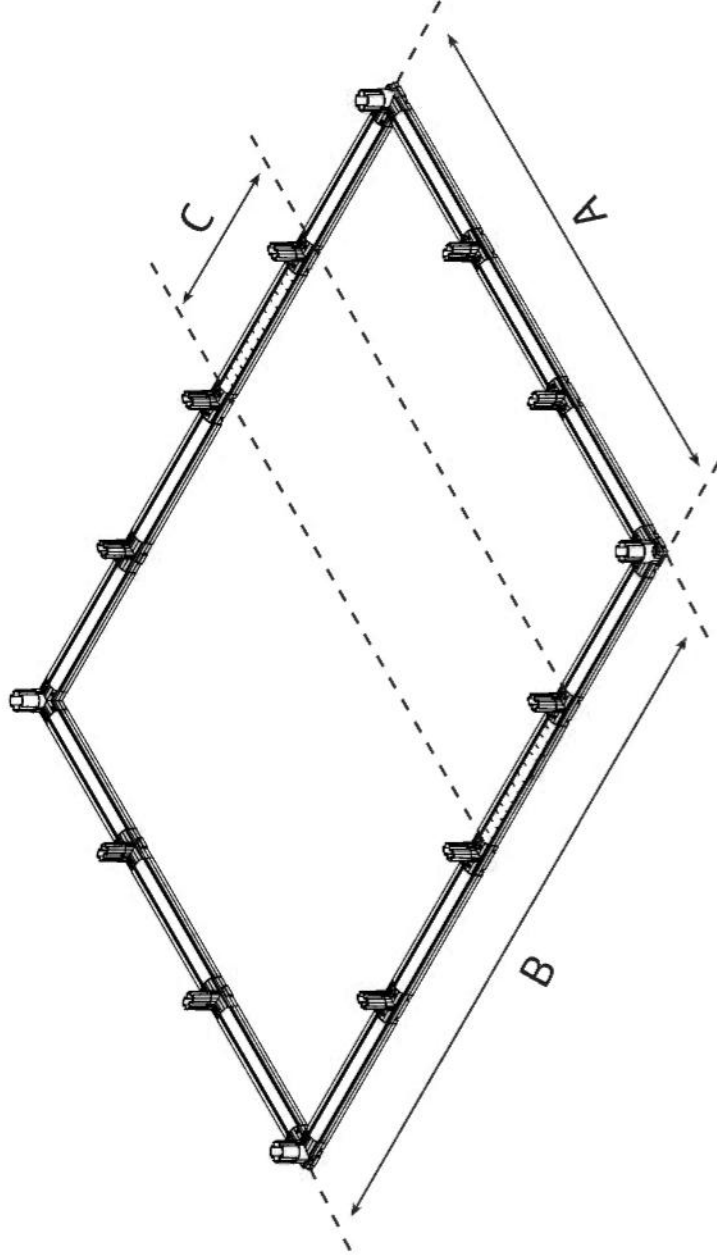


062-287-33-77



info@ritter.ch

BASE DIMENSIONS ECO GROW SERIES



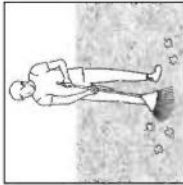
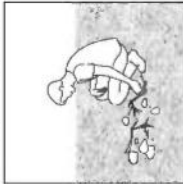
MODELS	WIDTH	LENGTH	EXTENSION MODULE
6x6 / 2x2	197 cm / 6'12"	197 cm / 5'11"	-
6x8 / 2x2.6		259 cm / 8'	62 cm / 2' (x1)
6x10 / 2x3.3	197 cm / 6'12"	321 cm / 10'1"	62 cm / 2' (x2)
6x12 / 2x4		383 cm / 12'1"	62 cm / 2' (x3)
6x14 / 2x4.4		445 cm / 14'1"	62 cm / 2' (x4)

SITE PREPARATION & FOUNDATION

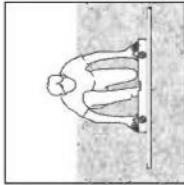
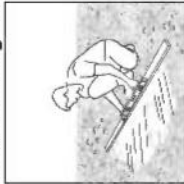
A - PREPARE THE SITE

The product must be positioned and fixed on a flat level surface.

1 - Clear the site



2 - Level the ground



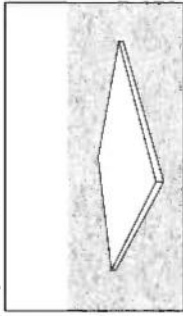
IMPORTANT

We recommend checking for restrictions or covenants for building this product in your area. In addition we advise to check if you need to submit any forms or if any permit is required prior to building the product.

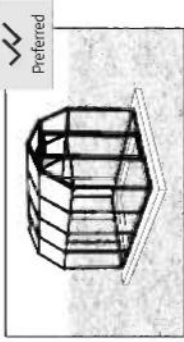
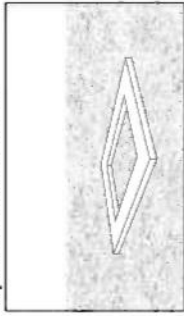
B - CHOOSE YOUR FOUNDATION TYPE

For a foundation, we recommend using three material types : Concrete / Pressure treated wood / wood deck / Paver blocks

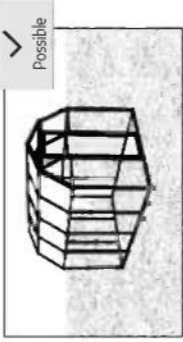
Option 1: Solid foundation



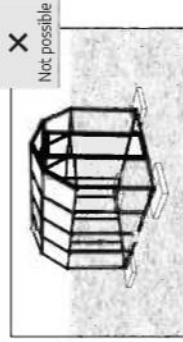
Option 2: Solid frame



Option 3: Firm ground / grass

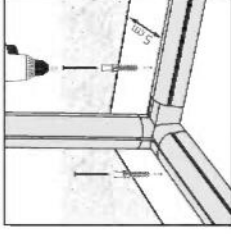


* The size of the greenhouse displayed is for illustration purposes only and may not reflect the size of your greenhouse.



C - ANCHOR TO FOUNDATION

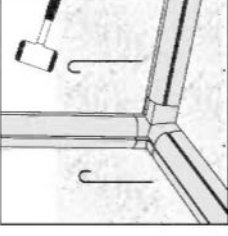
On a solid foundation / frame



Secure the product to the foundation of your choice using suitable screws & plugs or masonry anchors (not supplied).

Make sure you have at least 5 cm / 2" between the product base and the edges of your foundation - on all sides.

On soil / grass



Secure the product to the ground surface using suitable long pegs (not supplied). Please consult with an expert regarding which fasteners are suitable for other surface types.



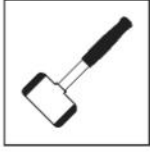

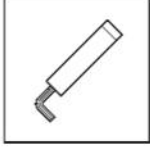
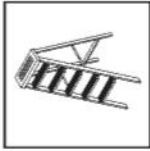







SAFETY ADVICE

- It is of utmost importance to assemble all of the parts according to the directions. Do not skip any steps.
- Always wear work gloves during panel sliding.
- Always wear shoes and safety goggles when working with extruded aluminium.
- If using a step ladder or power tools make sure that you follow the manufacturer's safety advice.
- Do not touch overhead power cables with the aluminium profiles.
- Do not attempt to assemble the product in windy or wet conditions.
- Do not climb or stand on the roof.
- Dispose of all plastic bags. Keep them out of reach of small children.
- Keep children away from the assembly area.
- Do not lean against or push the products during construction.
- Do not position your product in an area exposed to excessive winds.
- Do not attempt to assemble this product if you are tired, have taken drugs or alcohol or if you are prone to dizzy spells.
- Hot items such as recently used grills, blowtorches etc. must not be stored in the product.
- Make sure there are no hidden pipes or cables in the ground before anchoring to foundation.
- This product is designed to be used mainly as a greenhouse.
- **Make sure to anchor the product directly to a solid foundation to increase the product's stability and wind resistance in areas with severe weather conditions. Make sure that there are no obstructions between the assembly area and the final position of the product. The Palram - Canopia Anchoring kit is available for purchase separately.**

CARE & MAINTENANCE

- When your product needs to be cleaned, use a mild detergent solution and rinse with cold clean water.
- DO NOT use acetone, abrasive cleaners or other special detergents to clean the panels.
- Clean the product once assembly is complete.

TOOLS & EQUIPMENT

 x2	<input type="checkbox"/> 2 people needed		<input type="checkbox"/> Work gloves		<input type="checkbox"/> Rubber Mallet		<input type="checkbox"/> Wrench 10 mm 13/32"		<input type="checkbox"/> GT1 (Supplied)
	<input type="checkbox"/> Ladder		<input type="checkbox"/> Phillips head Screwdriver		<input type="checkbox"/> Cordless drill Phillips head		<input type="checkbox"/> Wrench 7 mm 1/4"		
	<input type="checkbox"/> Tape measure		<input type="checkbox"/> Flat Head Screwdriver		<input type="checkbox"/> Needle Nose Pliers		<input type="checkbox"/> Scissors		

BEFORE ASSEMBLY

1. Selecting a site:
 - Choose your site carefully before beginning assembly.
 - Choose a sunny position away from overhanging trees.
 - The product must be positioned and fixed on a flat level surface.
2. The product must be secured directly to a solid foundation.
3. This is a multi-part assembly best achieved by two people. Allow at least half a day for the assembly process.
4. Take all components & parts out of the packages. Sort the parts and check against the content parts list.
5. Parts should be laid out close at hand. Keep all small parts (screws etc.) in a bowl so they do not get lost.
6. Please note multi-sided profiles are used in this product. As a result some holes in the profiles are not used during assembly.
7. Please review entire instructions before starting. Carry out the assembly steps in exact order.
8. Please consult your local authorities if any permits are required prior to constructing the product.

IMPORTANT!

- Firmly connect the product to a level surface immediately after completion of the assembly.
- Anchoring this product to the ground is essential to its stability and rigidity. It is required to complete this stage in order for your warranty to be valid.
- During assembly use a soft surface below the parts to avoid scratches and damages.

DURING ASSEMBLY

- During assembly, you will encounter different icons for different products. Please see below for more information:



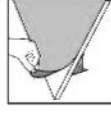
- During assembly you will encounter the information icon, please refer to the relevant assembly step for additional comments and assistance.



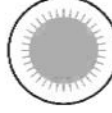
- You may use silicone lubricant spray on the frame in order to help you slide the panels into the profiles. Do not spray the panels.



- Use a rubber mallet if necessary.



- Make sure you remove covering plastic film from both sides of the panel.



- All panels with the stamped words "THIS SIDE OUT" must be facing out to create full UV protection. Remove plastic sticker as panels are locked in place.



- This icon indicates that the installer should be inside the product.



- This icon indicates that the installer should be outside the product.



- Steps marked with dashed outlines refer to Extensions only.
- Some of the steps are irrelevant for an assembly of a single product.
- When assembling a single or an extended product, some parts may be surplus.



IMPORTANT ASSEMBLY STEPS

When encountering this information icon during assembly, please refer to the relevant assembly step for important additional comments.

Steps 1 - 4:

Arrange all 2D connectors with the stamped word OUT facing the outside of the greenhouse.

Step 5:

Make sure that the frame is perfectly rectilinear by measuring the diagonals and verifying that they are the same.

Make sure that the frame is level and anchor it with screw / screw + dibble / spike (not included) according to the selected surface.

Step 9:

Walls assembly must be made gradually (1.panel 2.profile 3.connector) according to describe method in **steps 8**.

Step 31:


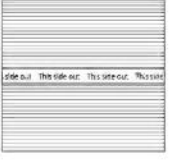
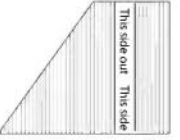
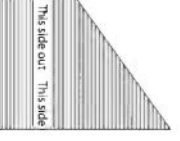
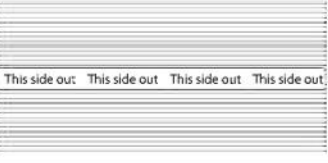


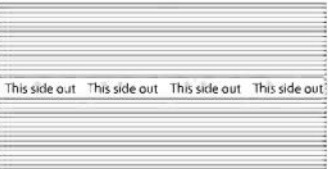

Screw #411 is to be used for handle part #99 only.

Steps 58, 59:

If the window doesn't close properly, please release the screws, adjust the profile and re-tighten the screws.

Contents



Item		Back 2'	Back 4'	Front 4'	Ext' 4'
PN2A		2	4	4	4
PN3A		2	4	3	4
PN73L		1	1	1	
PN73R		1	1	1	
7539		5	7	6	4
PN72		1	1	1	
7543				1	
7544				1	
PN61		1	1		



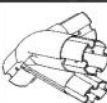



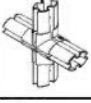


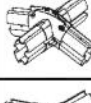
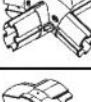
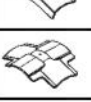
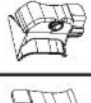
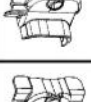
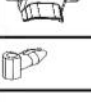


Contents



Item		Back 2'	Back 4'	Front 4'	Ext' 4'
E1		4	6	6	4
E2		11	18	15	14
E3		2	4	2	4
E4		2	2	2	
E5		2	2	2	
E100				3	
E101				2	
R1		2	2	2	
R2		2	2	2	
R3		2	2	2	
B2		5	7	7	4
SR1				1	
RC3		1	2	2	2
RA1		1	2	2	2
7446		2	2	2	
7547		2	2	2	
7549		2	4	2	4
7550		2	4	2	4
7556		8	12	8	8
7552		4	8	8	8
DSN				1	
01		2	2	2	
2D		4	6	4	4














Contents



Item		Back 2'	Back 4'	Front 4'	Ext' 4'
53		1	1	1	
75		1	1	1	
76		1	1	1	
71		1	1	1	
8A		1	1	1	
09		2	2	5	
10		2	2		
18				4	
8713				1	
5A		1	2	1	2
51		4	8	4	8
D1		1	1	1	
D2		1	2	1	2
72		2	2	2	
73		2	2	2	
74		4	8	4	8
PIN1		160	220	220	120
GT1		1	1	1	









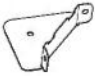



Contents



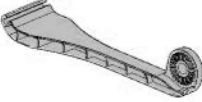
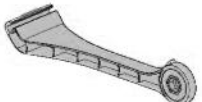








Item		Back 2'	Back 4'	Front 4'	Ext' 4'
7215				1	
7216				1	
7217				2	
7273				1	
7224				8	
4016				2	
7279				2	
425				2	
7281				2	
4043		12	18	12	12
466	 M6			8	
SF	 			1	

Contents

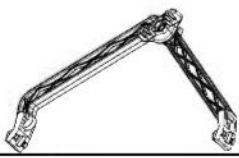







586				1	
989				1	
991				1	
992				2	
7603				1	
7604				1	
7605				1	
7606				1	
7607				2	
4008				4	
465	 M4x8mm			8	
422	 M4			8	





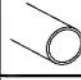
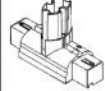
Item		Front	Back	Middle
8797		1		
8798		1		
8801		1		
410		1		
412		1		
8799		1		
8800		1		
461		1		
466		1		
7441		1		




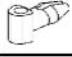
OR

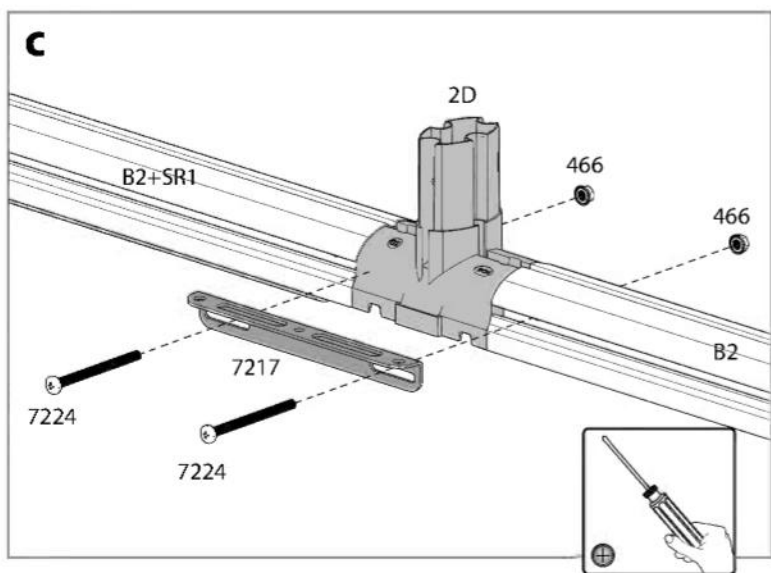
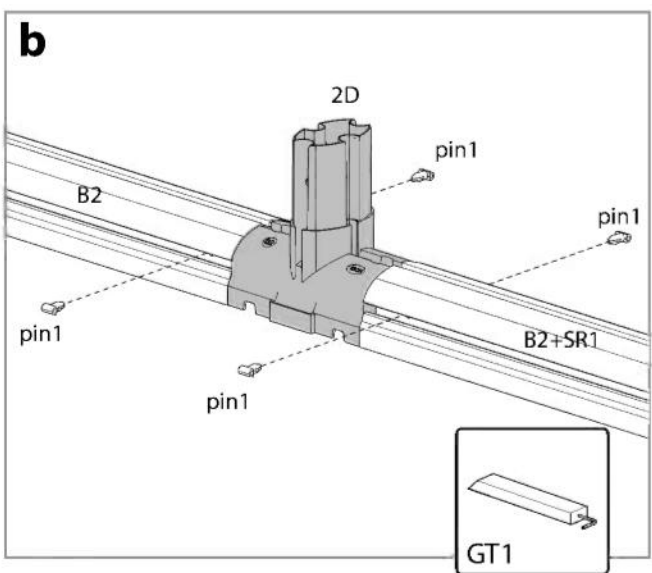
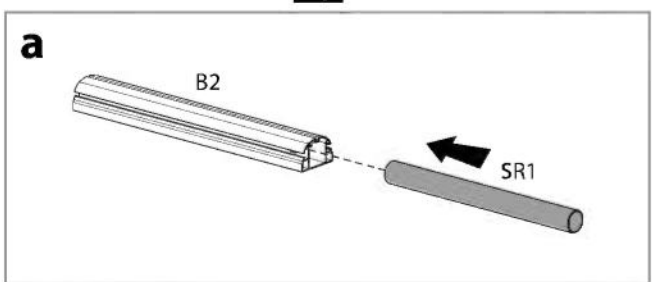
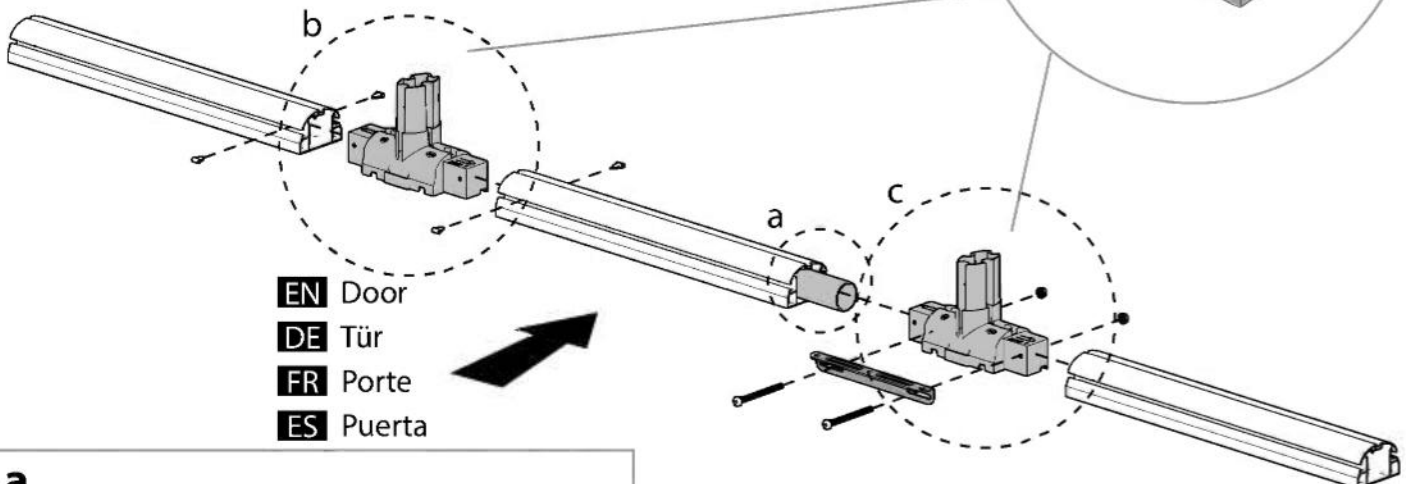
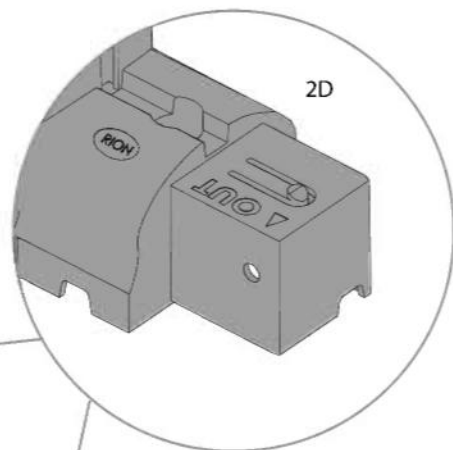
99		1		
22		1		
7441		1		
7220		1		
466		2		
411		2		



1  Arrange all 2D connectors with the stamped word "OUT" facing out of the product.

item		Qty.
B2		3
SR1		1
2D		2

item		Qty.
7217		1
466		2
7224		2
pin1		4



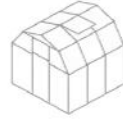


2

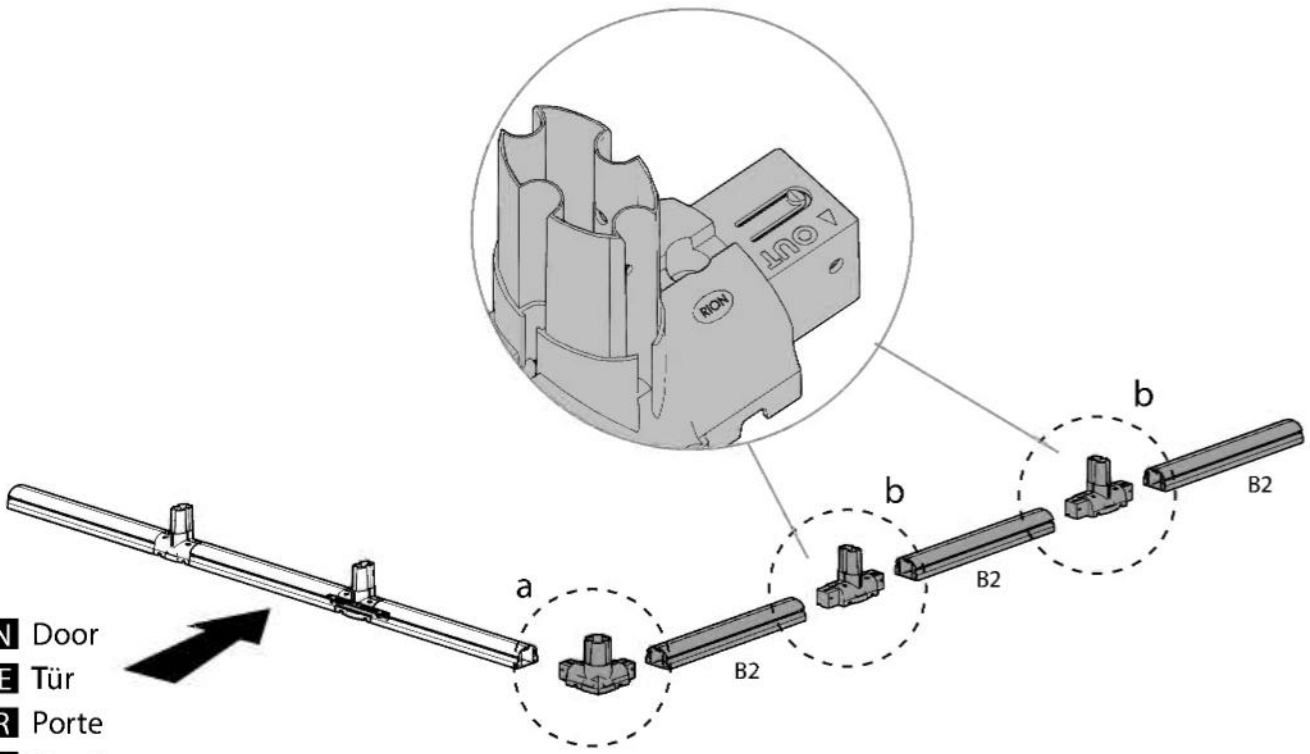


Arrange all 2D connectors with the stamped word "OUT" facing out of the product.

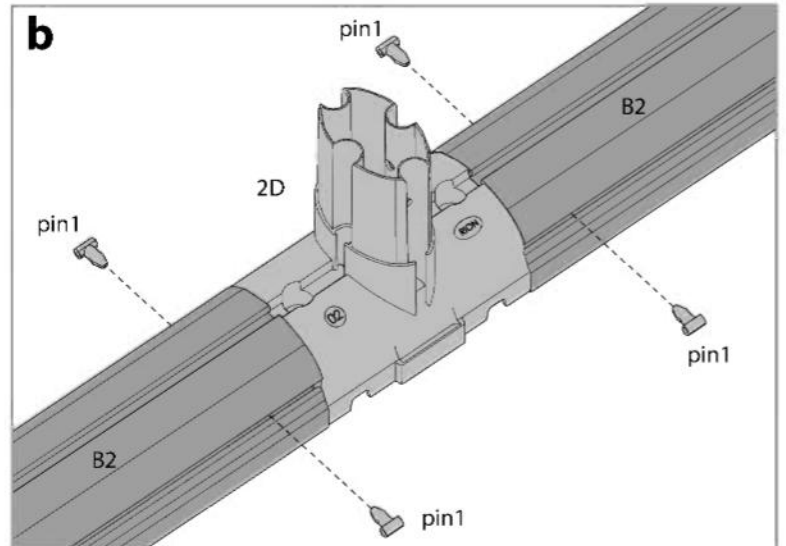
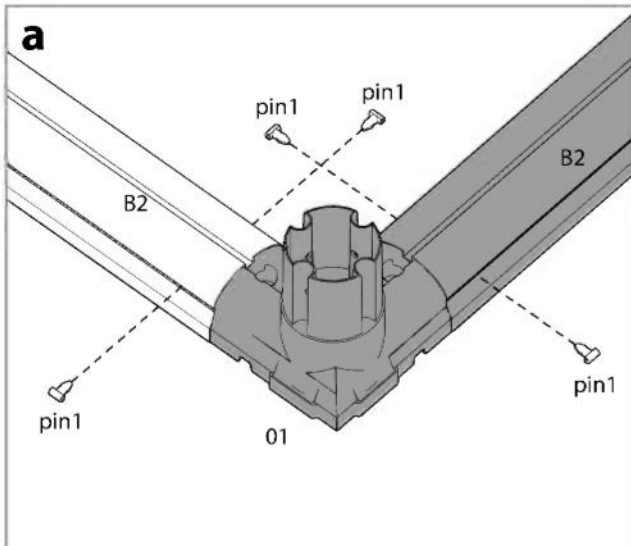
Item		Qty.
B2		3
01		1
2D		2
pin1		12




6'x6' = 3xB2
6'x8' = 4xB2


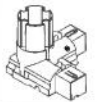
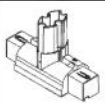



- EN** Door
- DE** Tür
- FR** Porte
- ES** Puerta



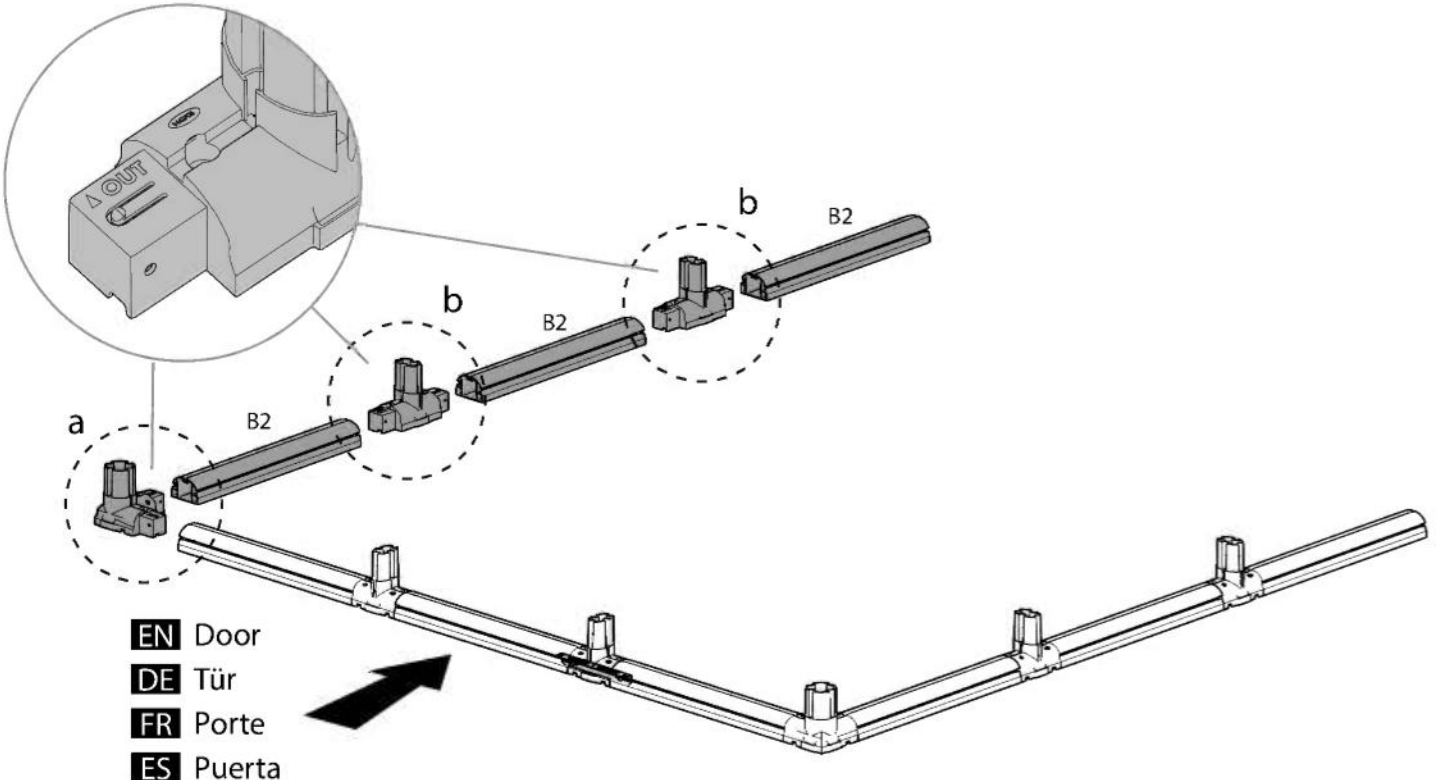


3  Arrange all 2D connectors with the stamped word "OUT" facing out of the product.

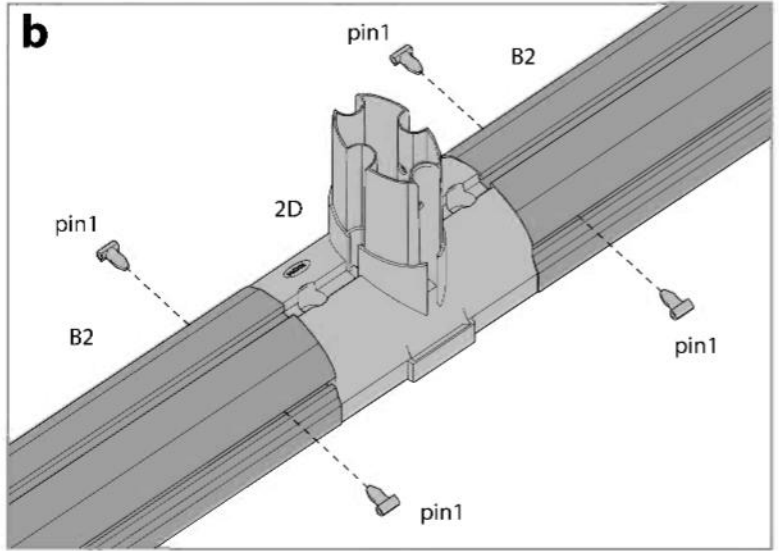
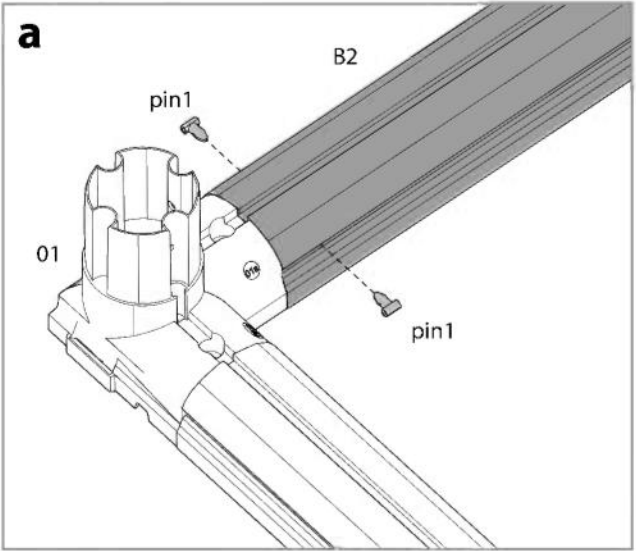
Item		Qty.
B2		3
01		1
2D		2
pin1		12



6'x6' = 3xB2
6'x8' = 4xB2



- EN** Door
- DE** Tür
- FR** Porte
- ES** Puerta



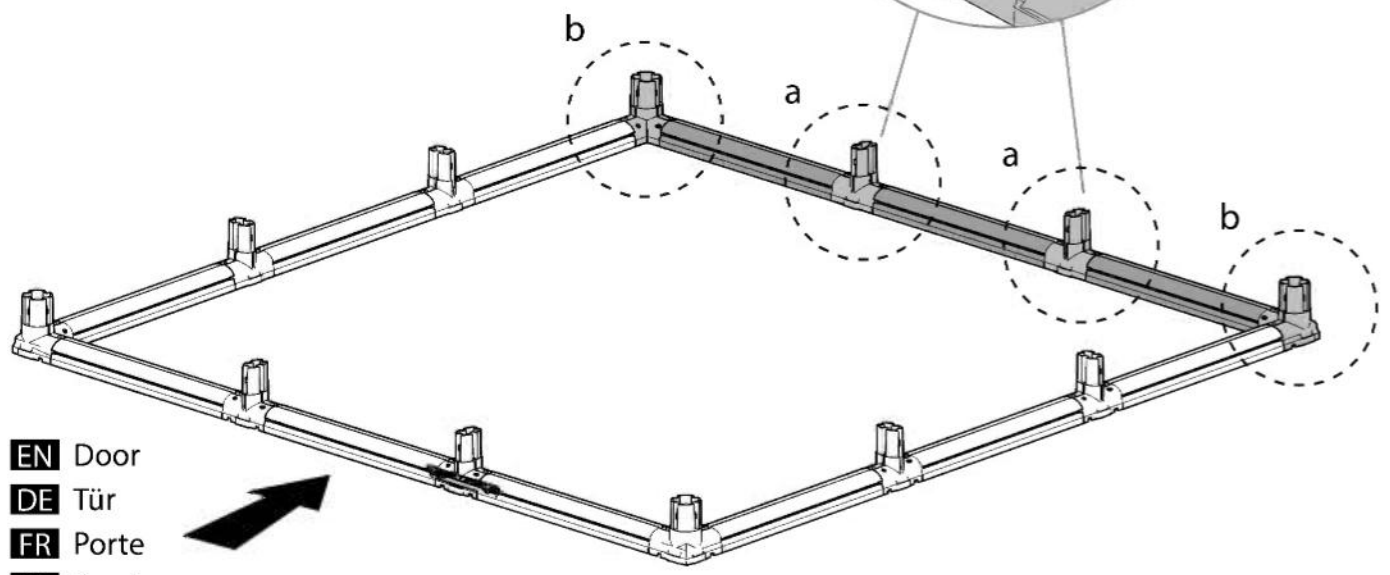
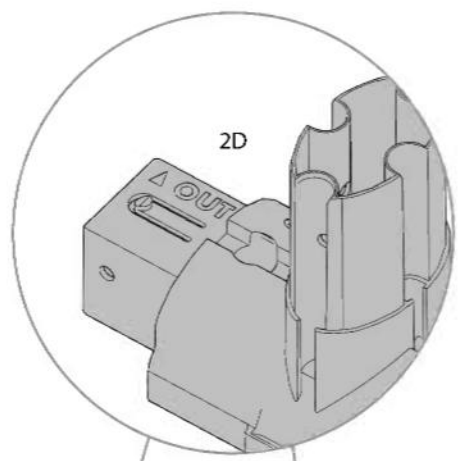


4

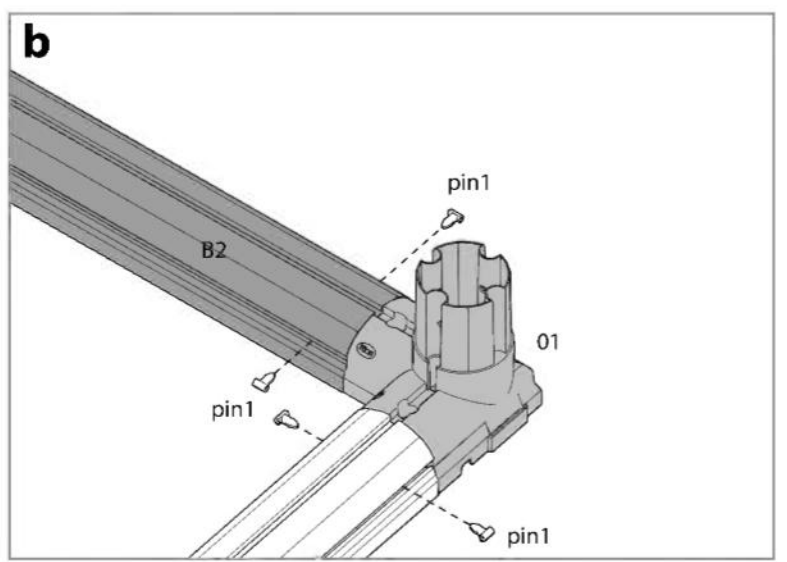
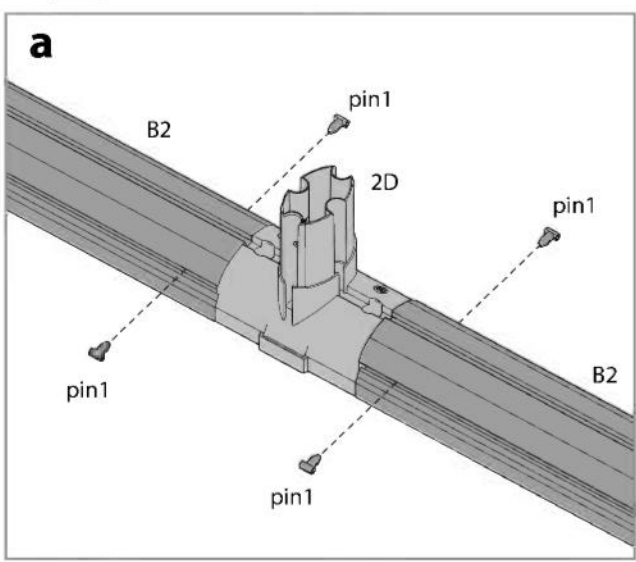


Arrange all 2D connectors with the stamped word "OUT" facing out of the product.

Item		Qty.
B2		3
01		2
2D		2
pin1		12



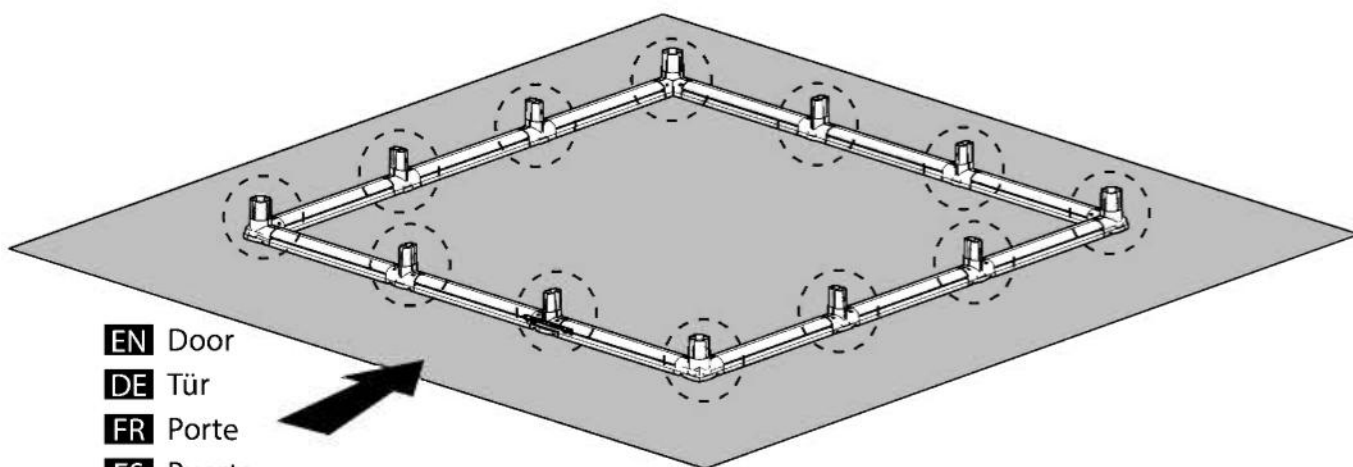
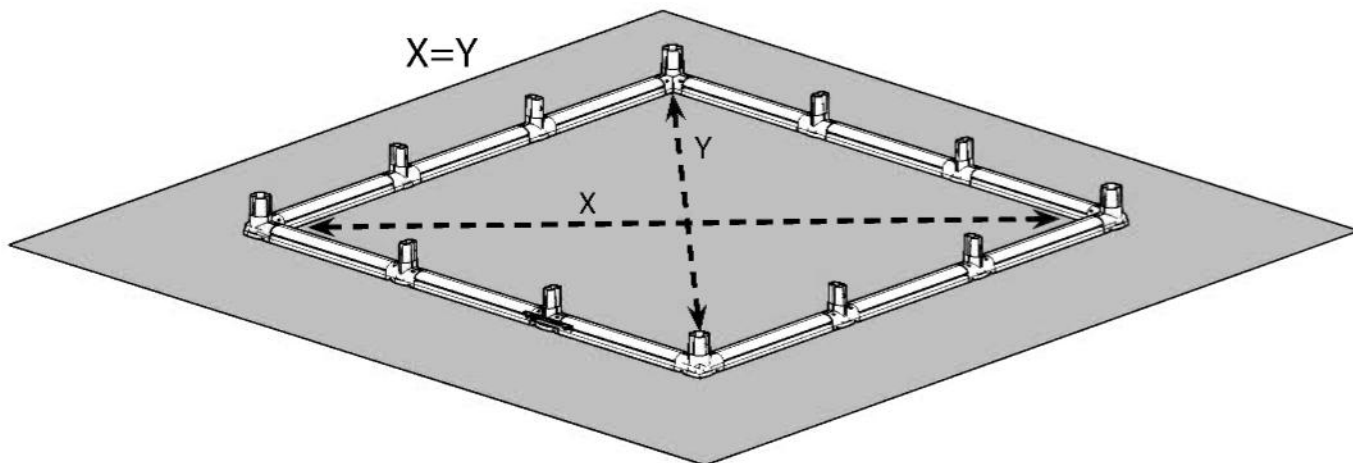
- EN** Door
- DE** Tür
- FR** Porte
- ES** Puerta



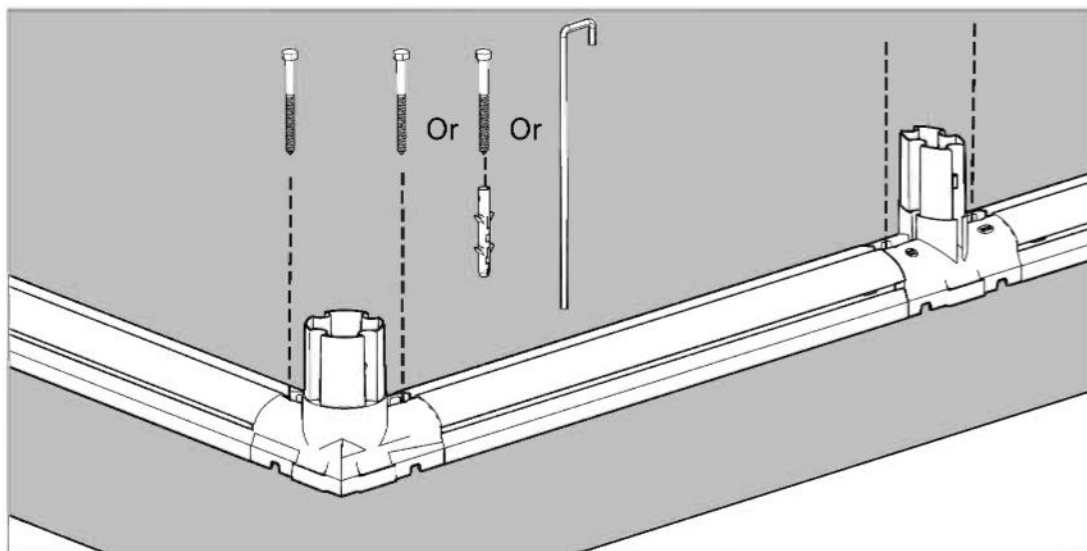
- Make sure the base is square by measuring the diagonals and level by using a spirit level.
- Make sure that the base is leveled and anchor it to the ground with suitable screws / screws + plugs / spikes (not supplied) in accordance with your chosen foundation.



5 **i**

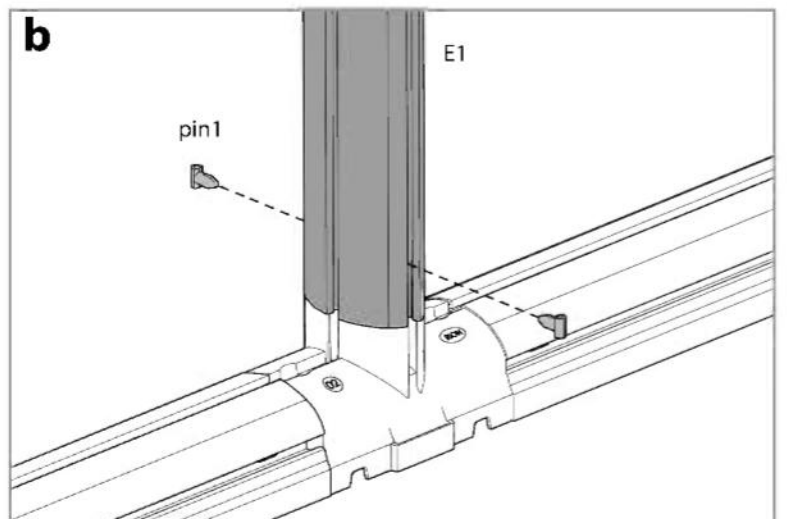
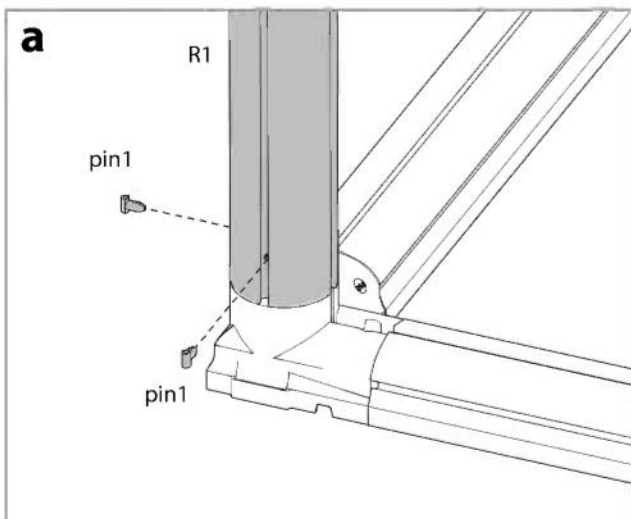
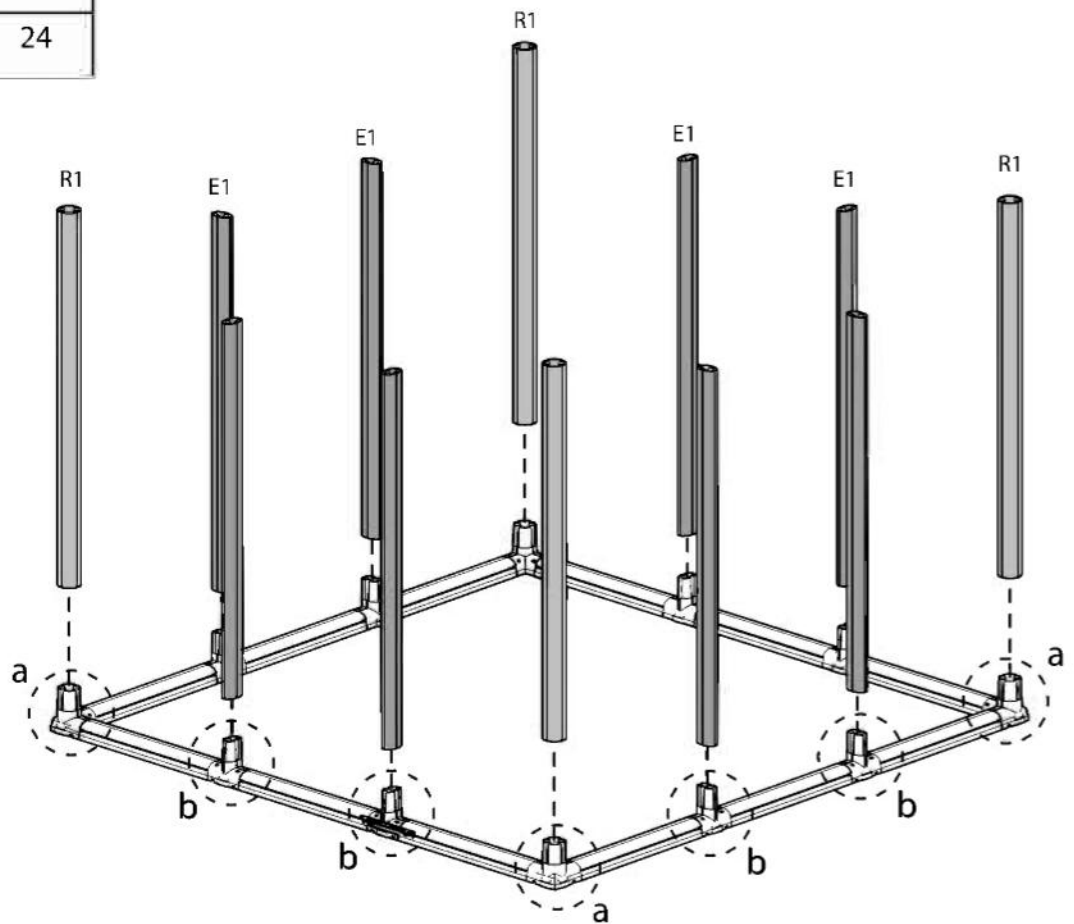


- EN** Door
- DE** Tür
- FR** Porte
- ES** Puerta





Item		Qty.
E1		8
R1		4
pin1		24

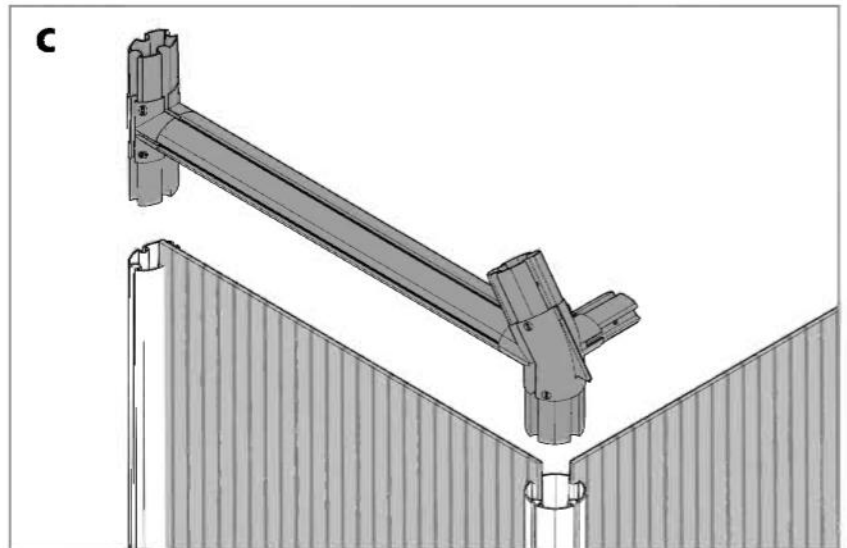
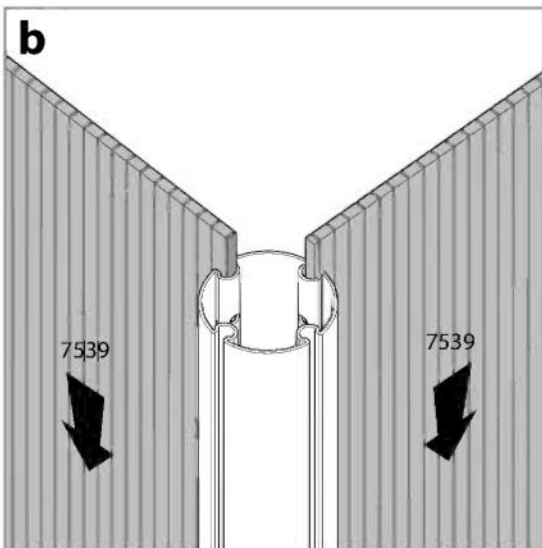
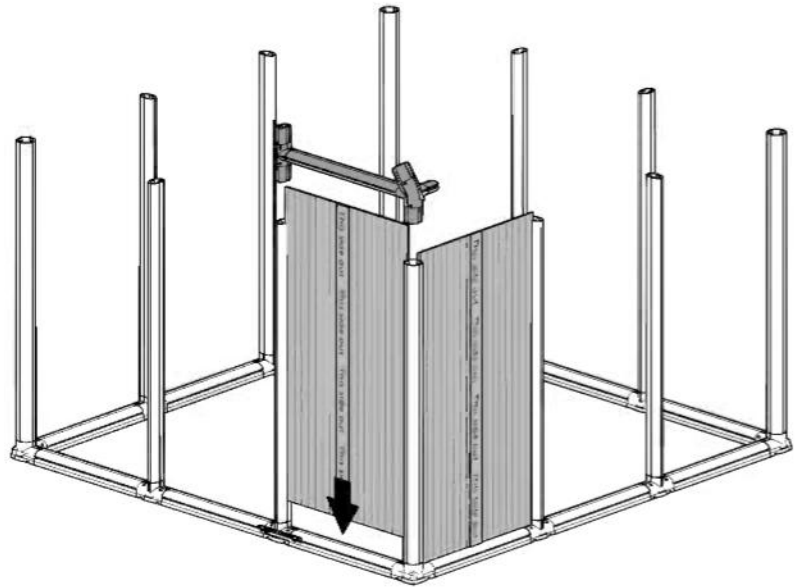
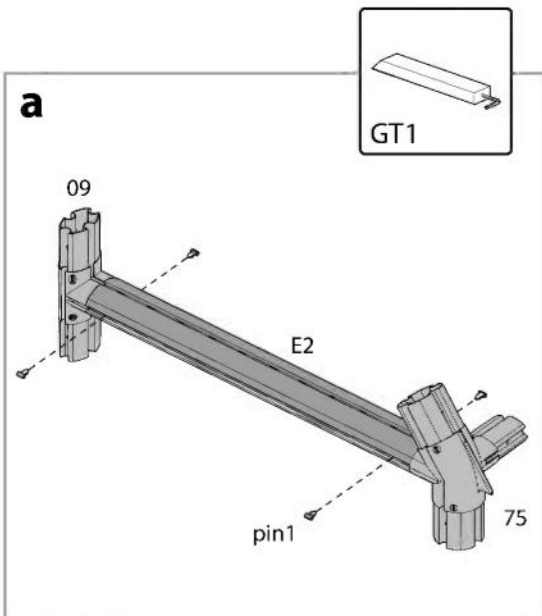




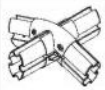

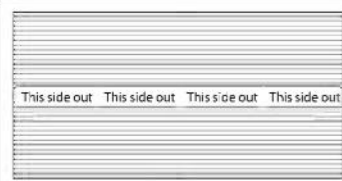

7

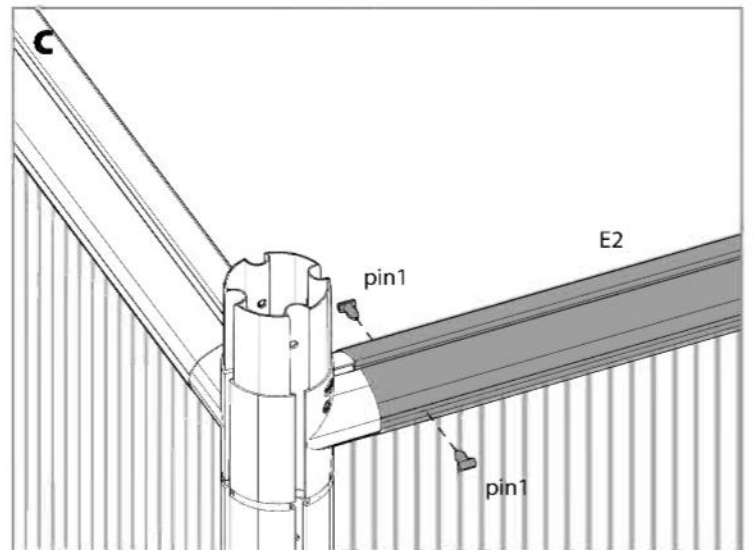
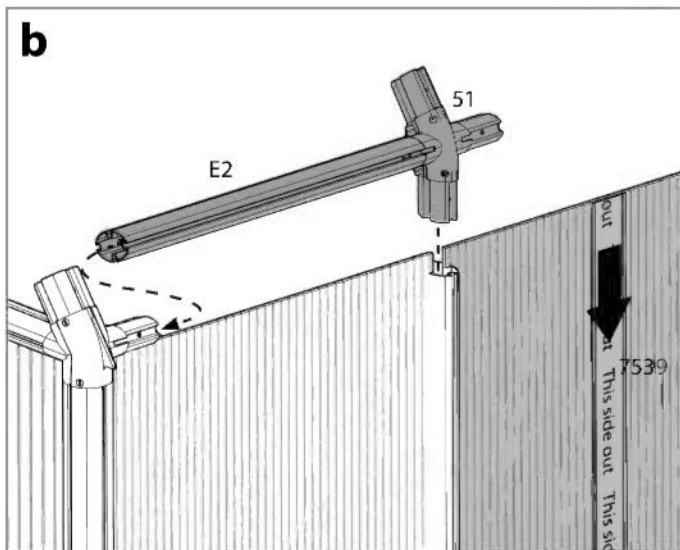
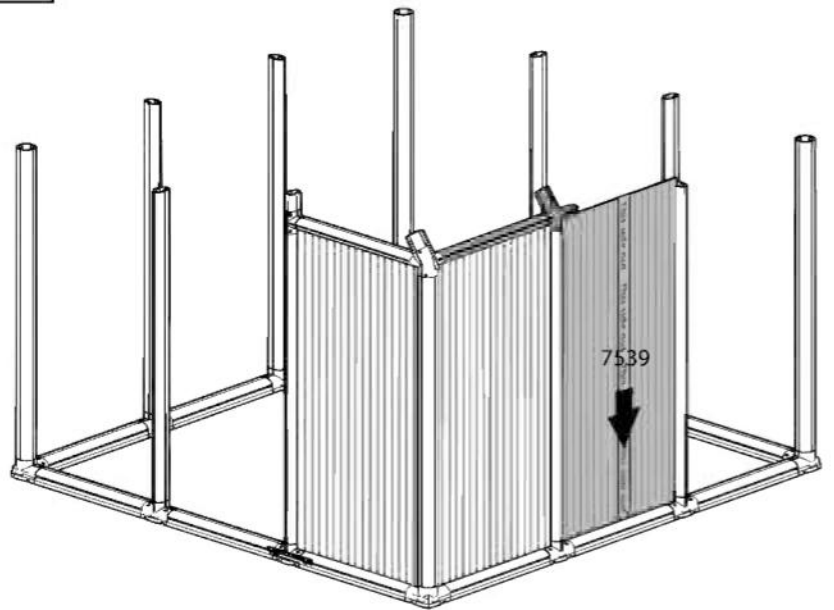
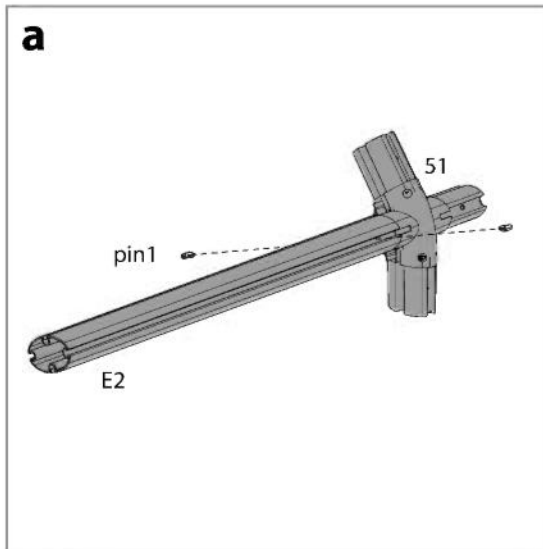
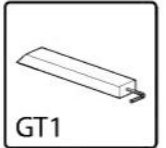
Item		Qty.
75		1
09		1
E2		1

Item		Qty.
7539		2
pin1		4









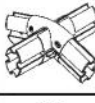
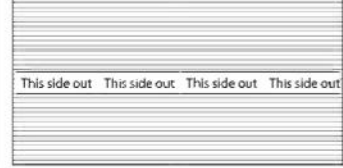


Item		Qty.
51		1
E2		1
7539		1
pin1		4

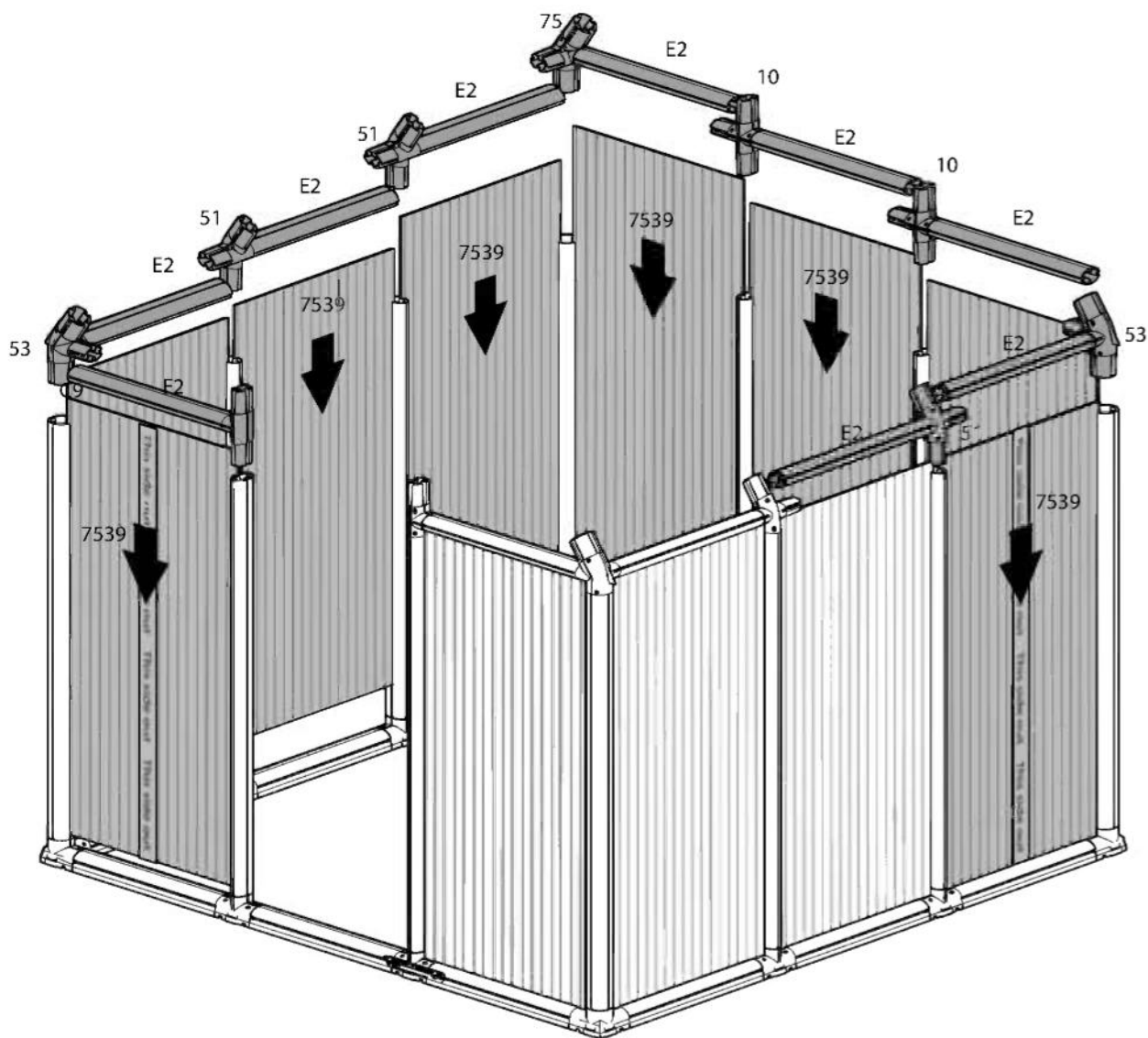
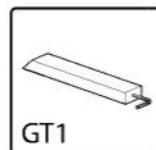




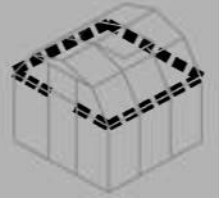
9 **i**


Wall's assembly must be done gradually, #1 insert the panel, #2 insert the profile and #3 insert the pin, in accordance with the drawings in step 8.

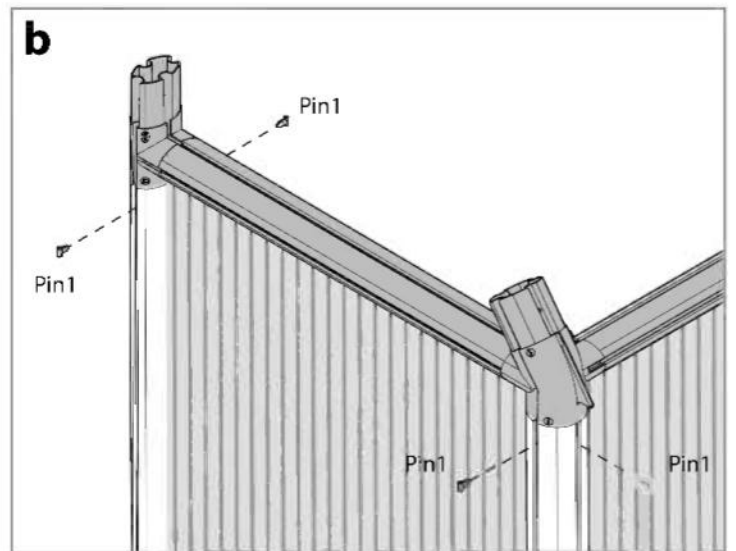
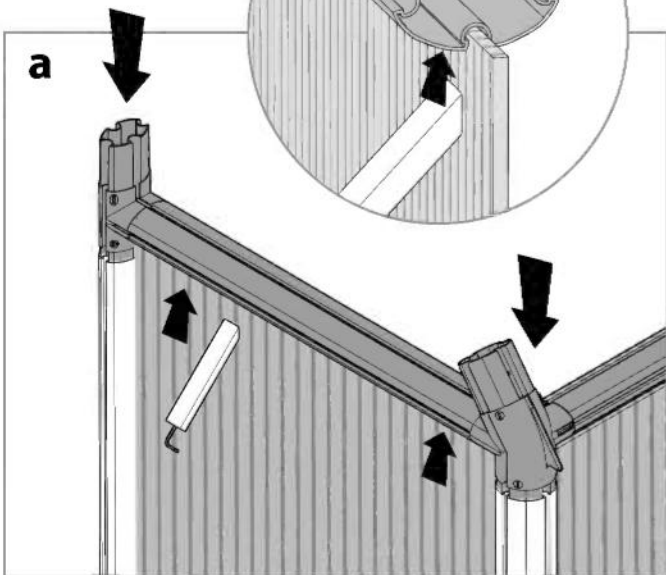
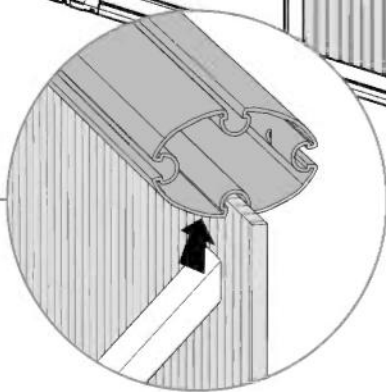
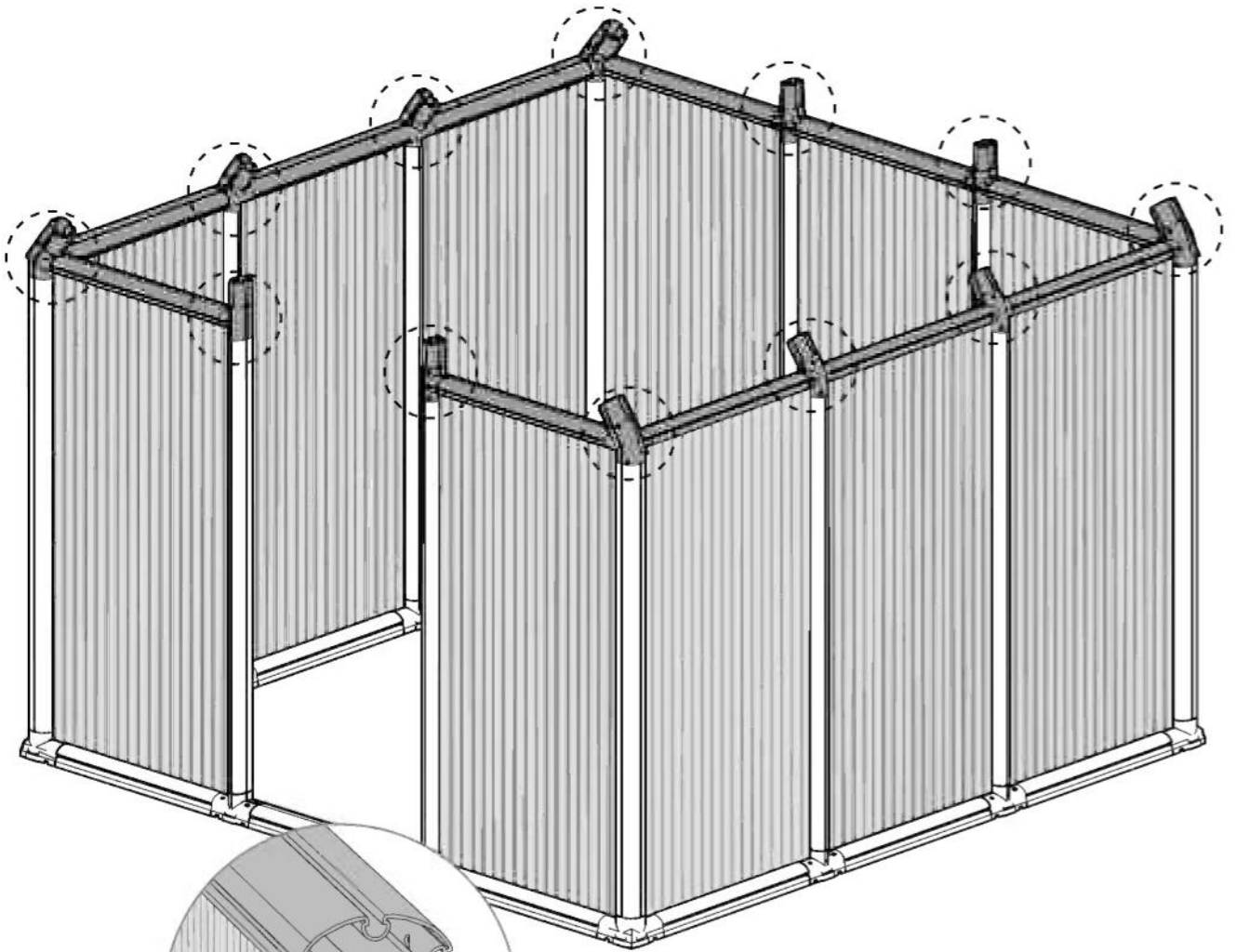
Item		Qty.	Item		Qty.
75		1	E2		9
53		2	10		2
51		3	7539		8
09		1	pin1		36





10

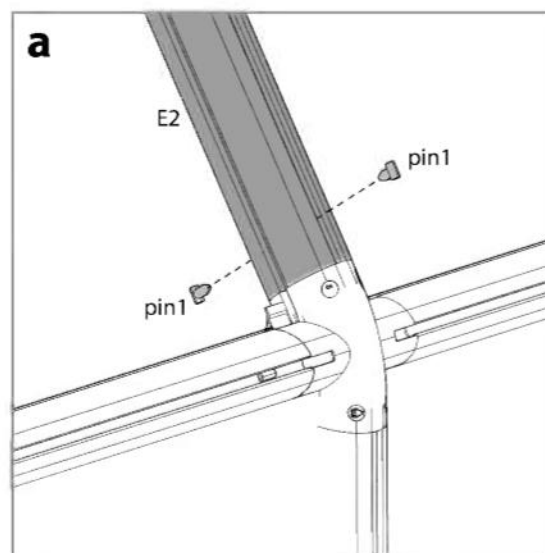
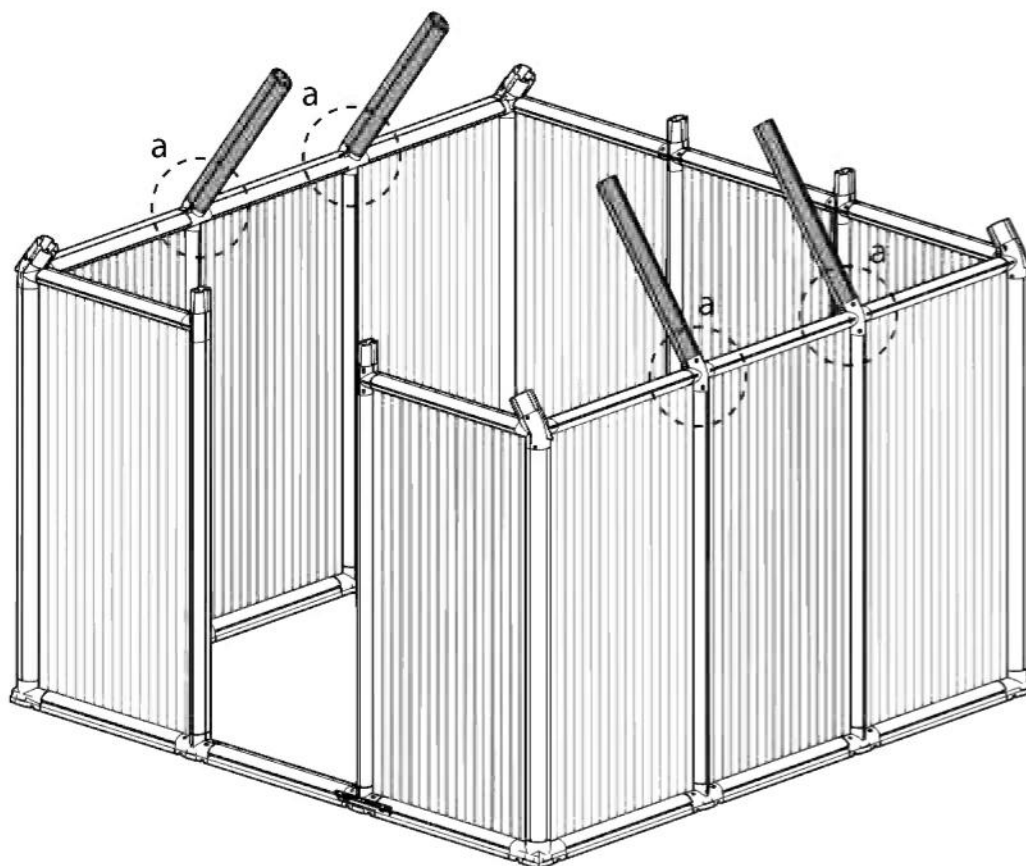
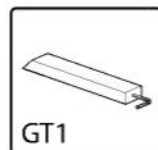


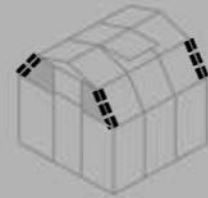
Item		Qty.
pin1		24


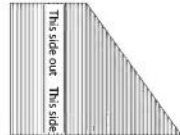




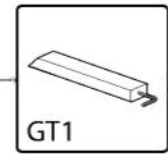
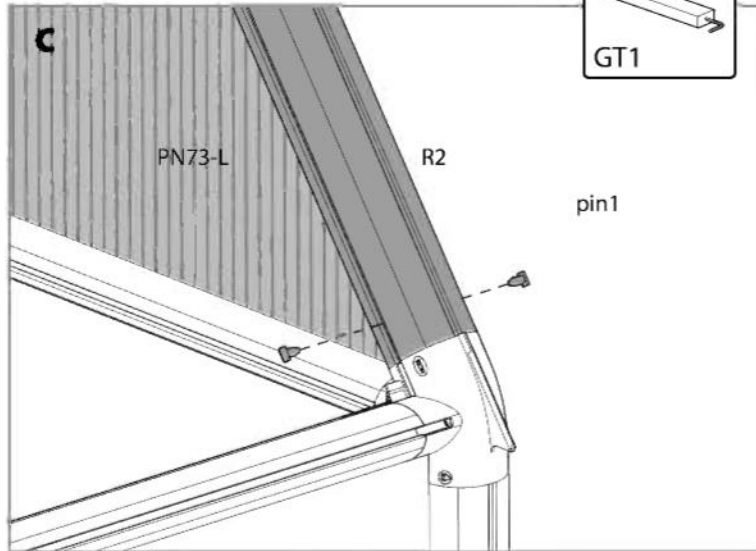
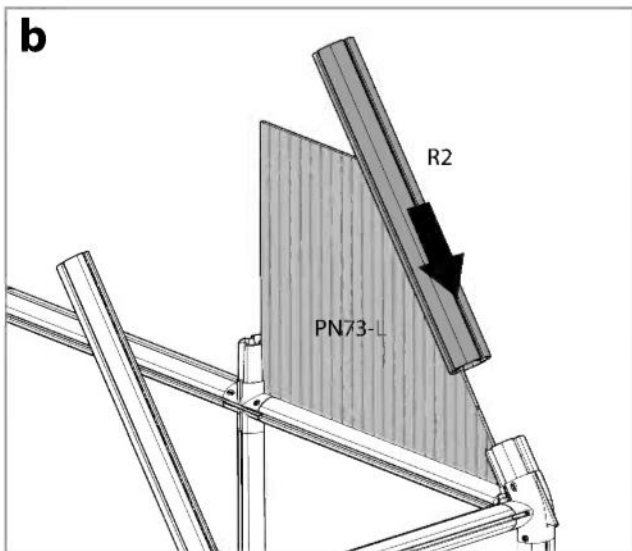
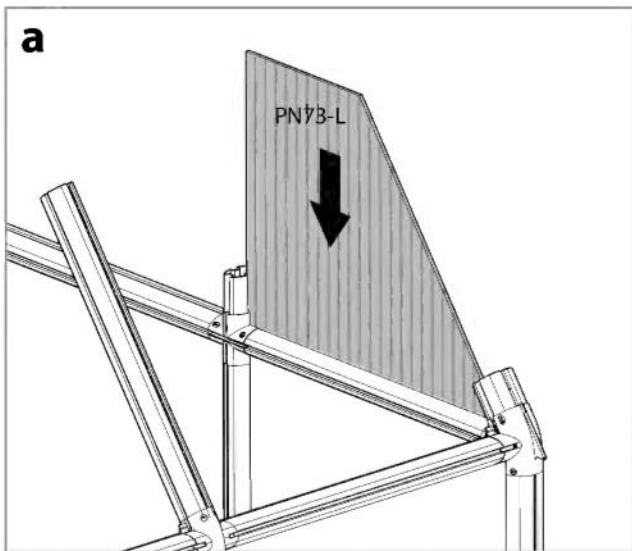
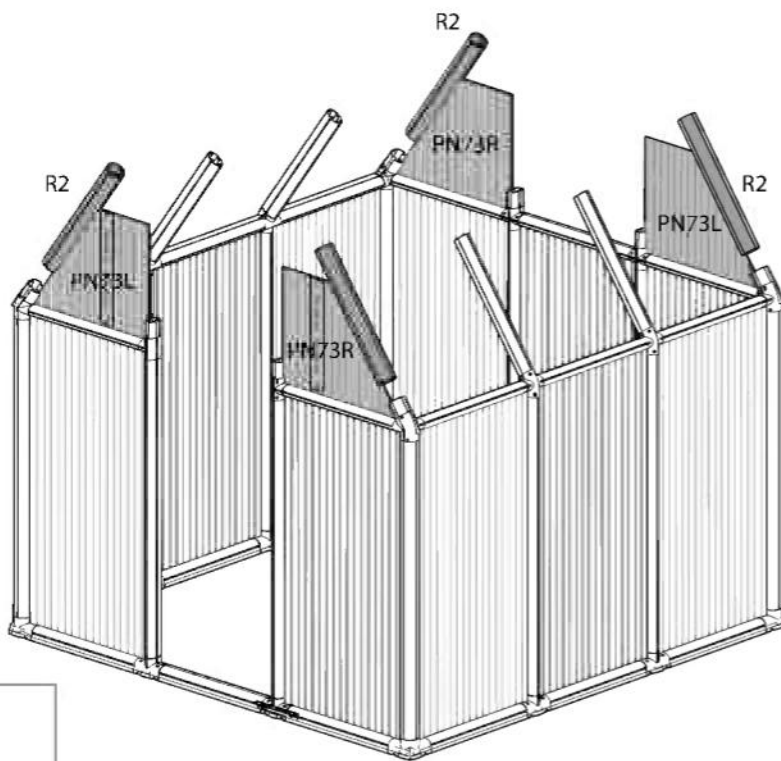


Item		Qty.
E2		4
pin1		8





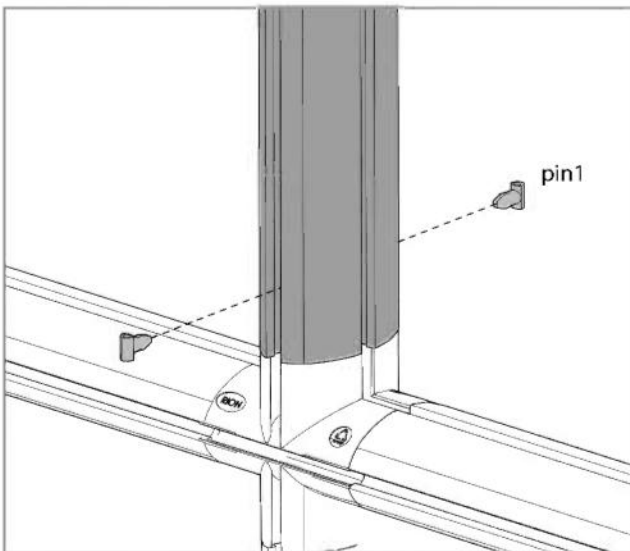
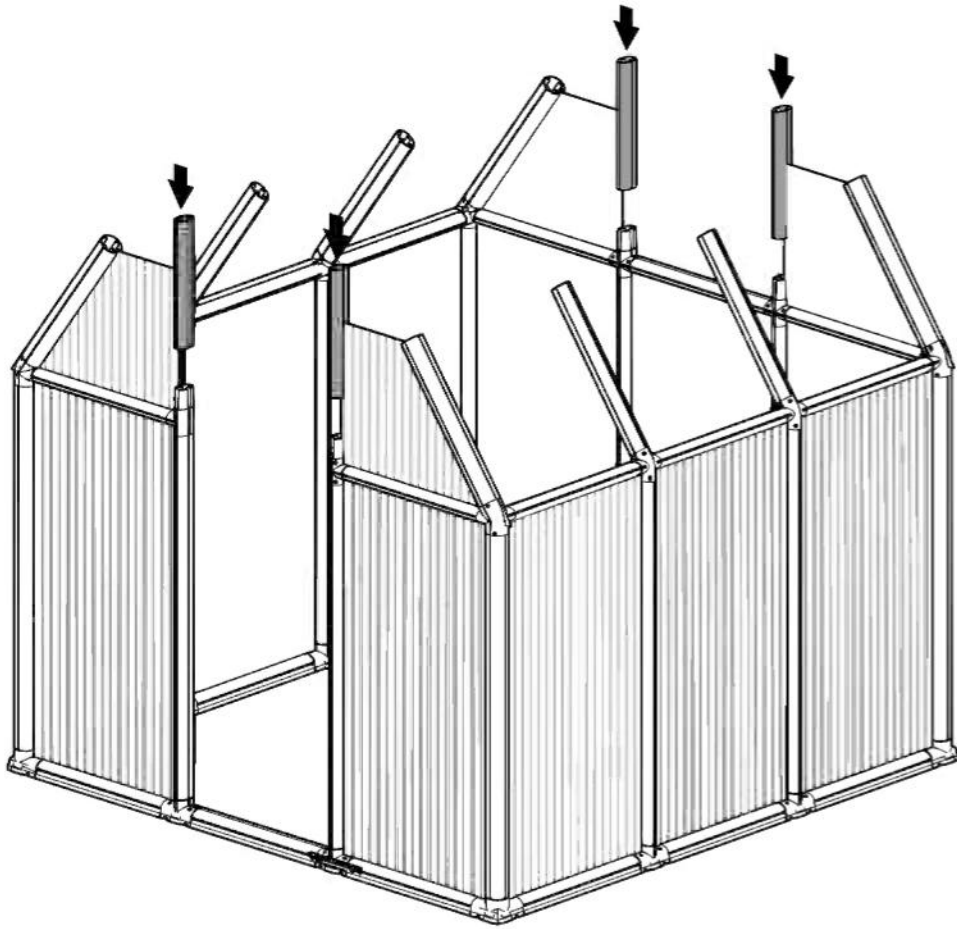
Item		Qty.
R2		4
PN73-R		2
PN73-L		2
pin1		8

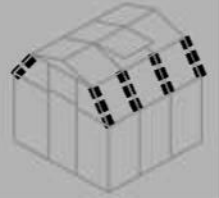



pin1

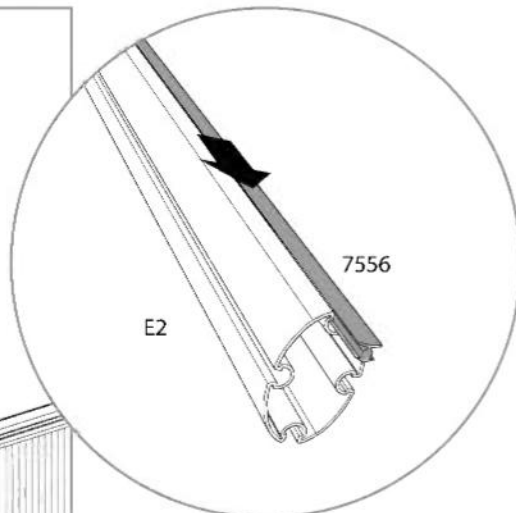
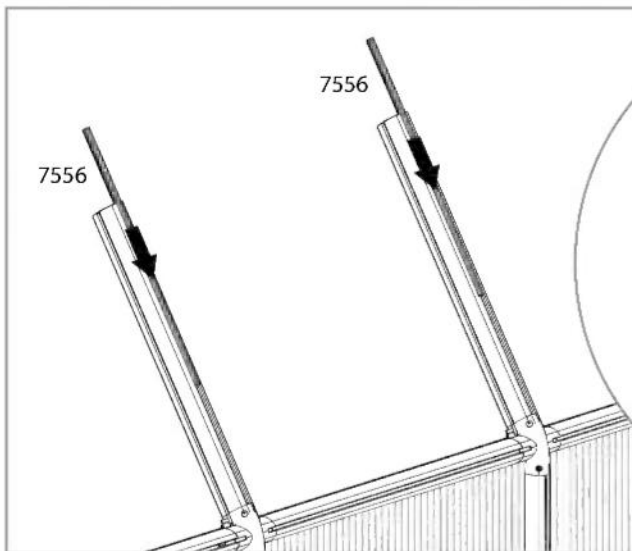
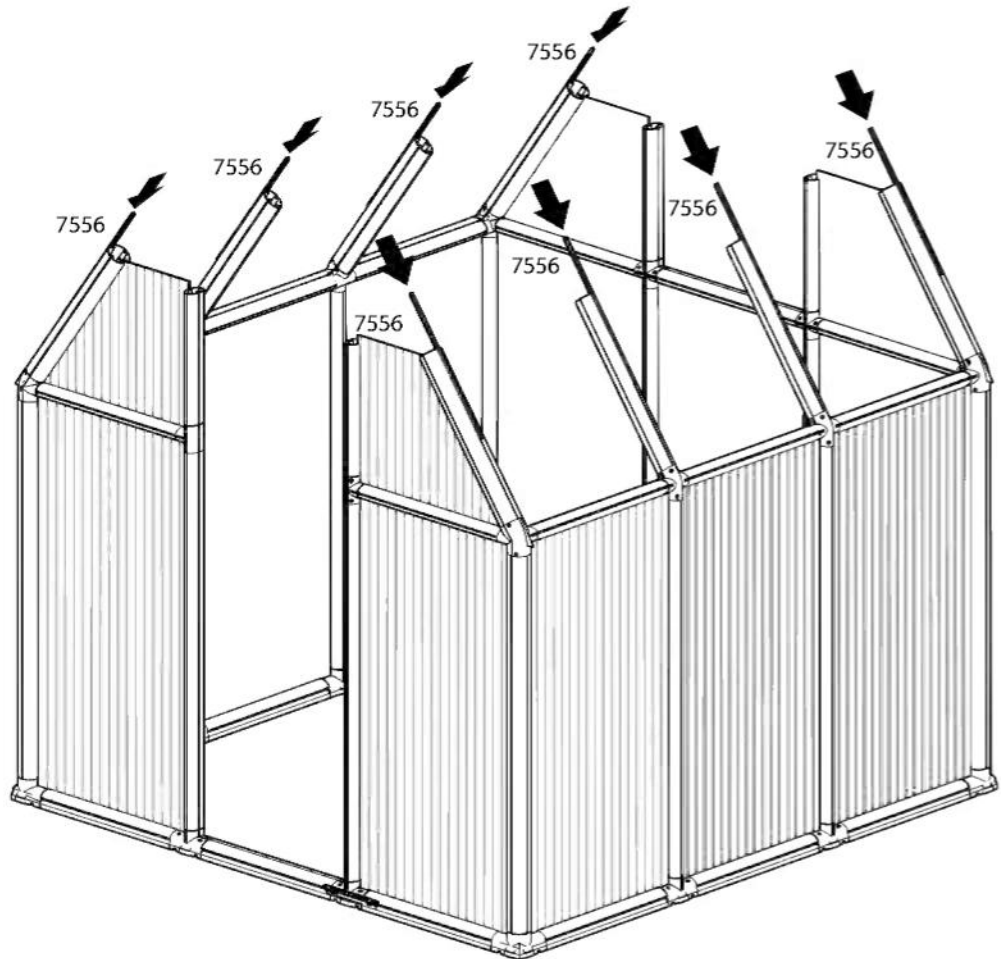


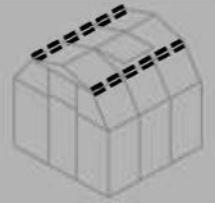
Item		Qty.
E4		4
pin1		8






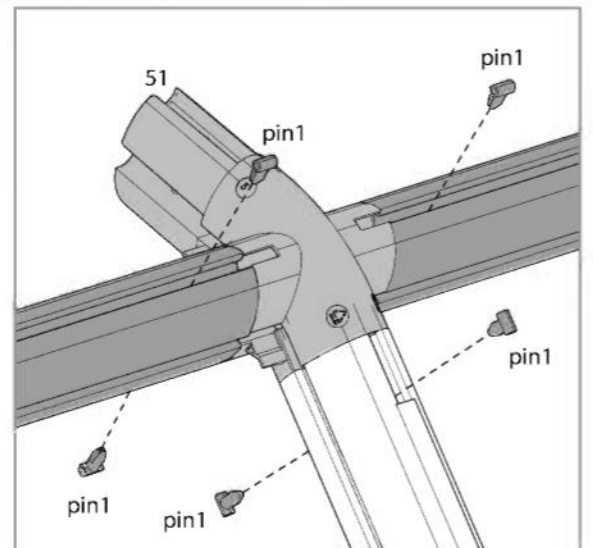
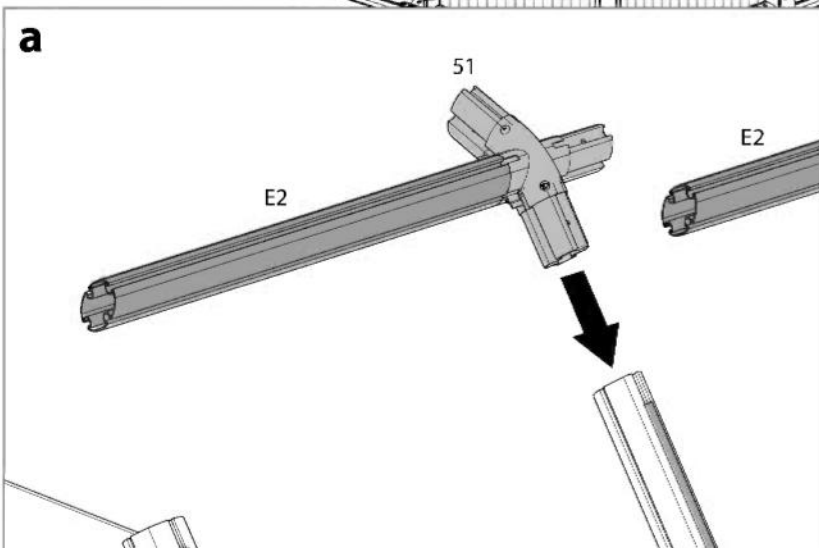
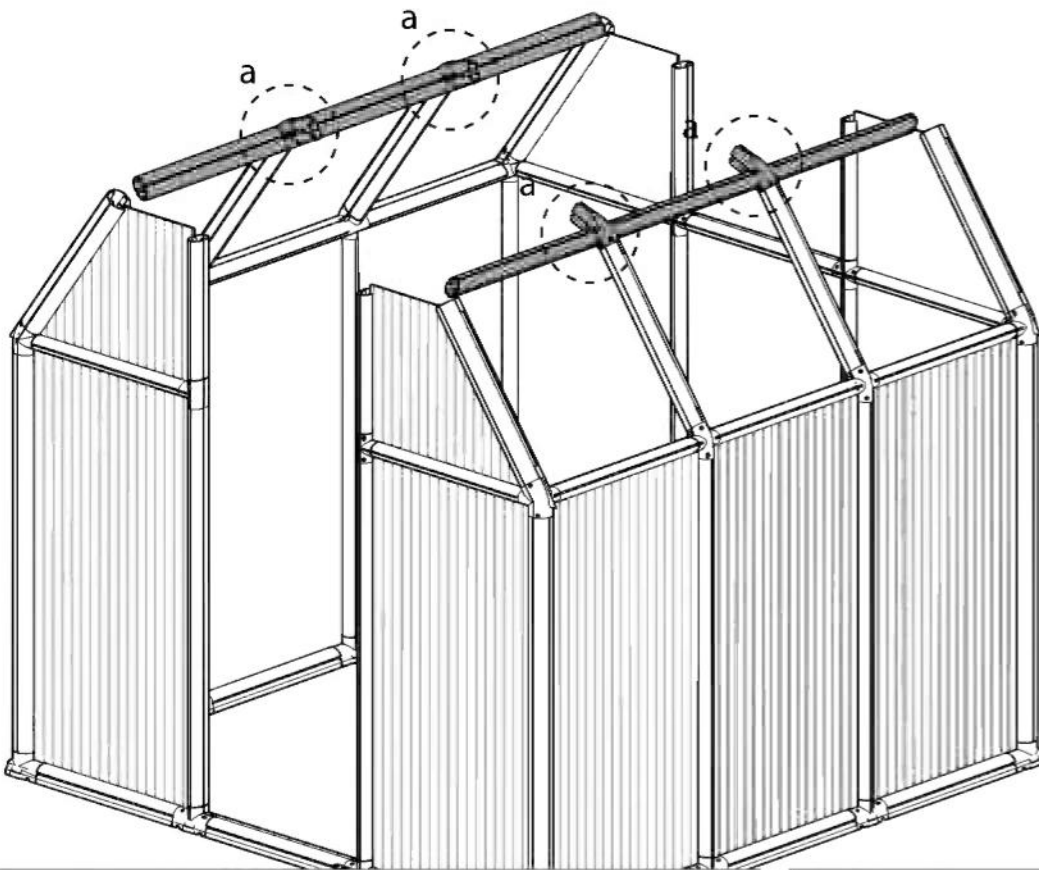


Item		Qty.
7556		8



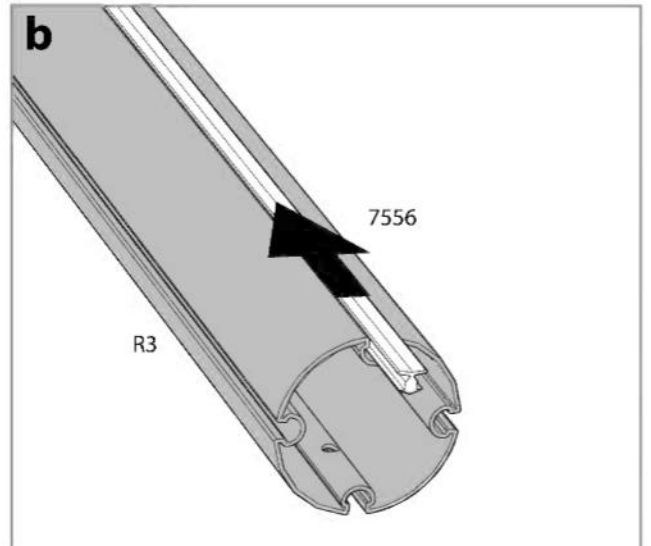
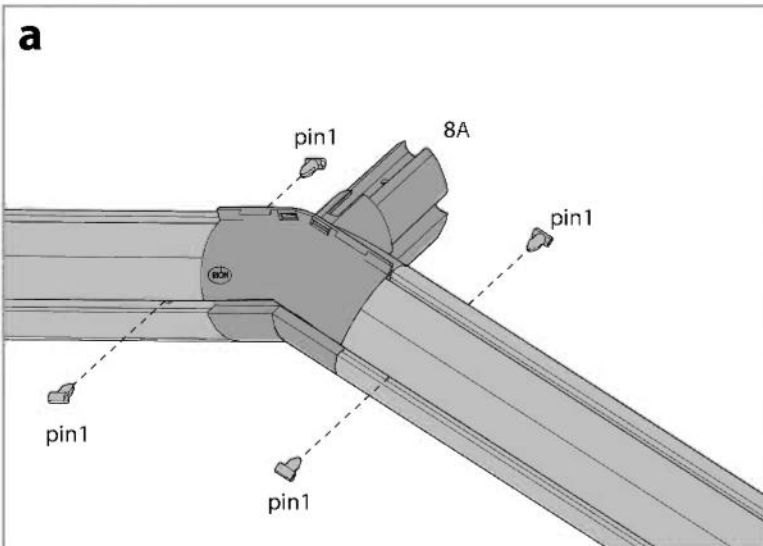
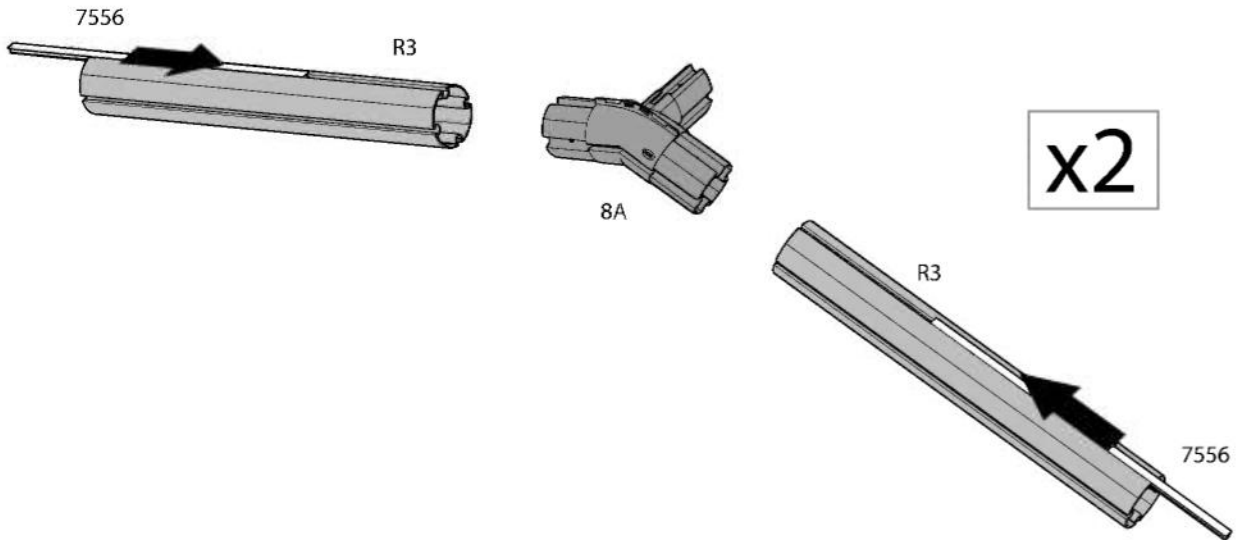


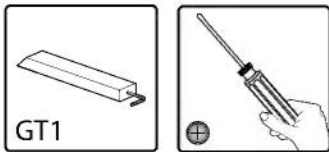
Item		Qty.
E2		6
51		4
pin1		24





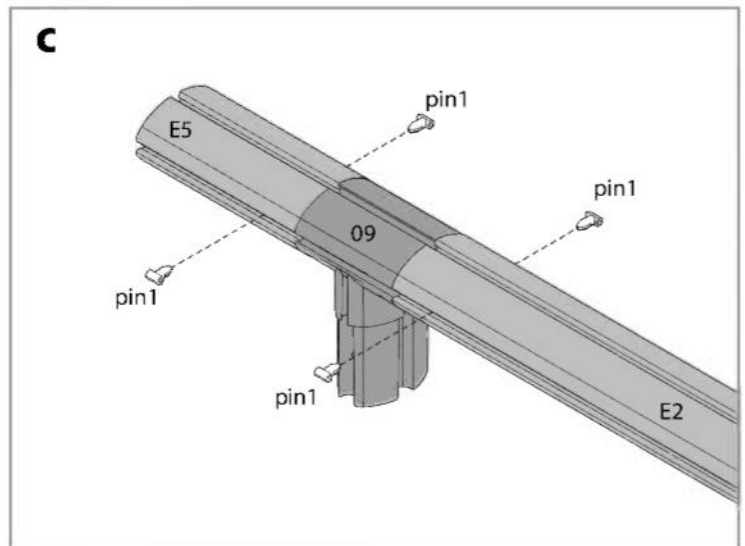
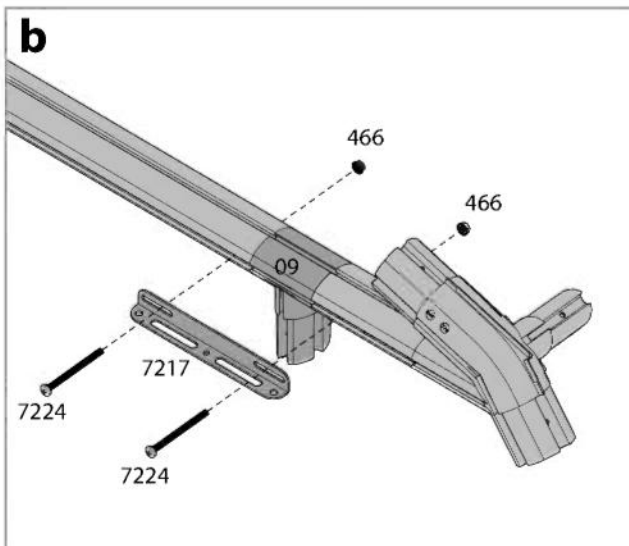
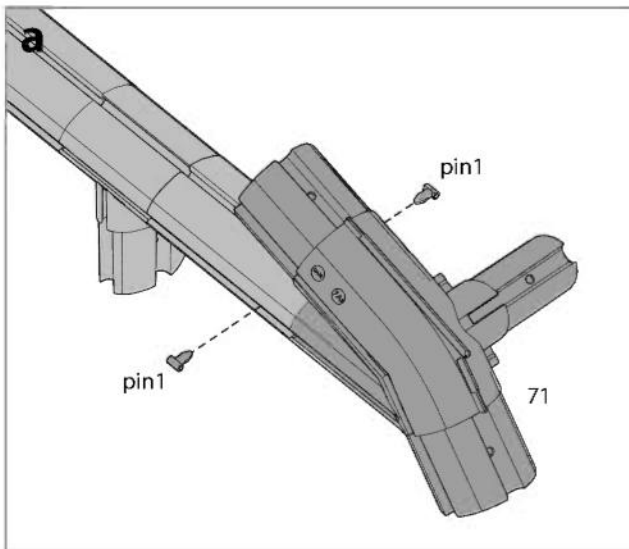
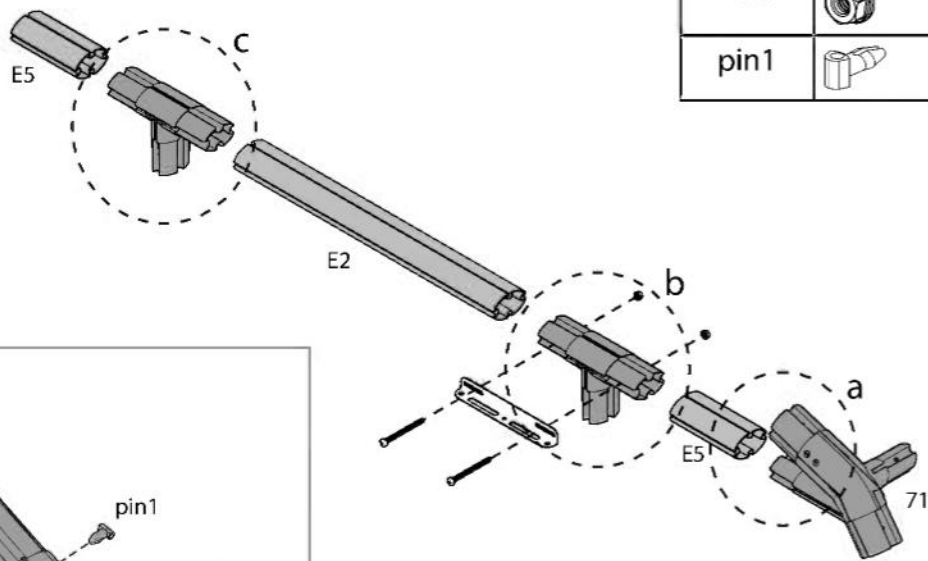
Item		Qty.
R3		4
7556		4
8A		2
pin1		8




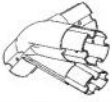



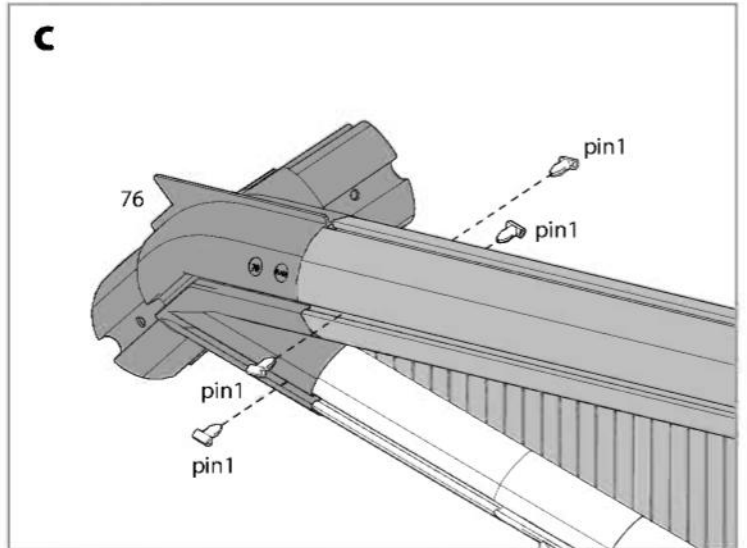
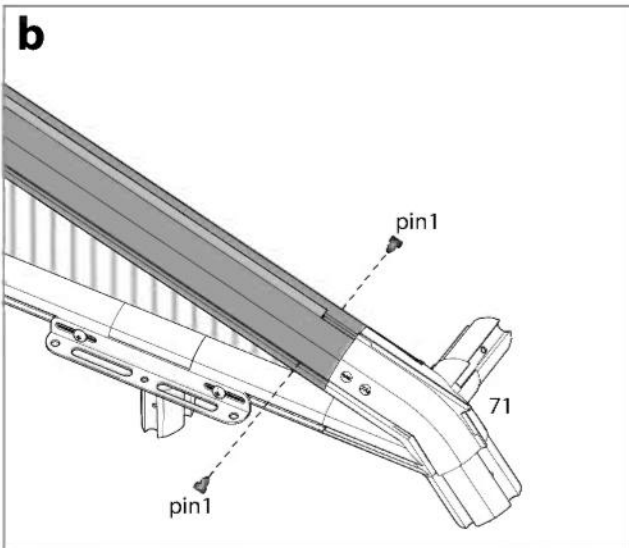
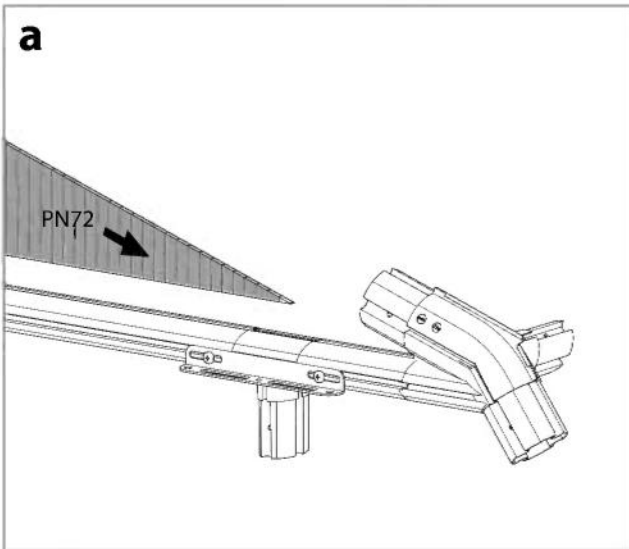
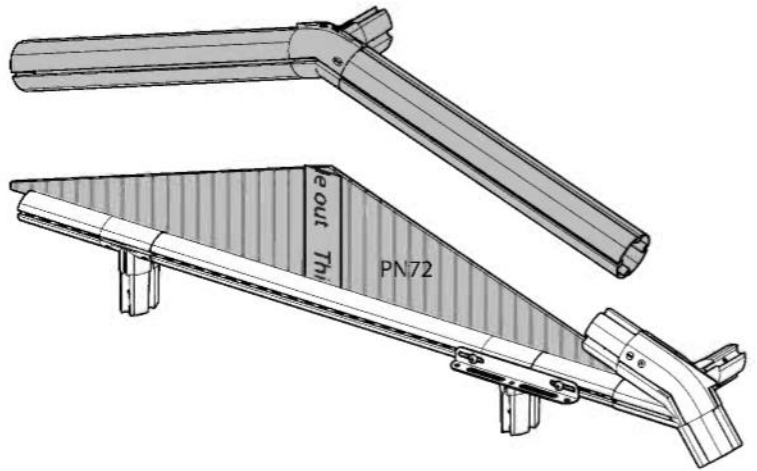
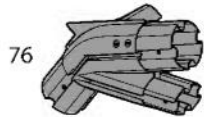
Item		Qty.
71		1
E5		2
E2		1

Item		Qty.
09		2
7224		2
7217		1
466		2
pin1		6




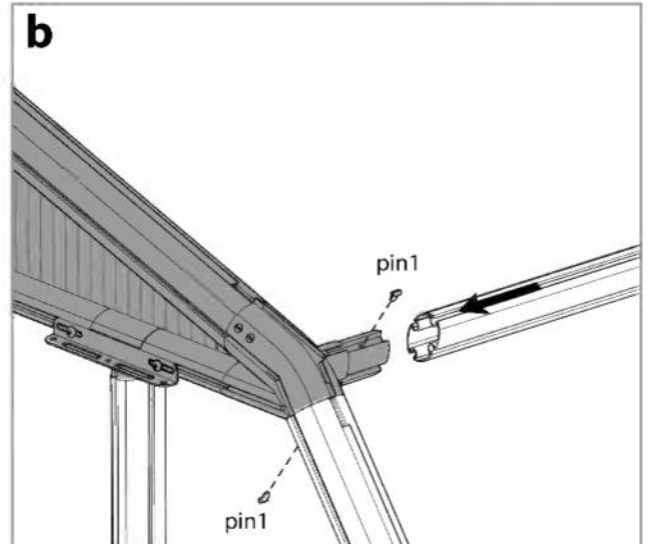
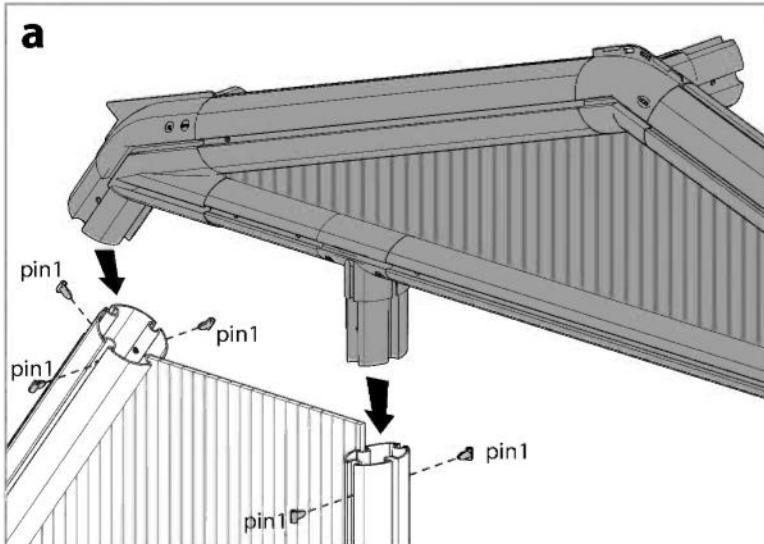
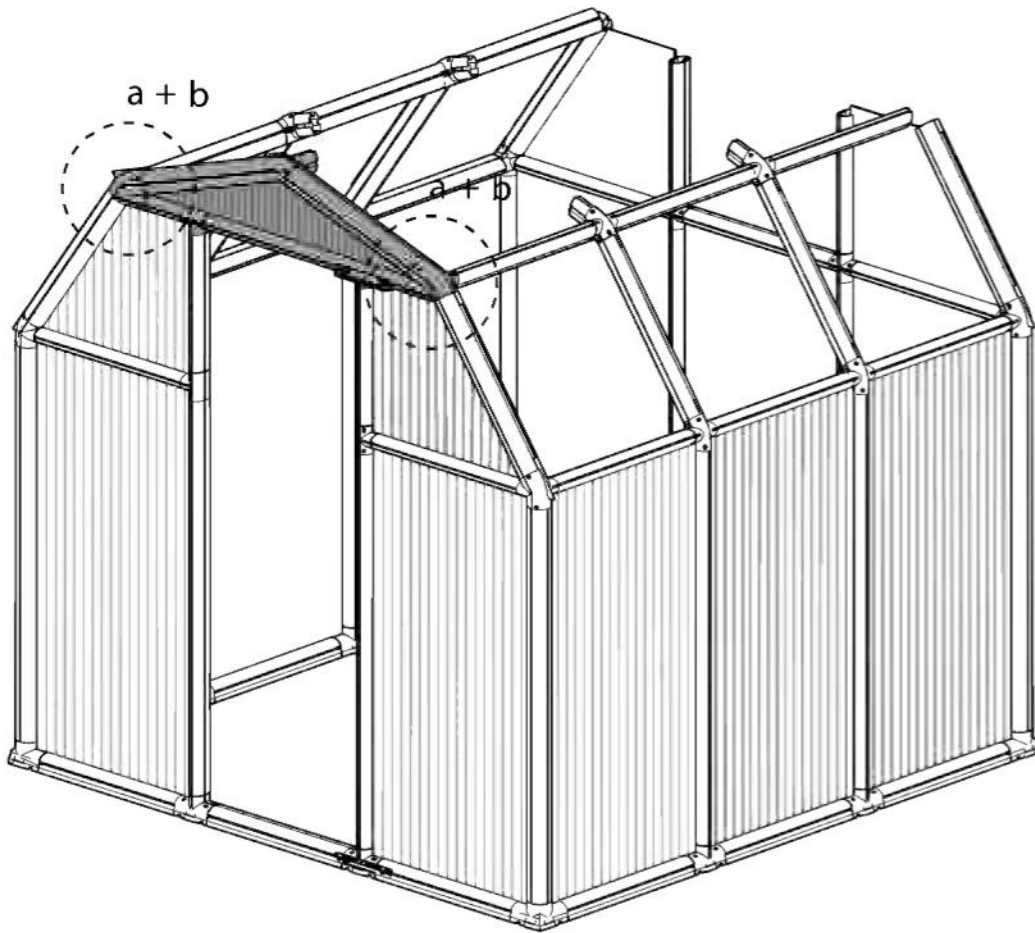


Item		Qty.
PN72		1
76		1
pin1		6




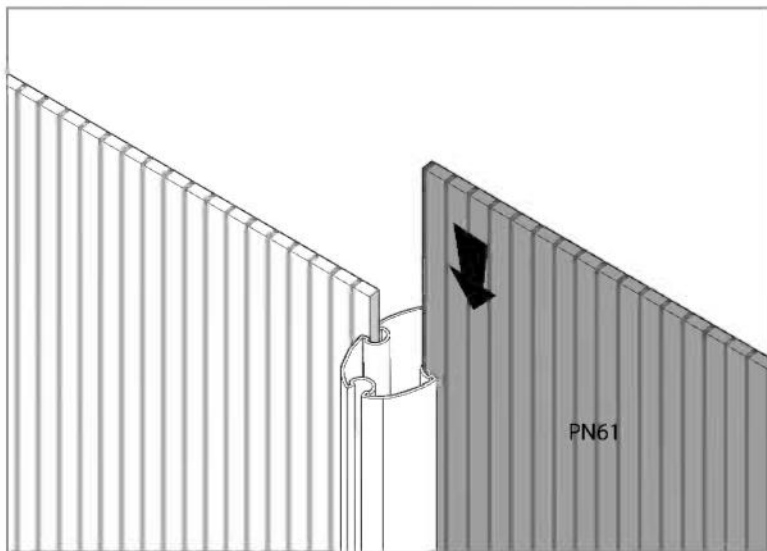
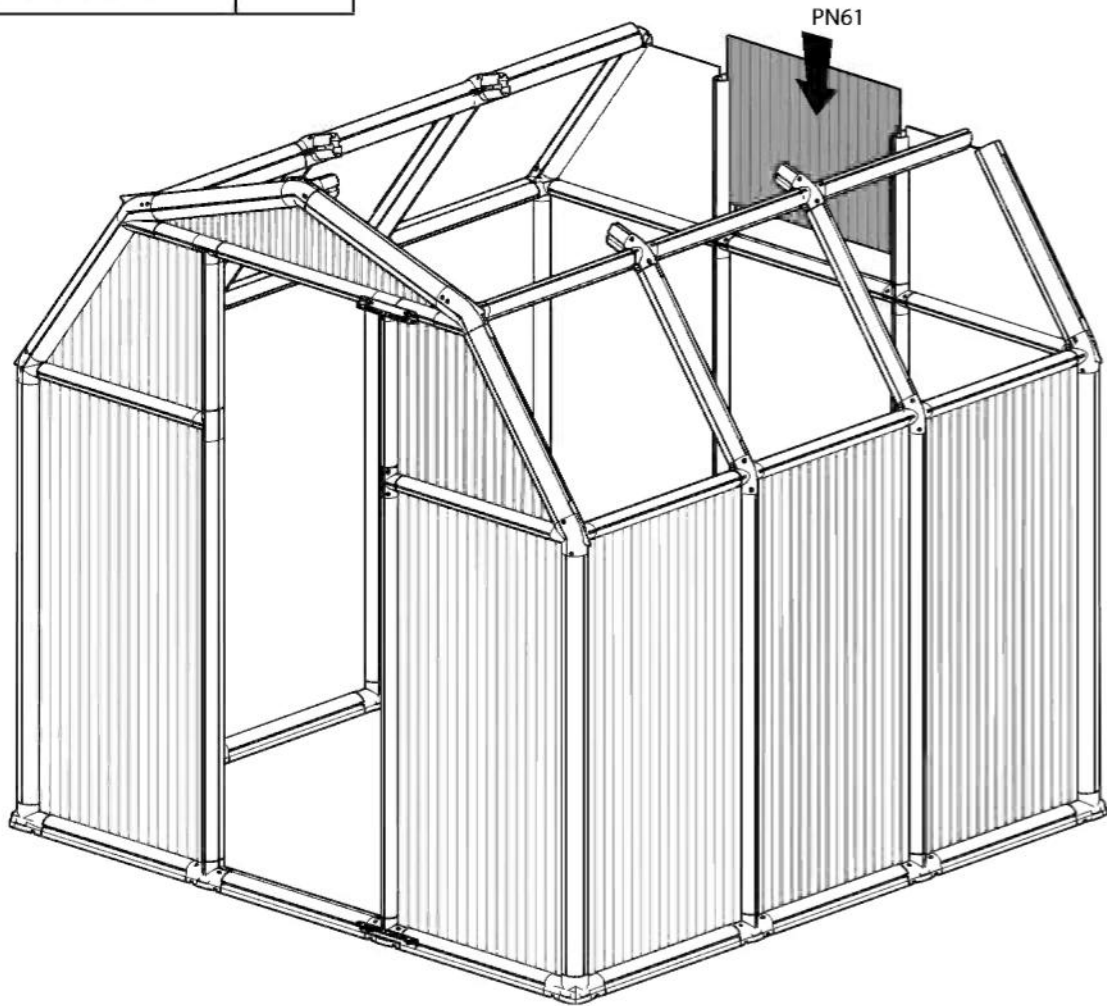


Item		Qty.
pin1		14



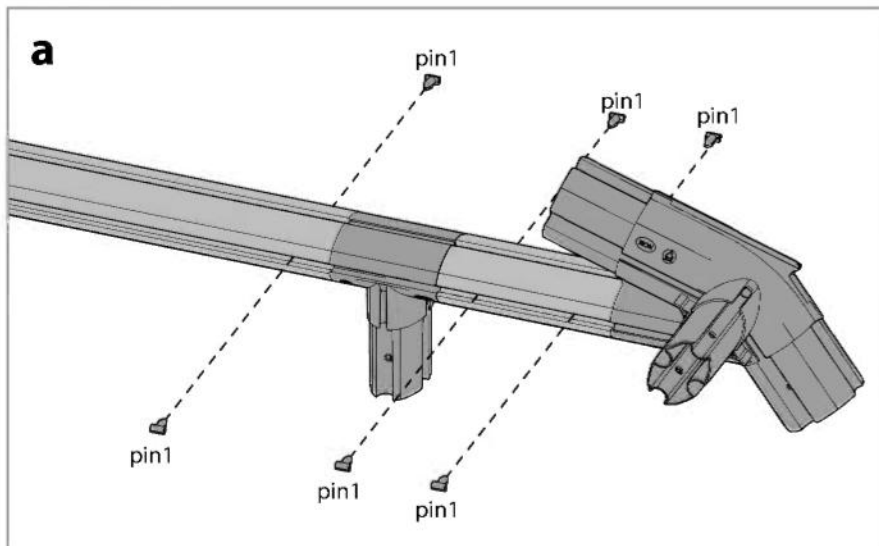
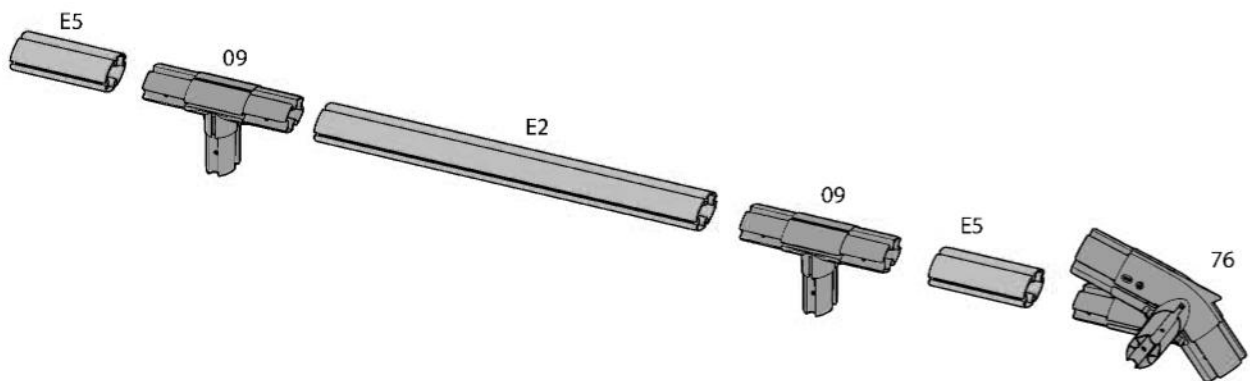


Item		Qty.
PN61	 This side out This side	1



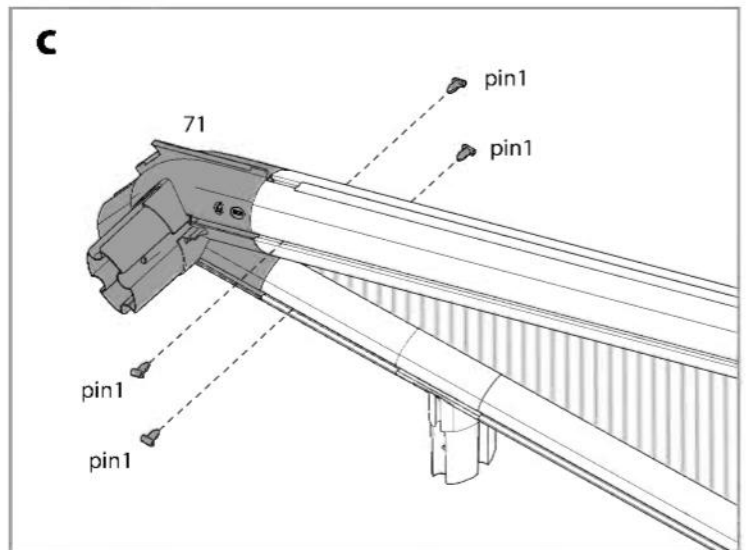
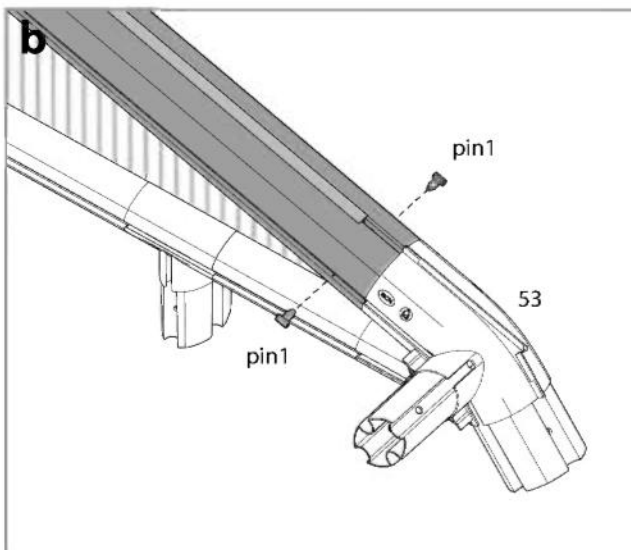
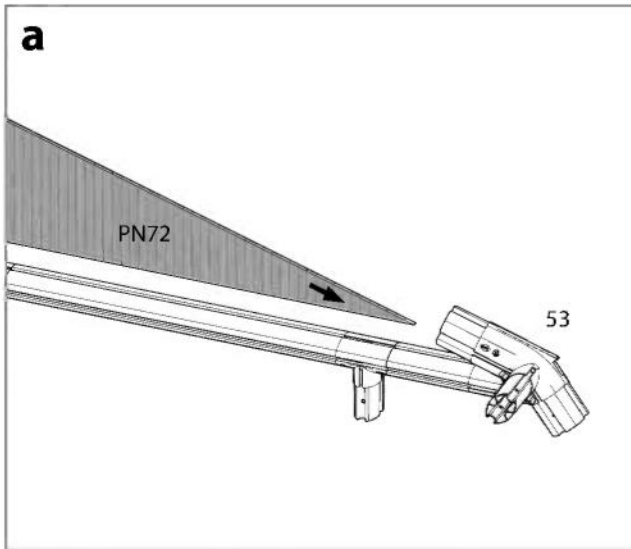
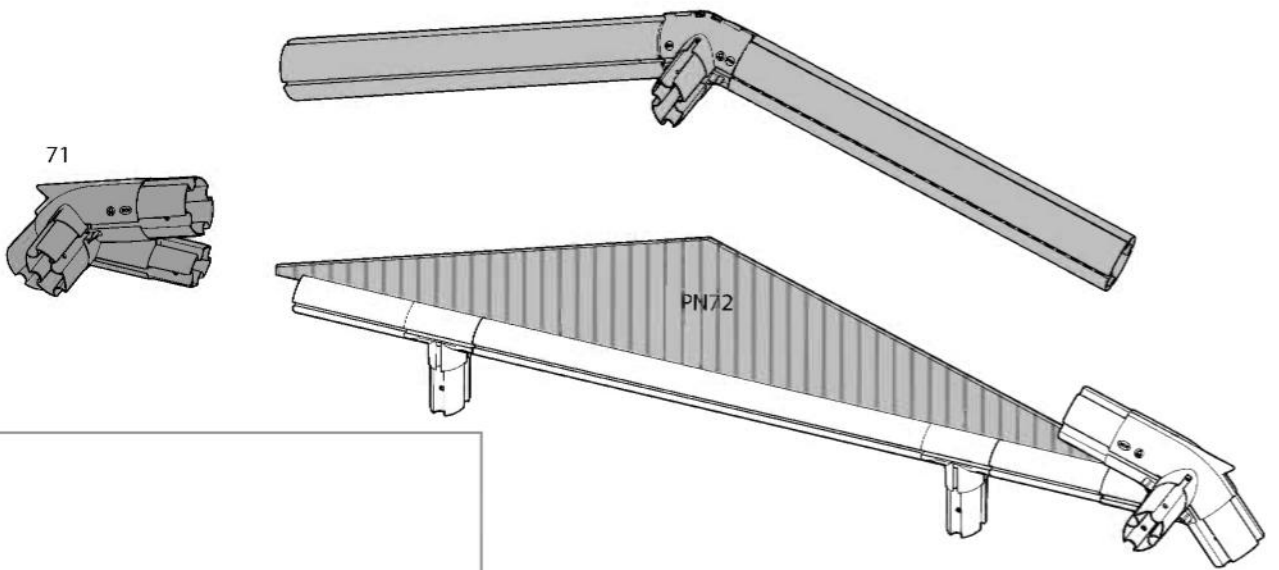
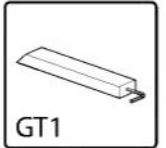


Item		Qty.
76		1
09		2
E5		2
E2		1
pin1		10




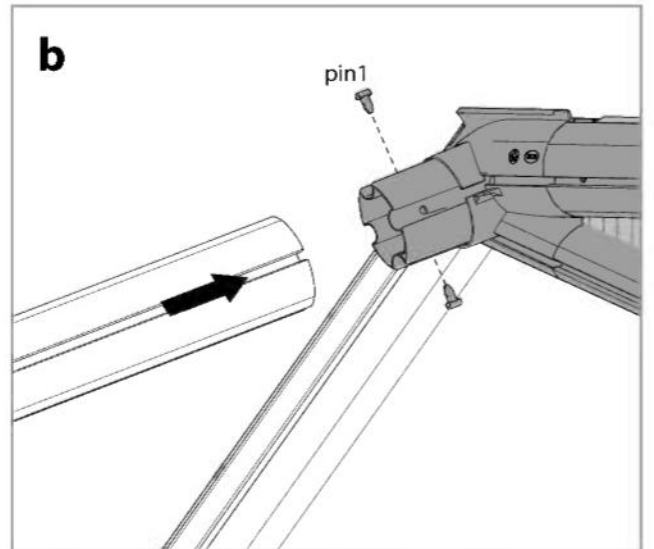
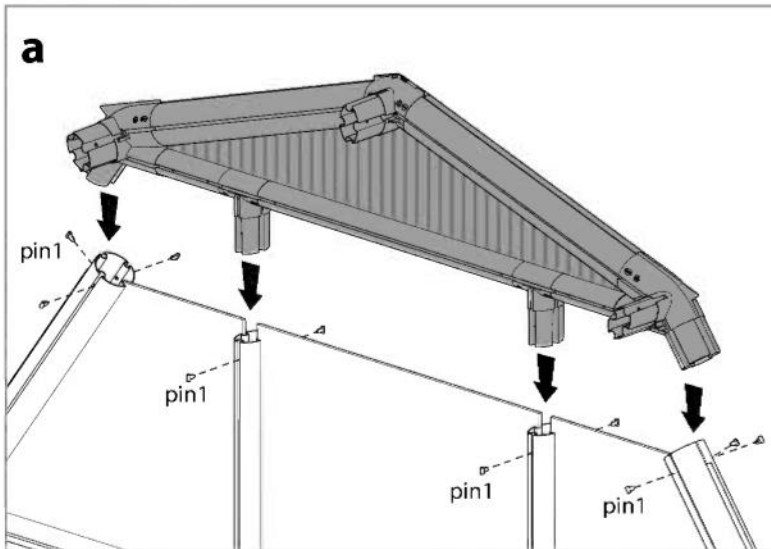
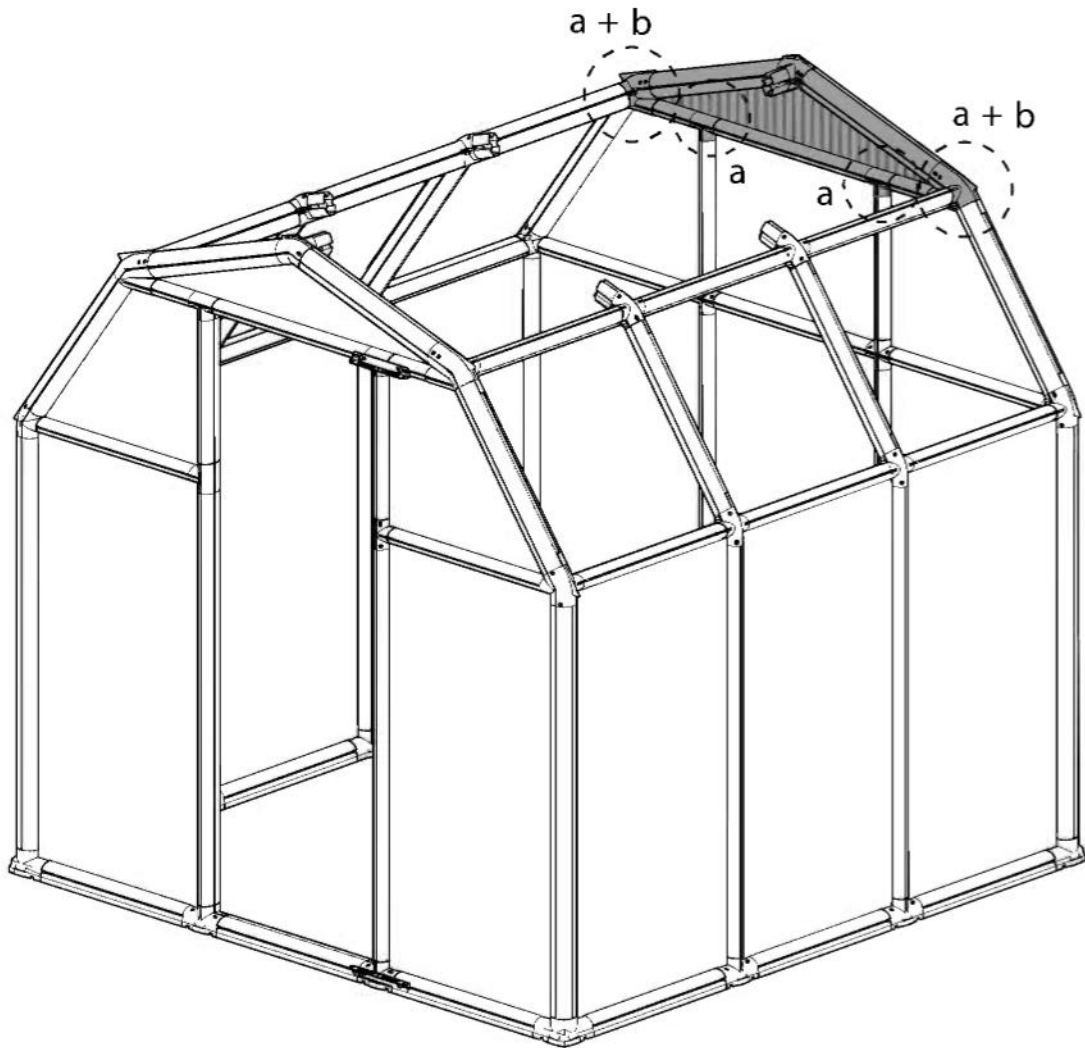
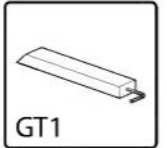


Item		Qty.
71		1
pin1		6






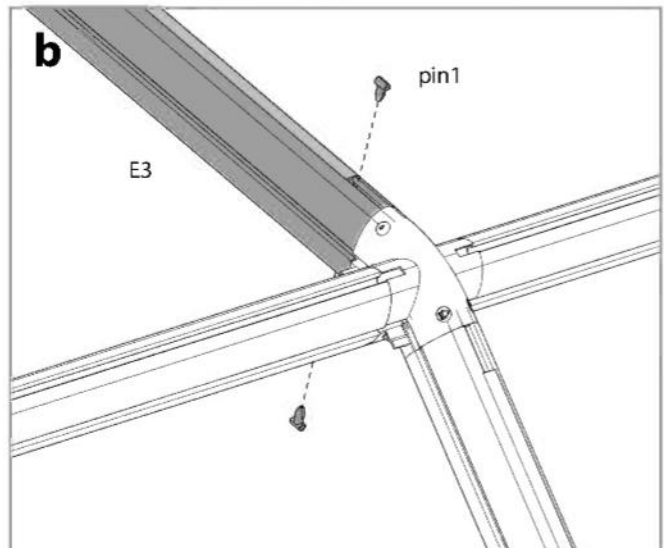
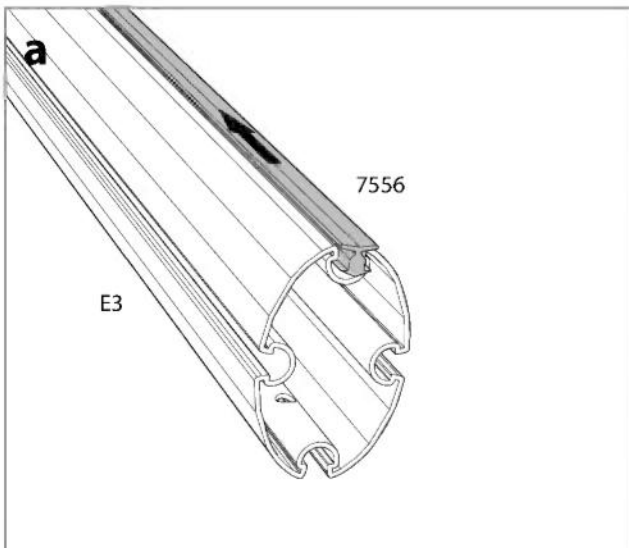
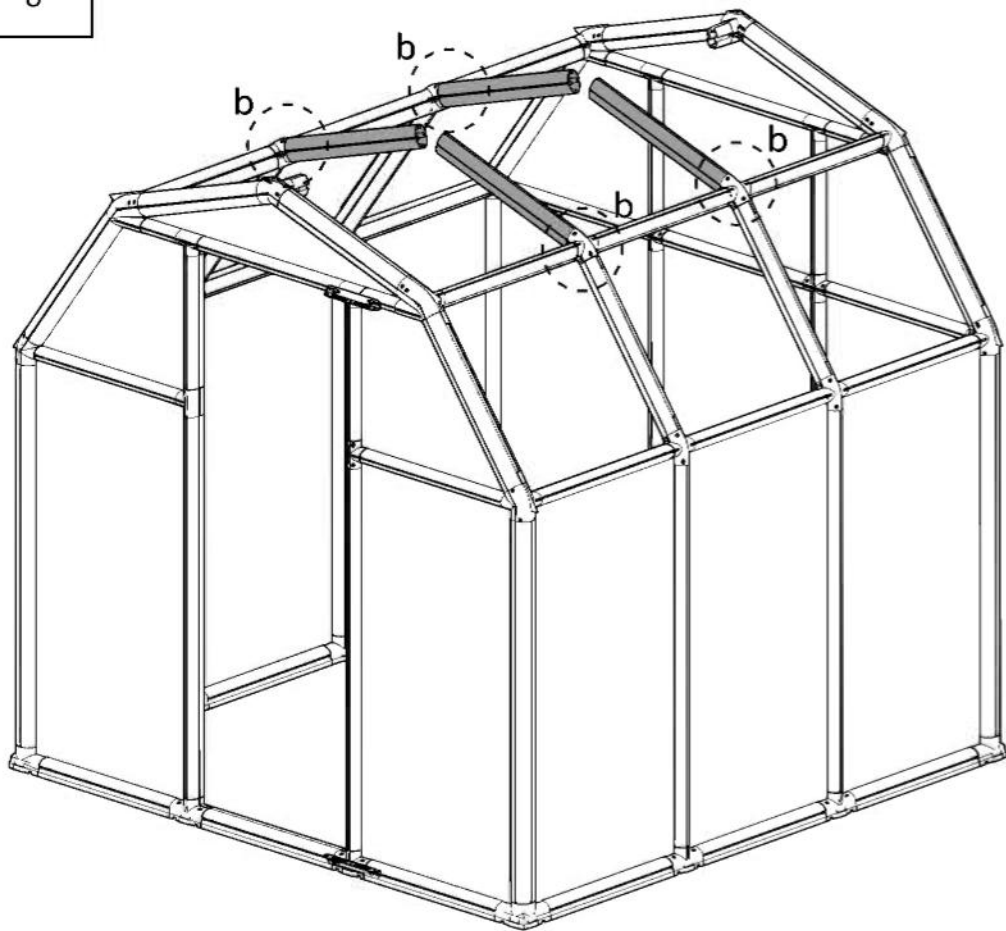


Item		Qty.
pin1		14





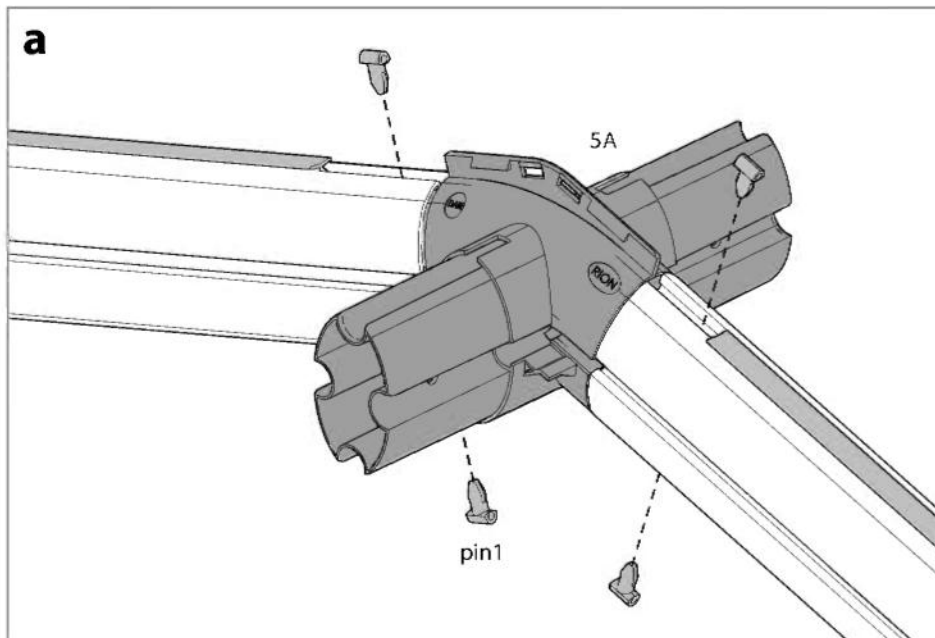
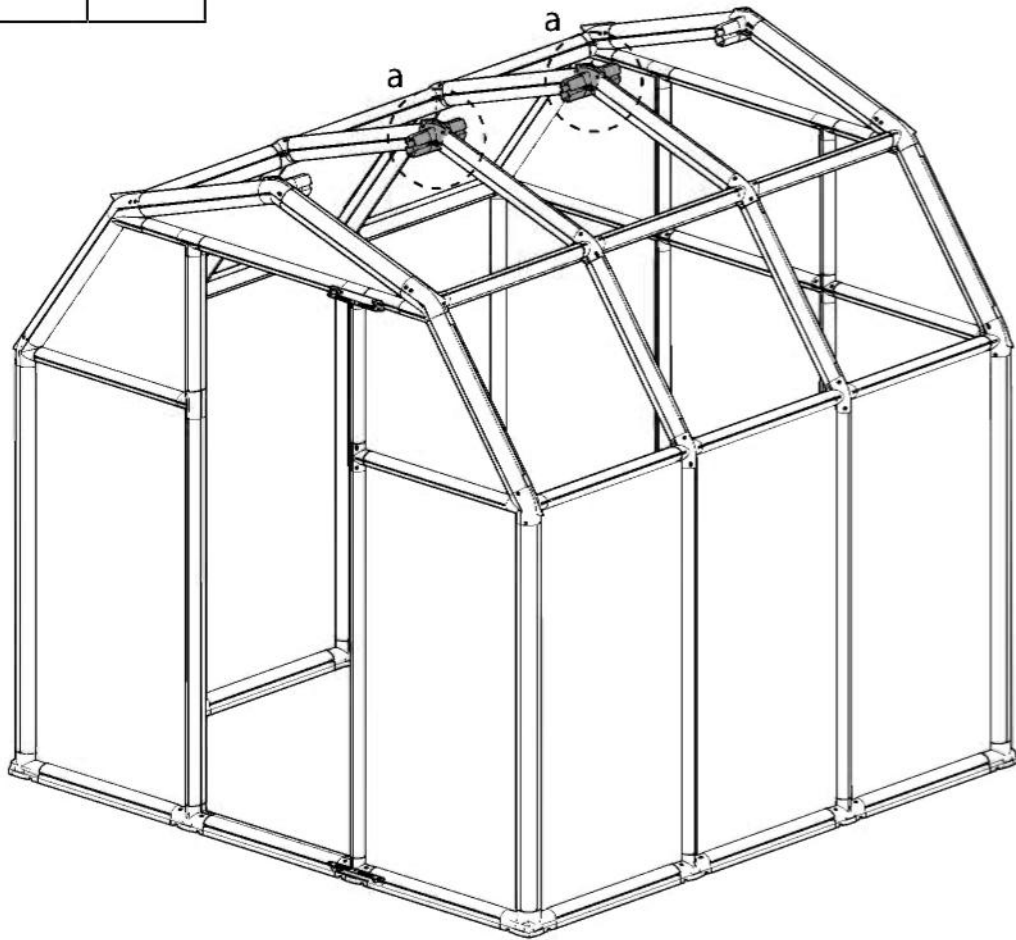


Item		Qty.
E3		4
7556		4
pin1		8





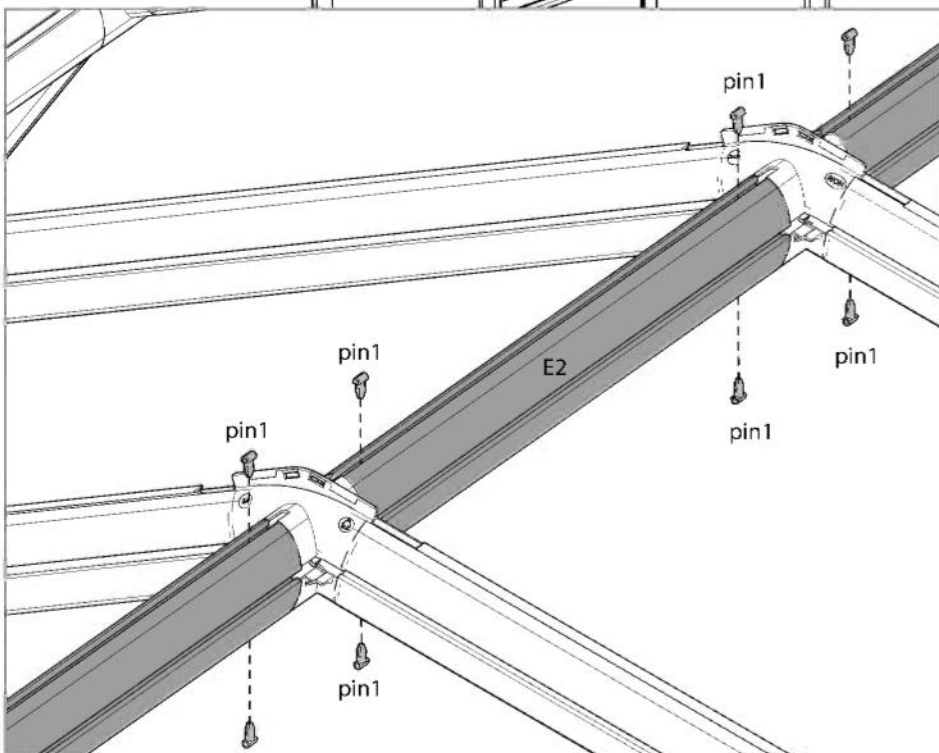
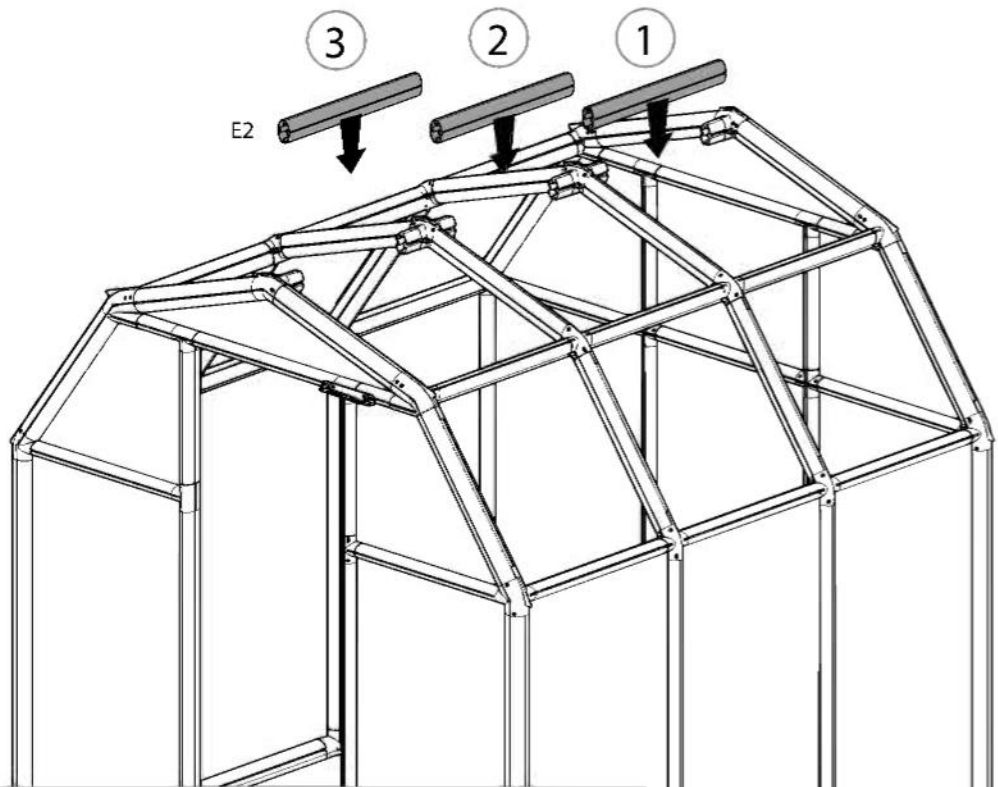


Item		Qty.
5A		2
pin1		8



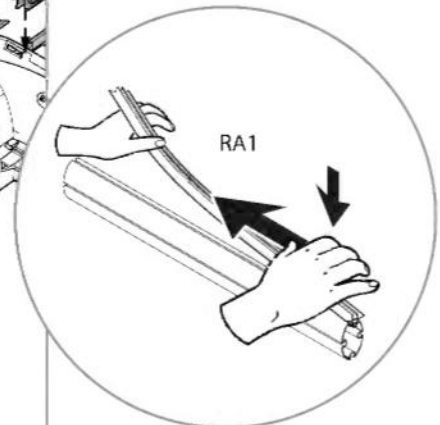
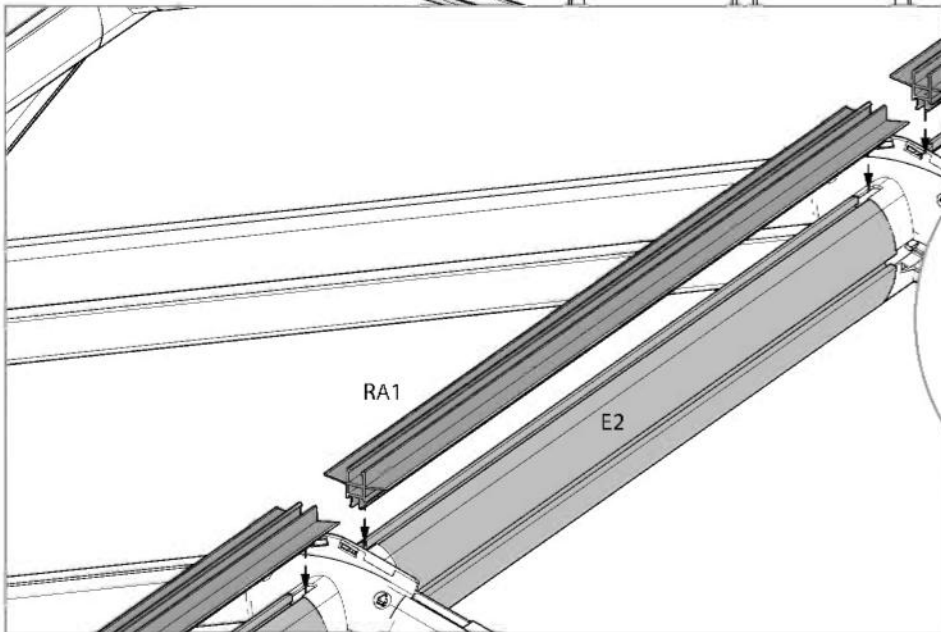
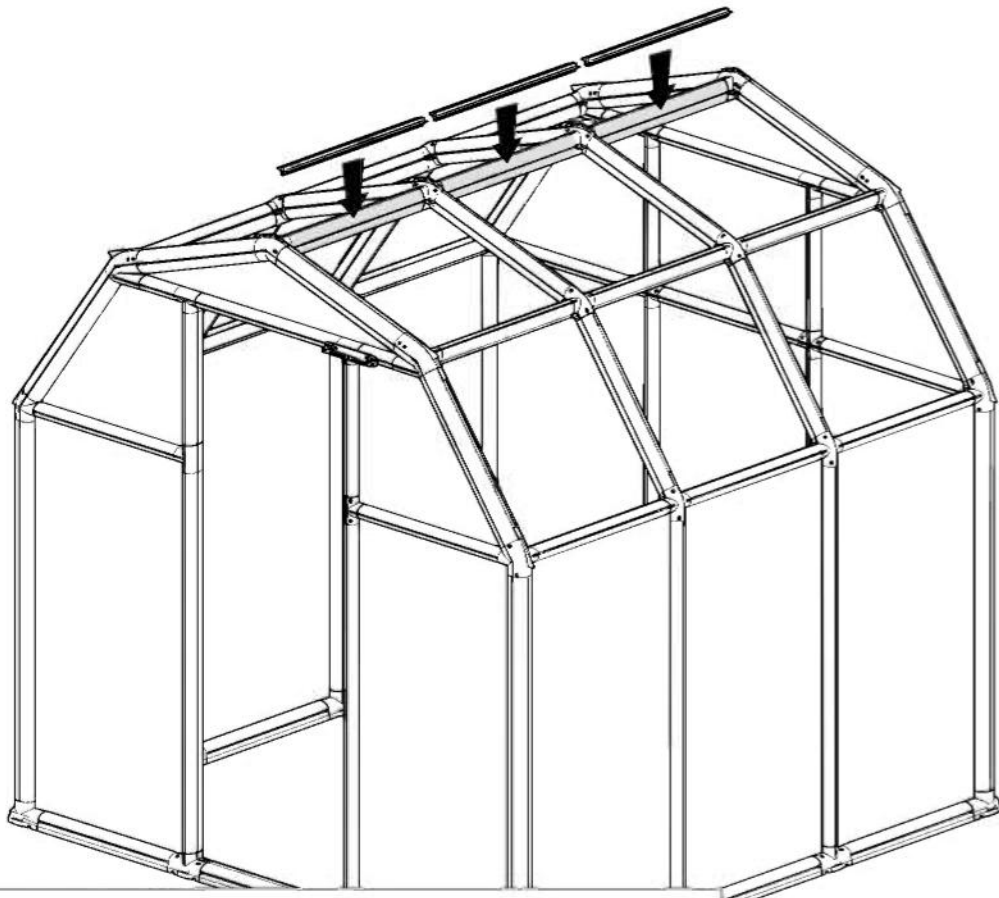


Item		Qty.
E2		3
pin1		12

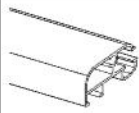


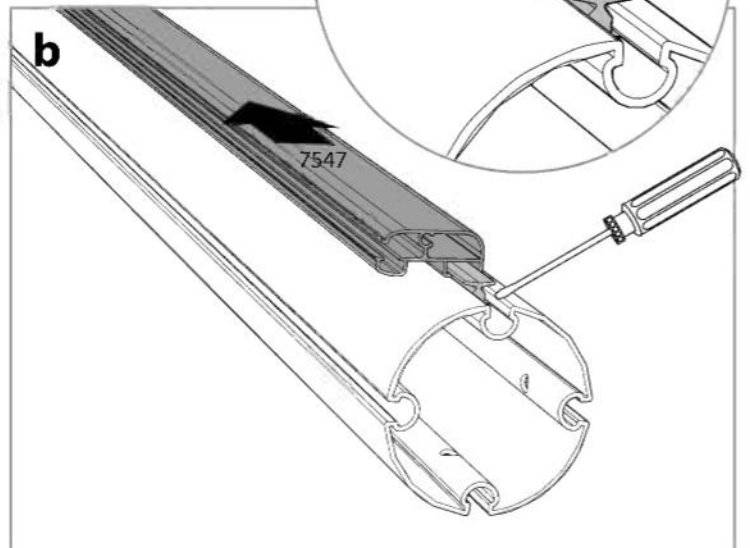
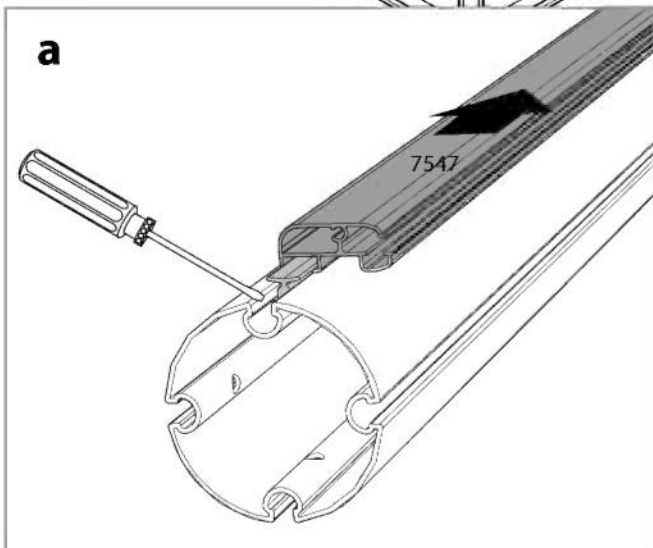
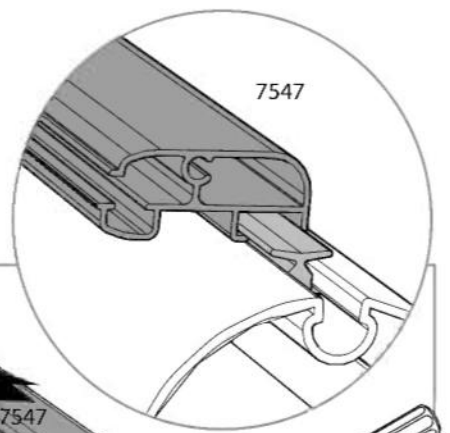
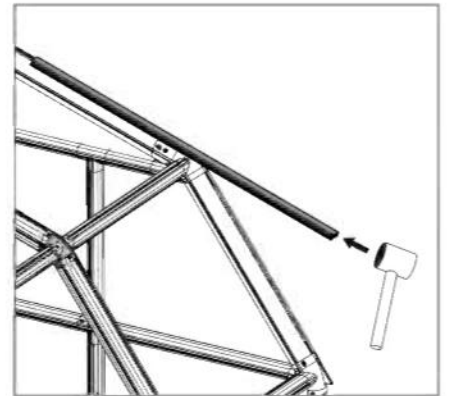
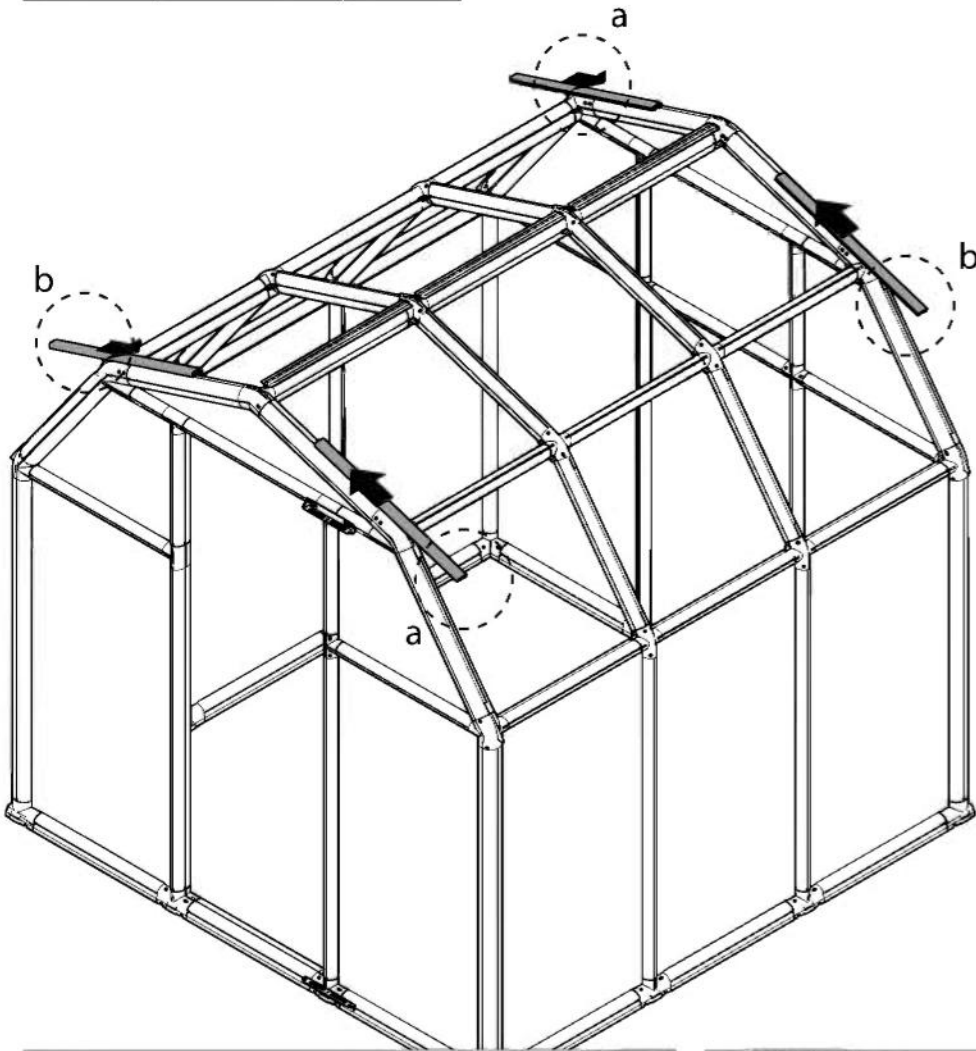
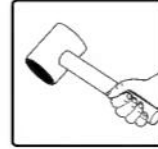


Item		Qty.
RA1		3




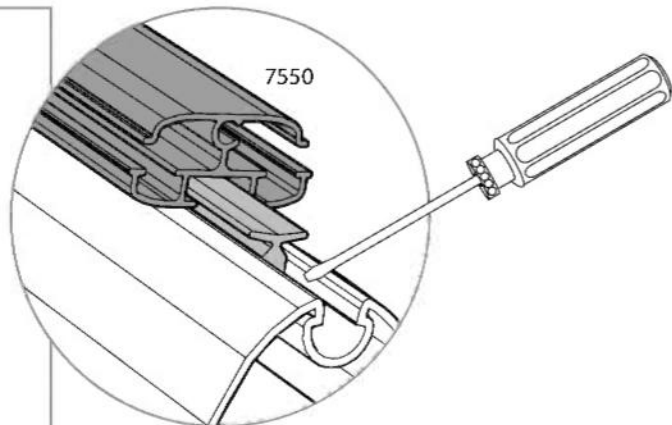
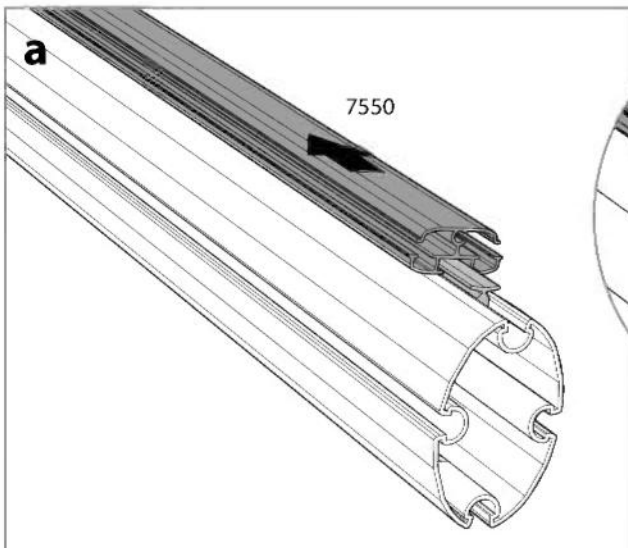
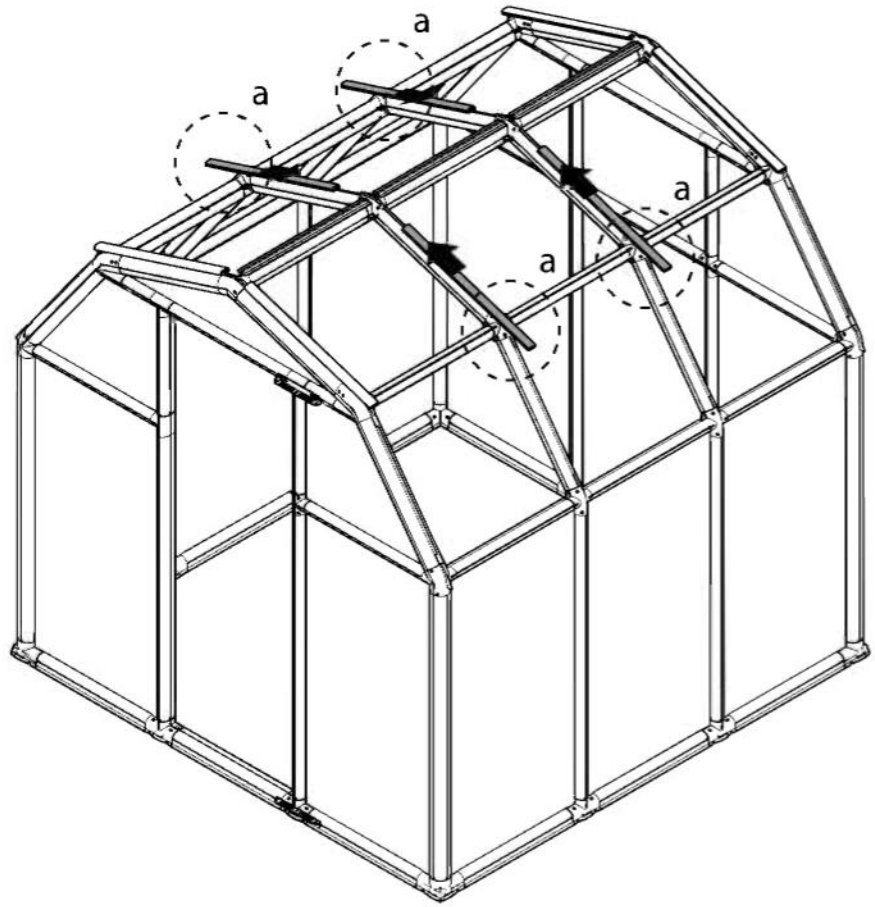
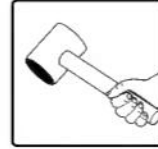


Item		Qty.
7547		4





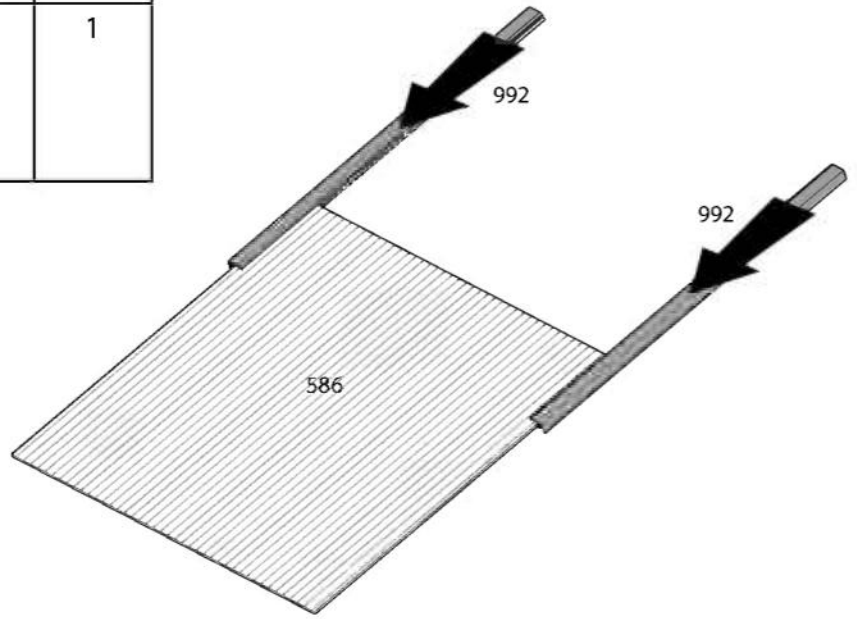
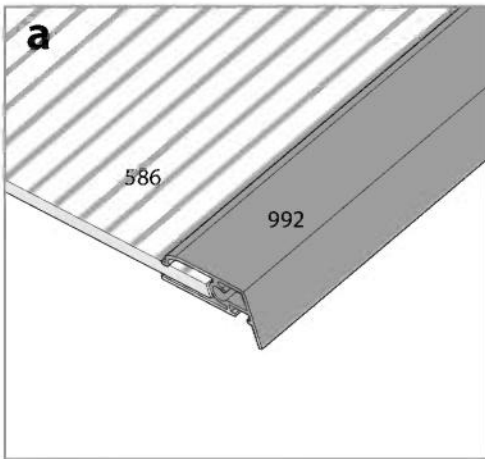



Item		Qty.
7550		4

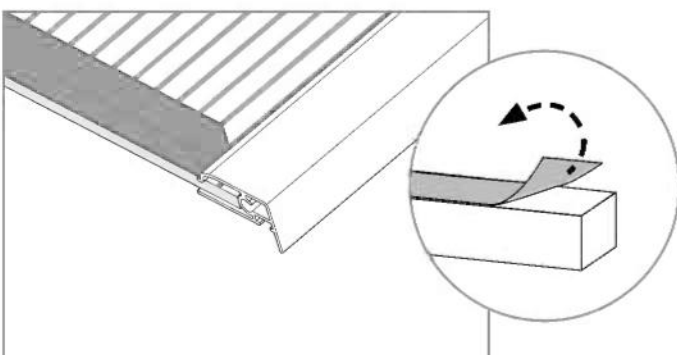
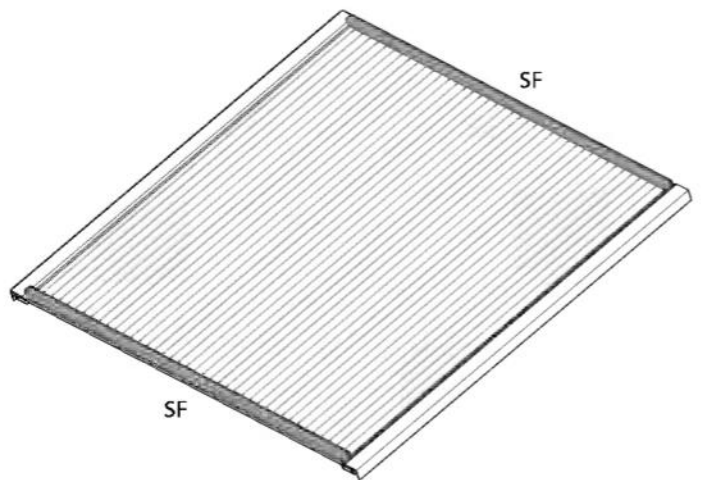
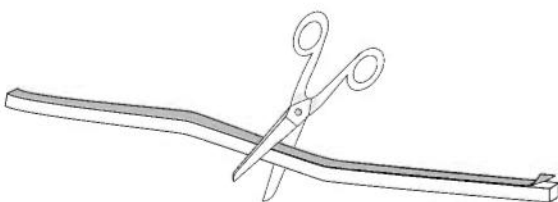




Item		Qty.
992		2
586		1



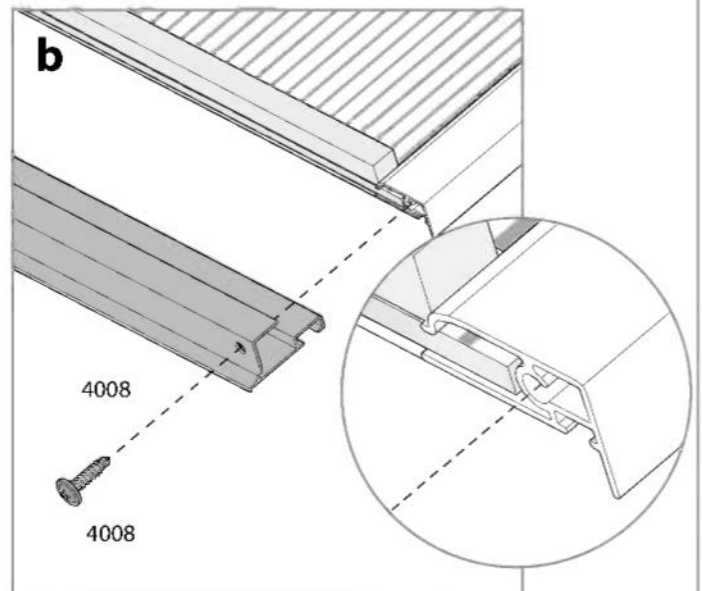
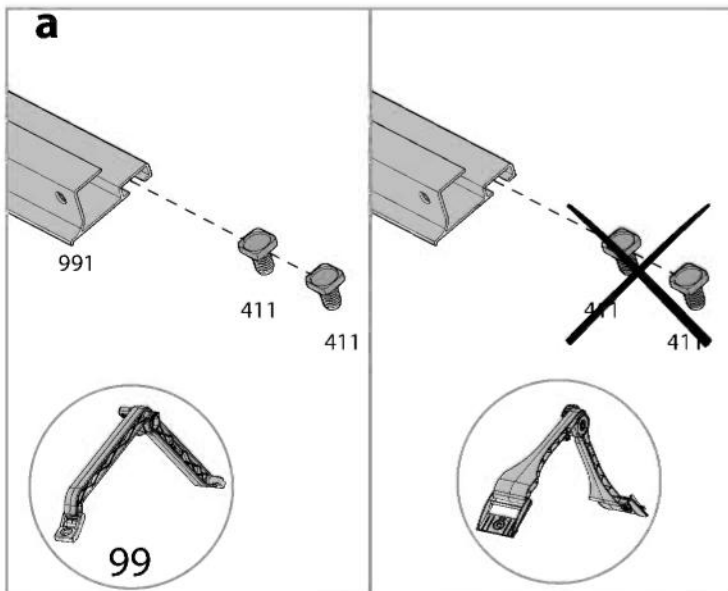
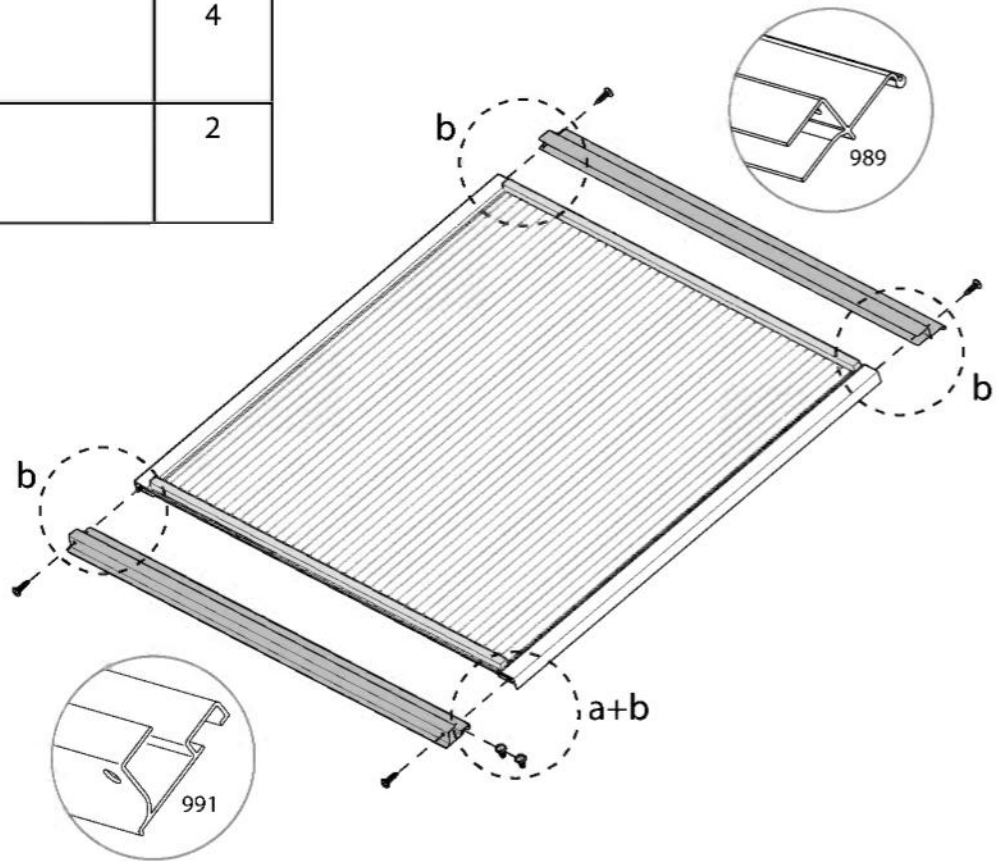
Item		Qty.
SF		1





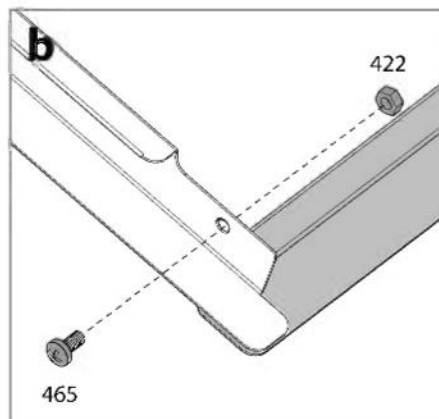
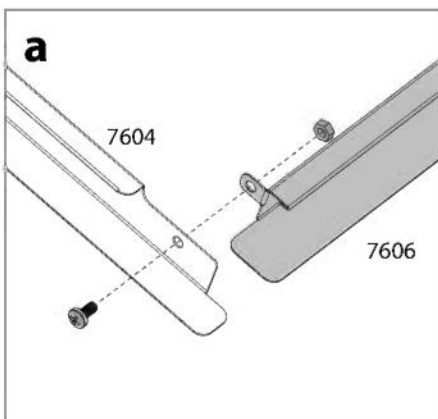
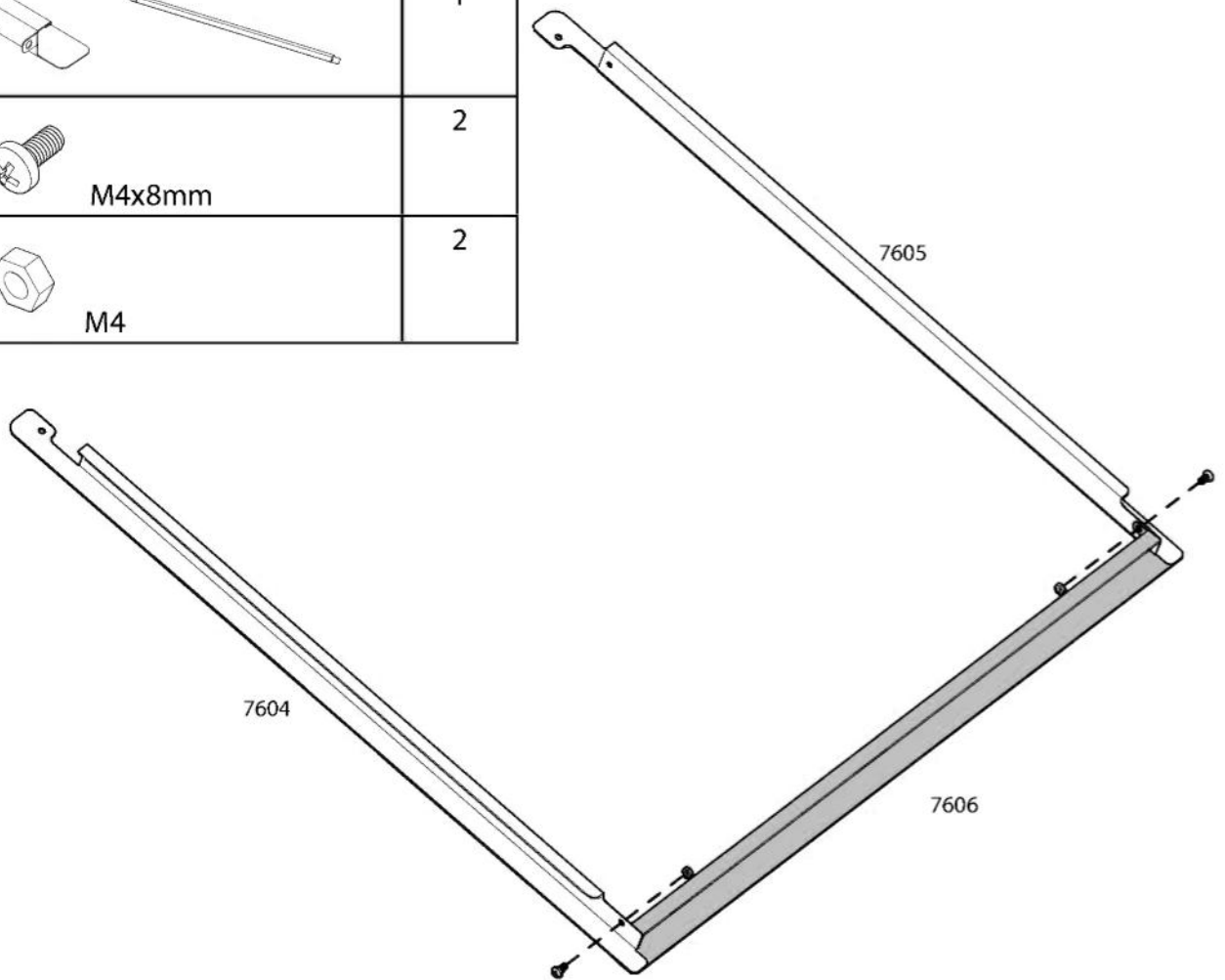
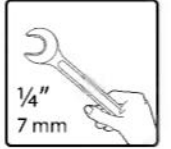
31 **i** Screw #411 is to be used for handle 99 only.

Item		Qty.
989		1
991		1
4008		4
411		2






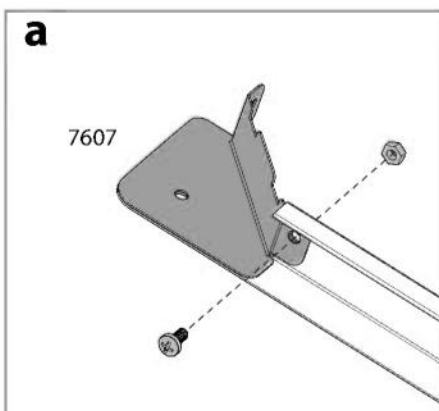
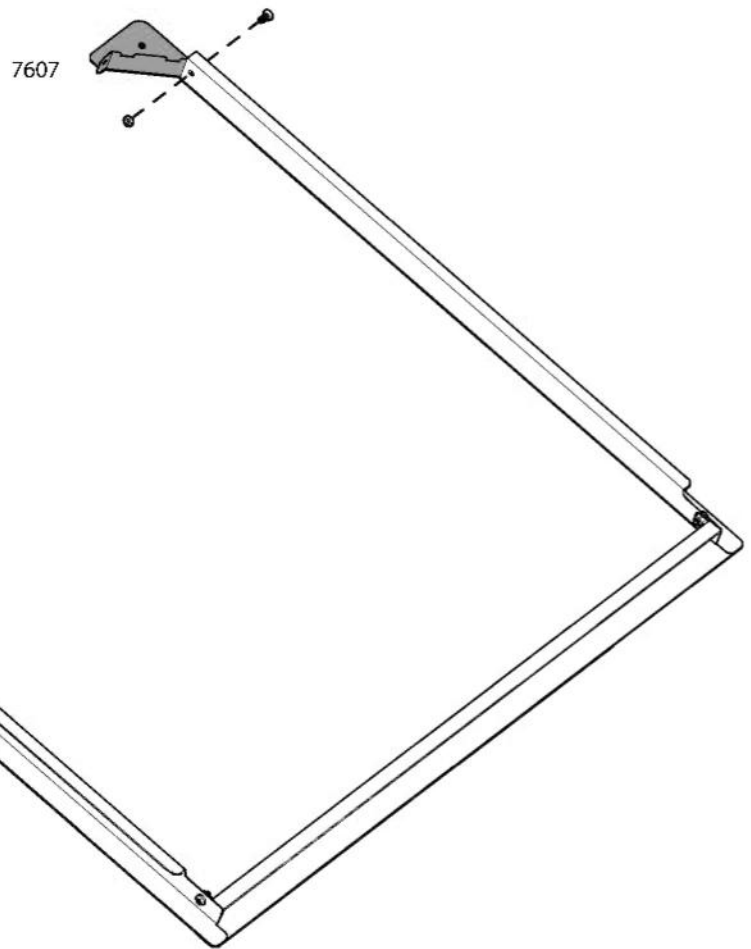


Item		Qty.
7604		1
7605		1
7606		1
465	 M4x8mm	2
422	 M4	2

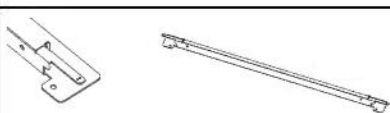




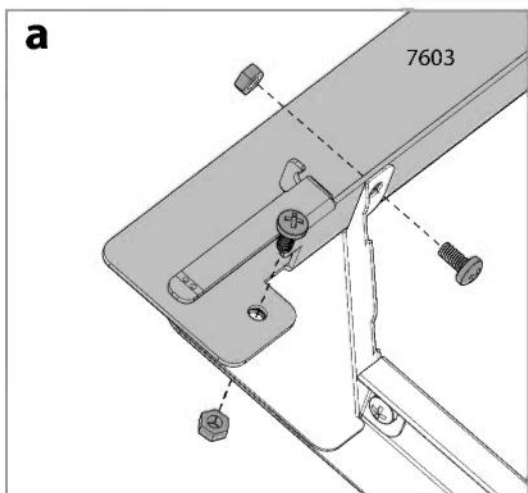
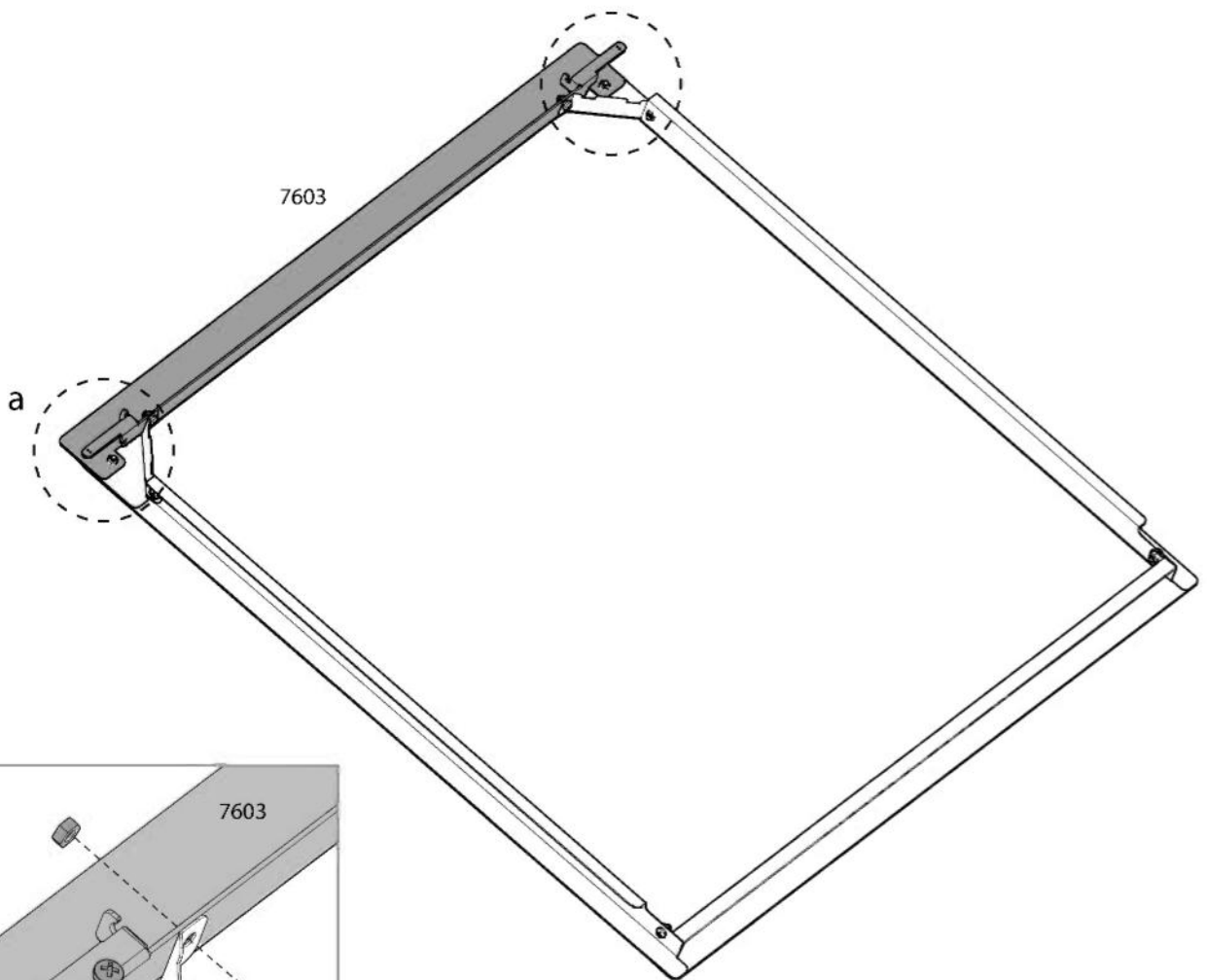


Item		Qty.
7607		2
465		2
422		2




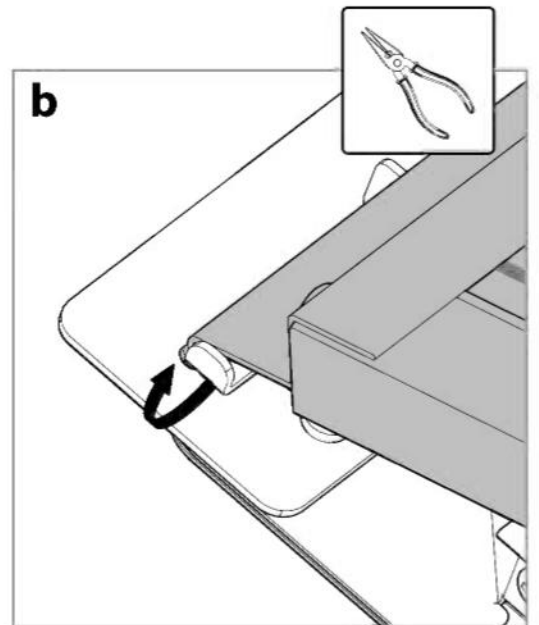
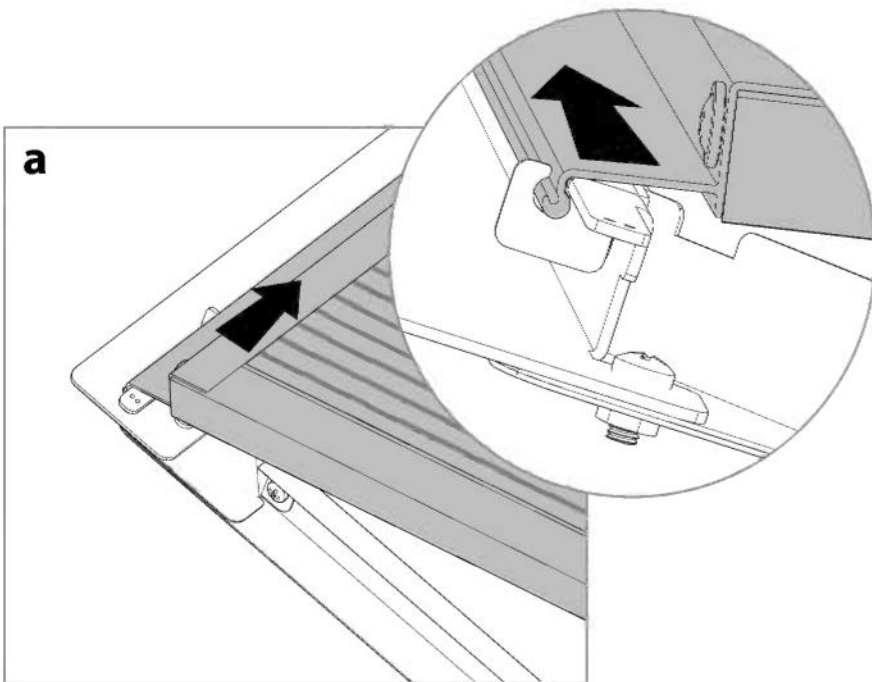
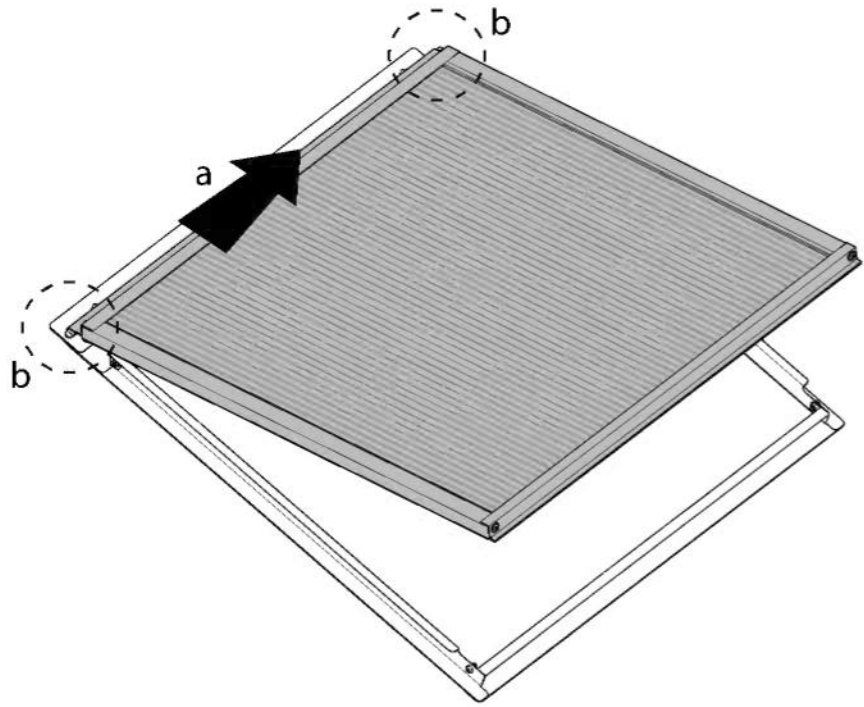


Item		Qty.
7603		1
465		4
422		4



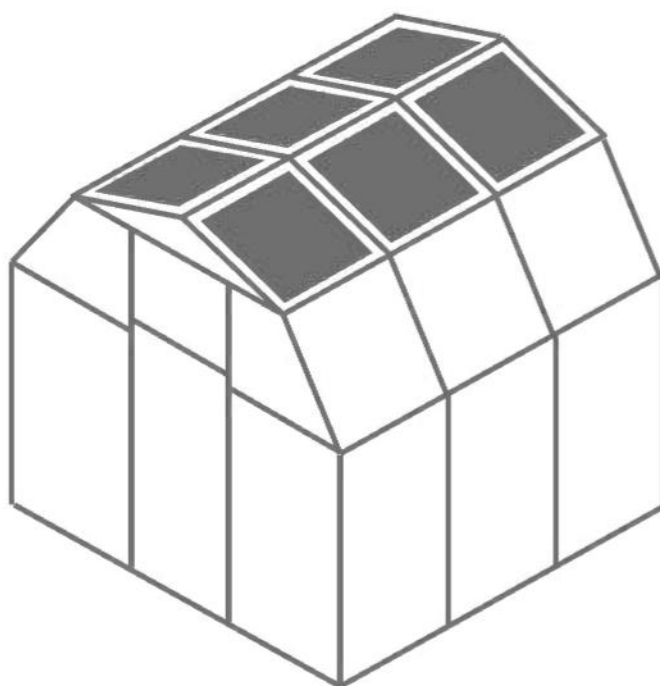
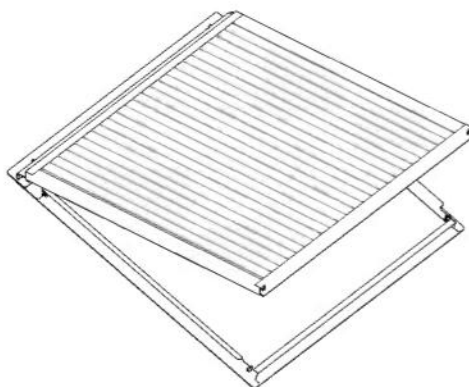


Item		Qty.
win		1




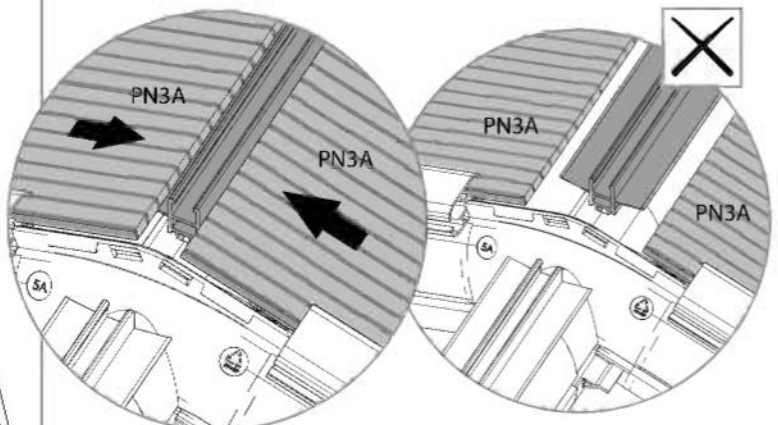
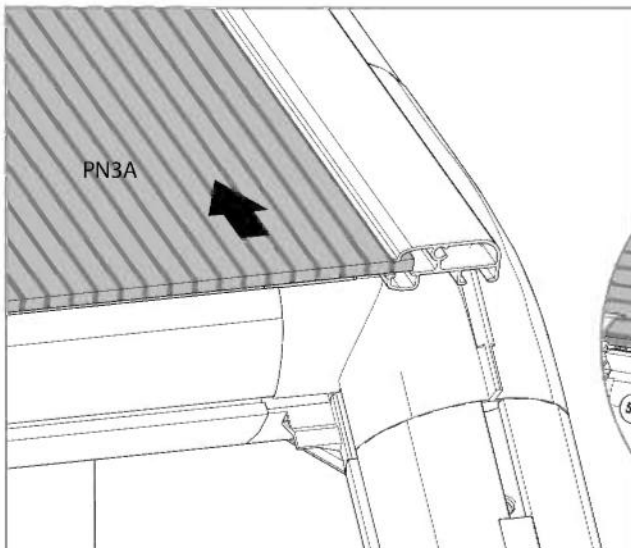
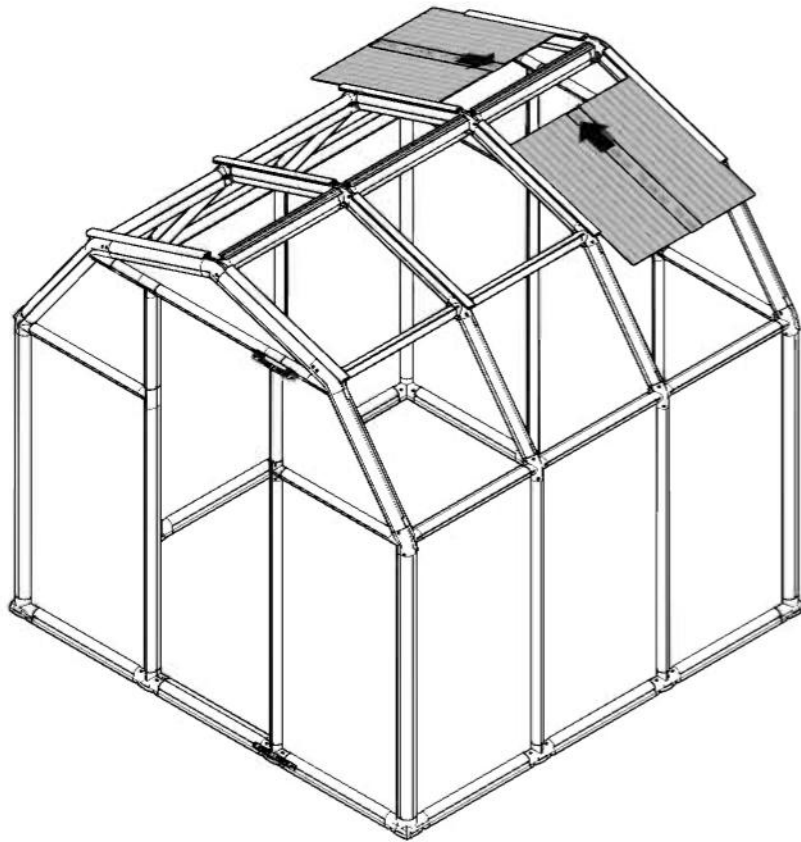
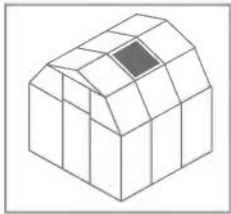


- EN** Window Location
- DE** Fenster Standort
- FR** Fenêtre Emplacement
- ES** Ventana Ubicación

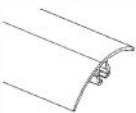



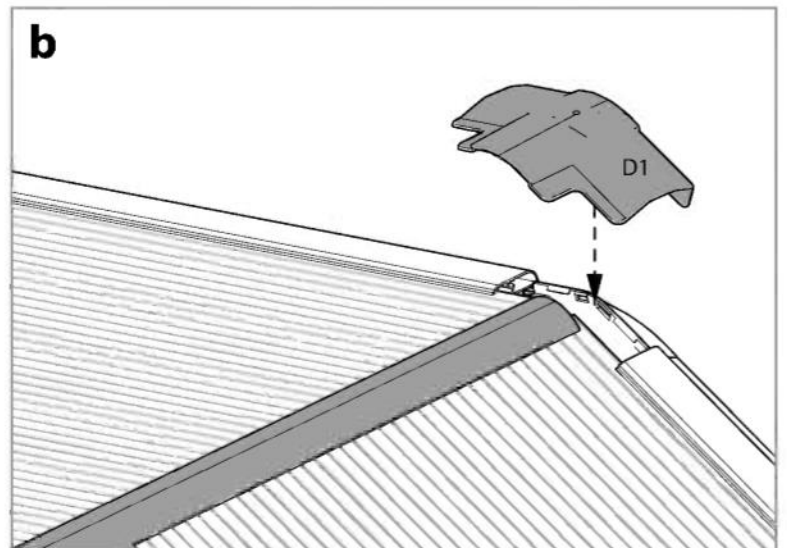
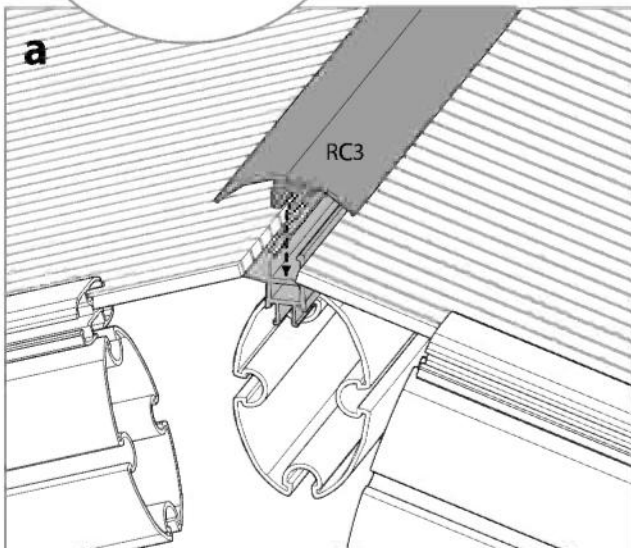
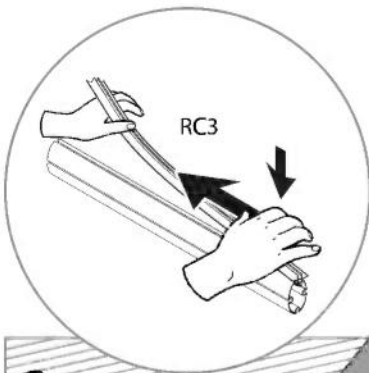
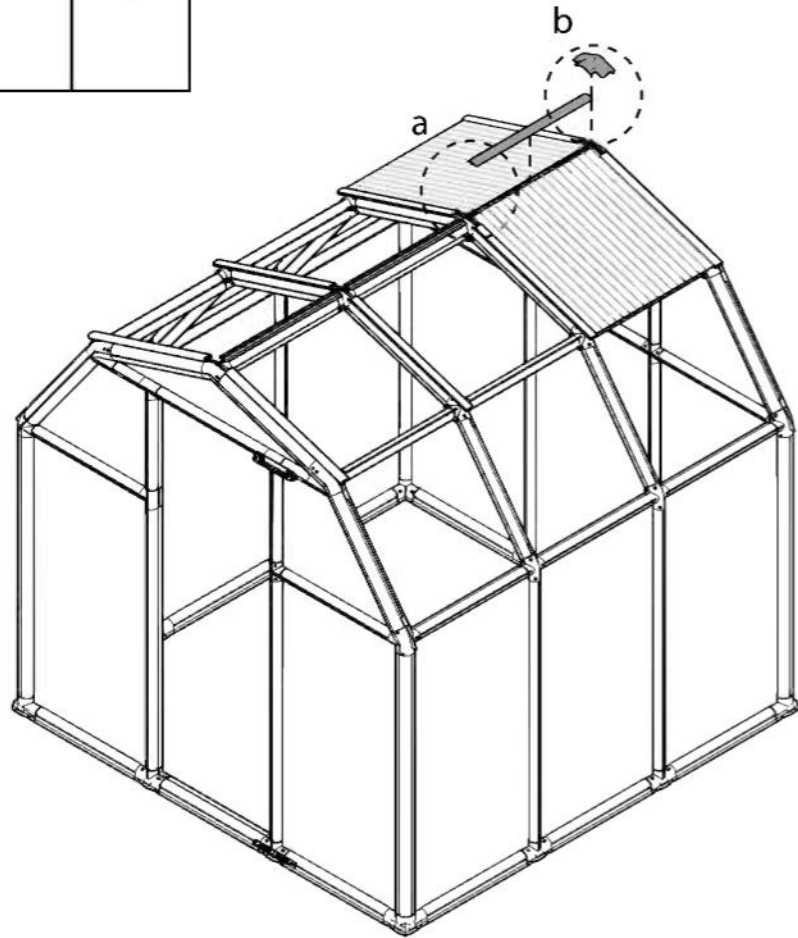
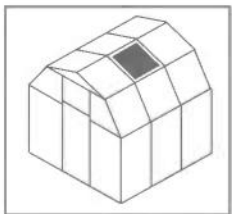


Item		Qty.
PN3A		2




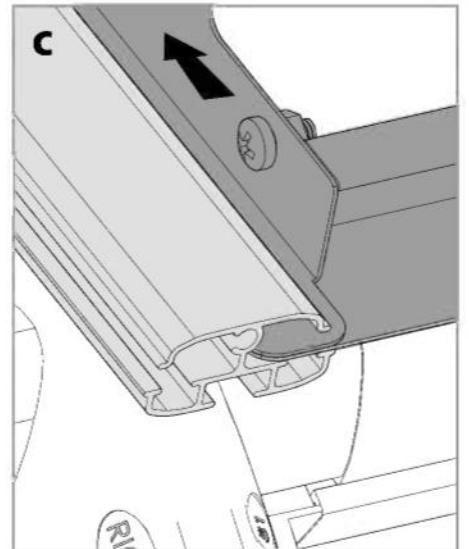
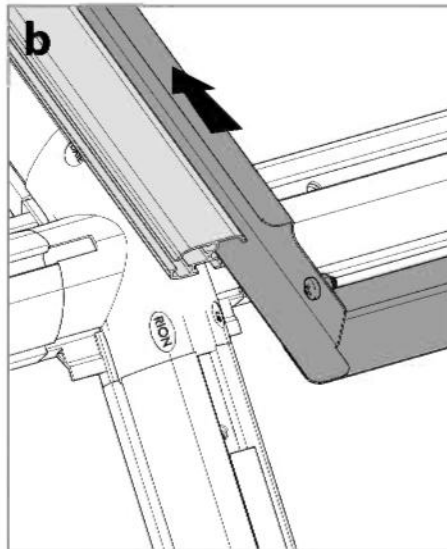
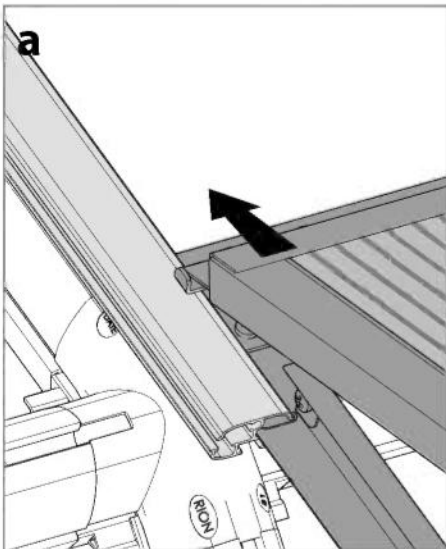
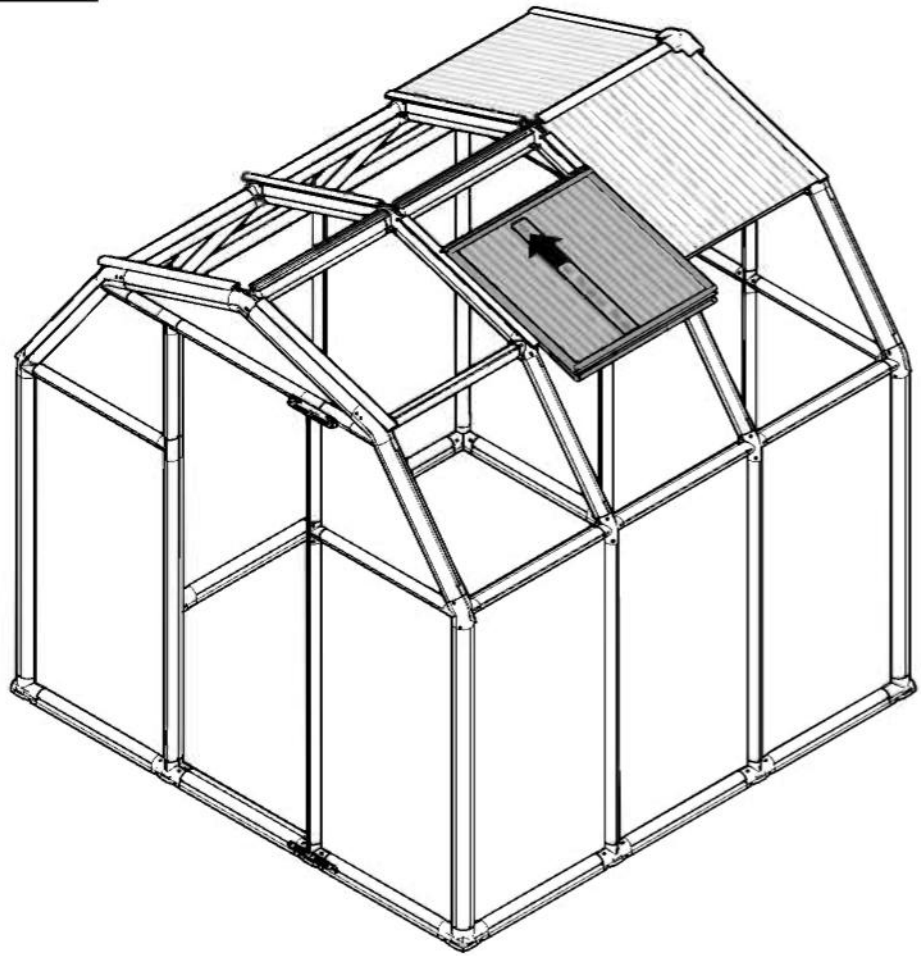
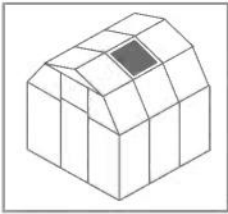


Item		Qty.
RC3		1
D1		1




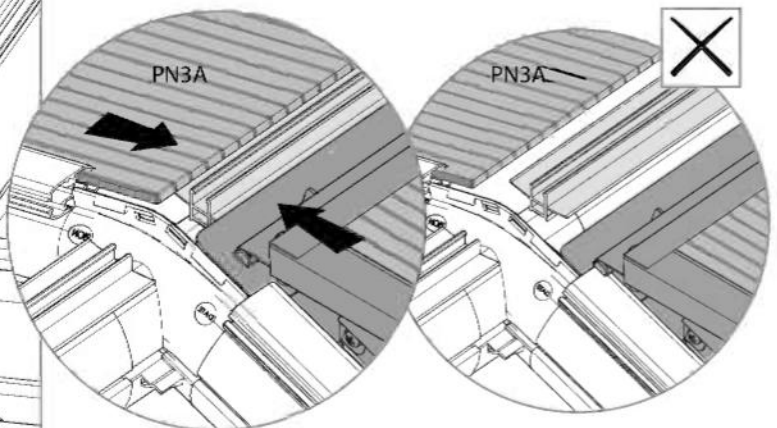
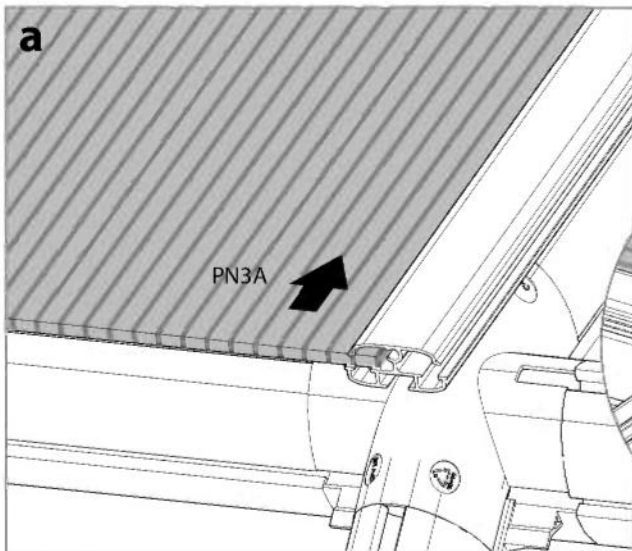
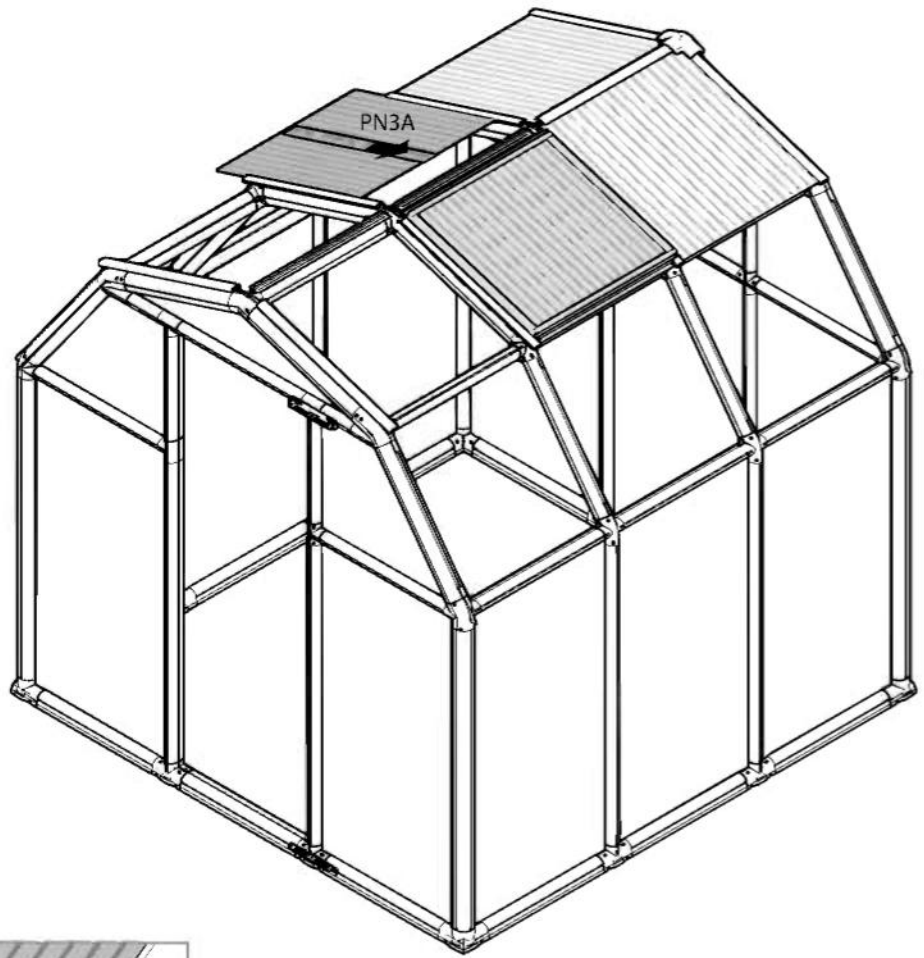
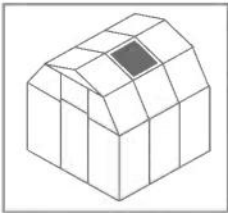


Item		Qty.
Window		1


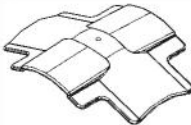


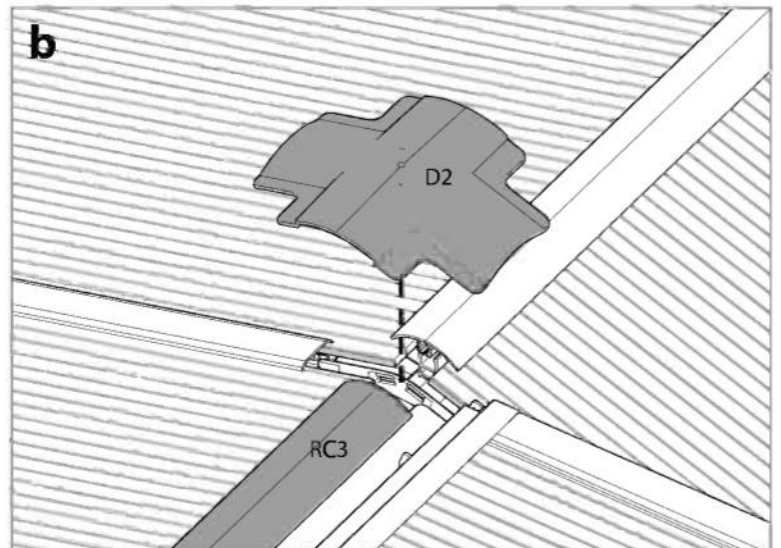
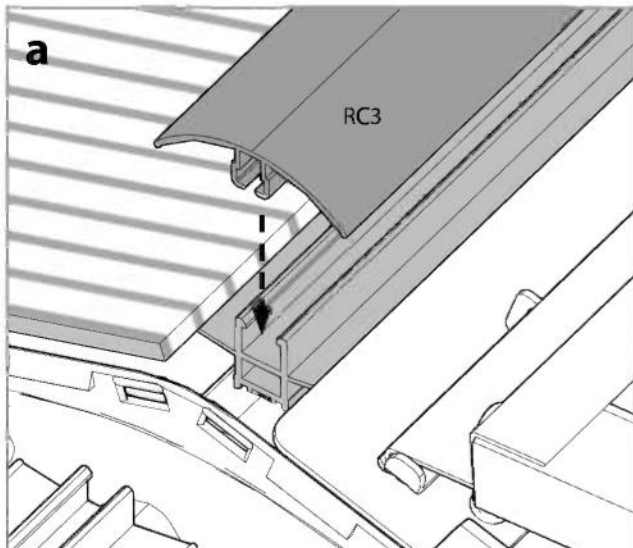
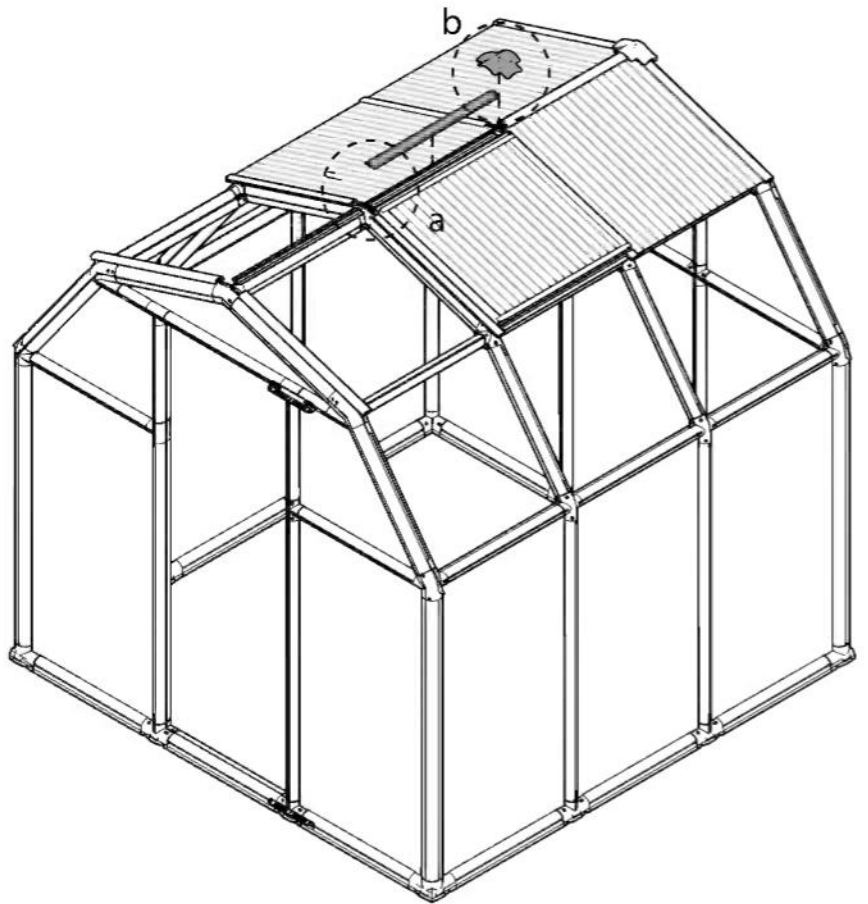
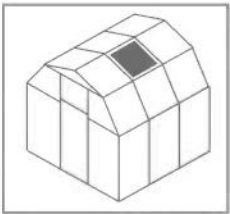


Item		Qty.
PN3A		1



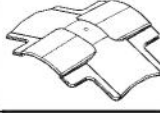



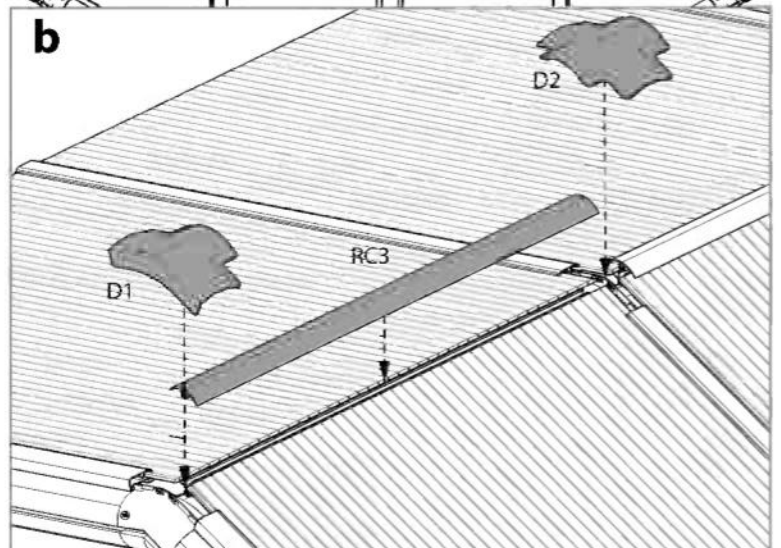
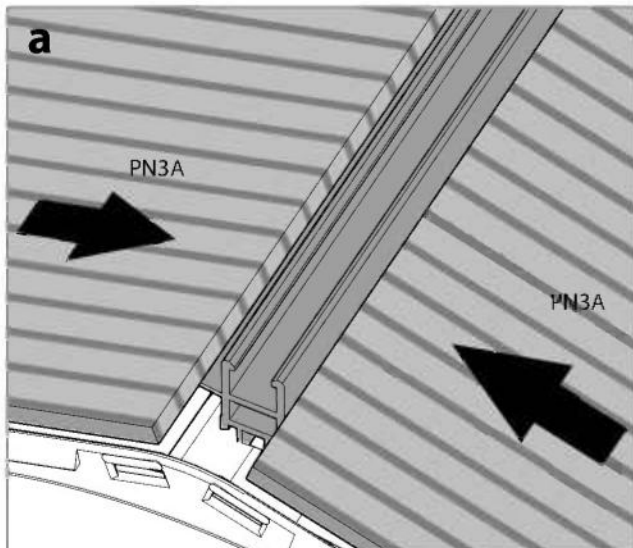
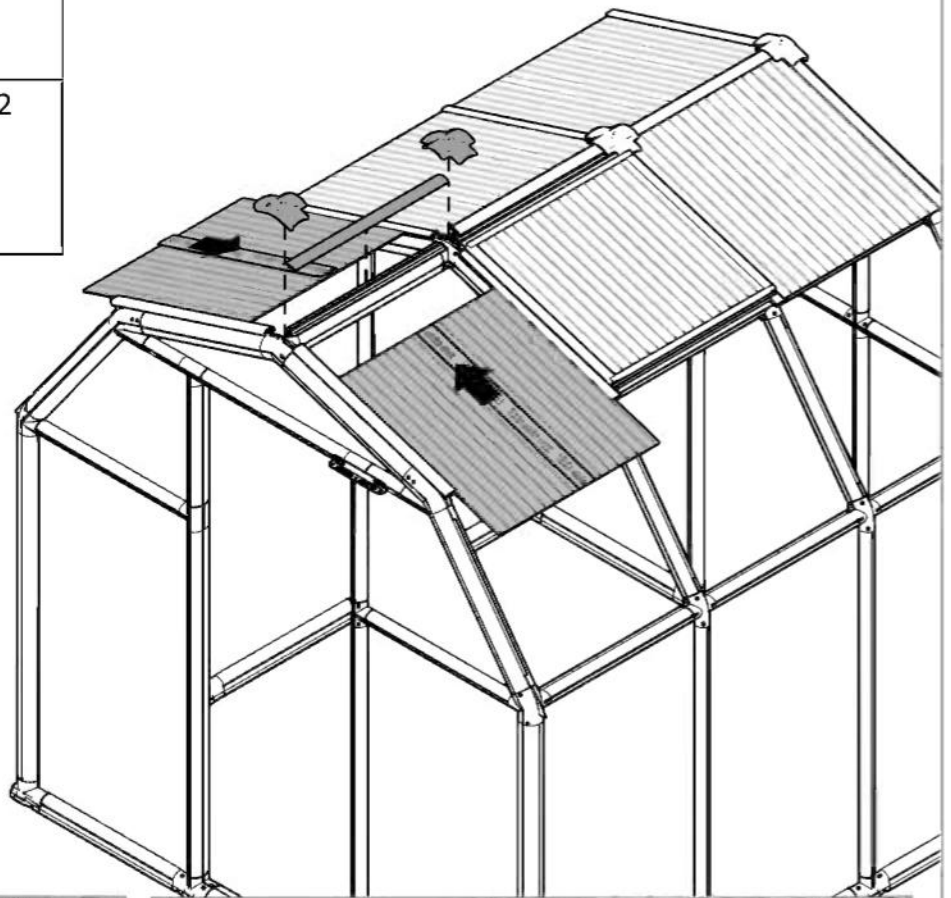
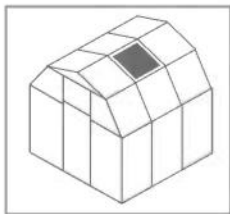


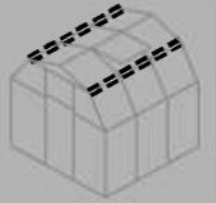
Item		Qty.
RC3		1
D2		1




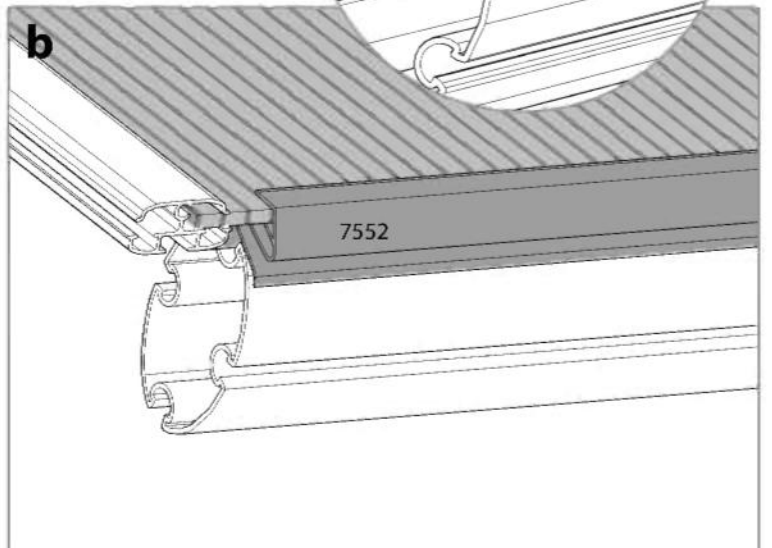
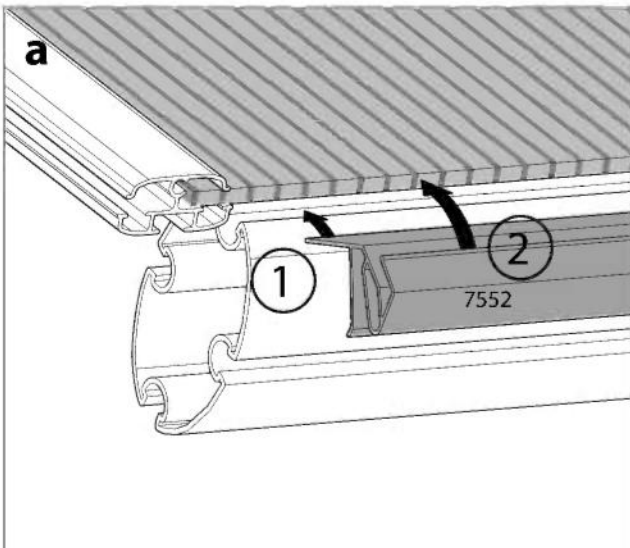
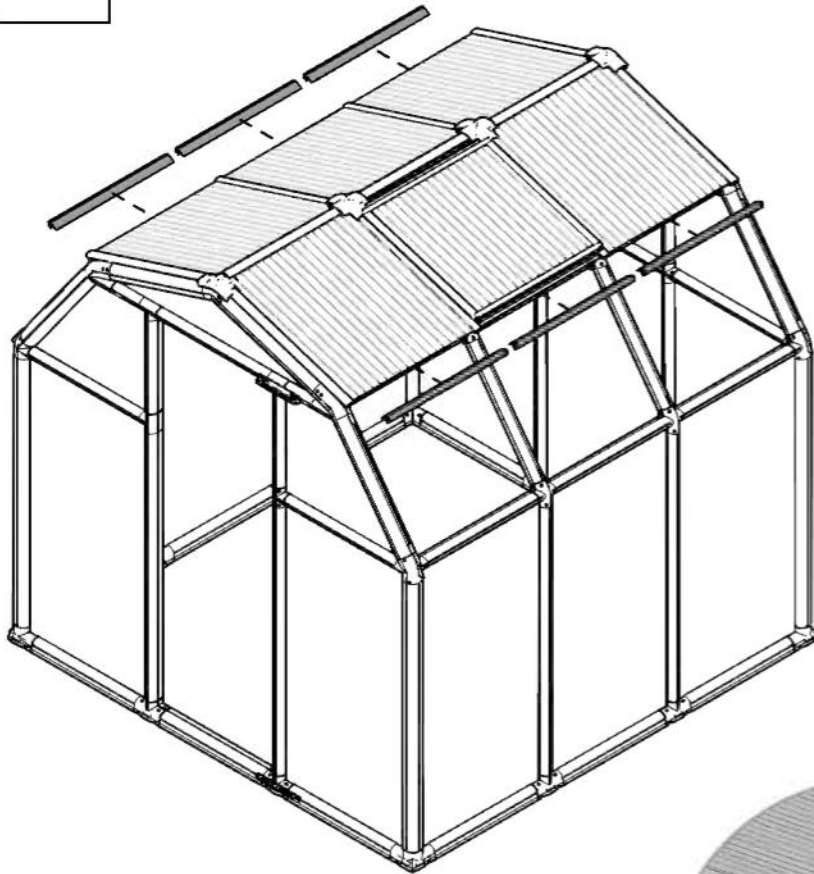


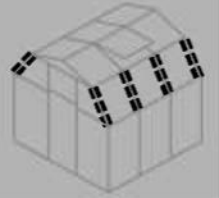
Item		Qty.
RC3		1
D1		1
D2		1
PN3A		2





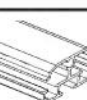



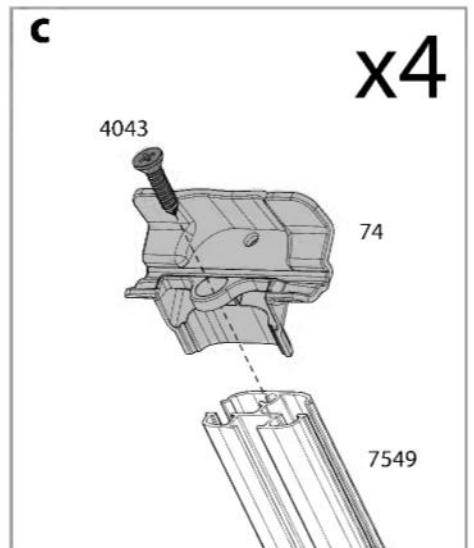
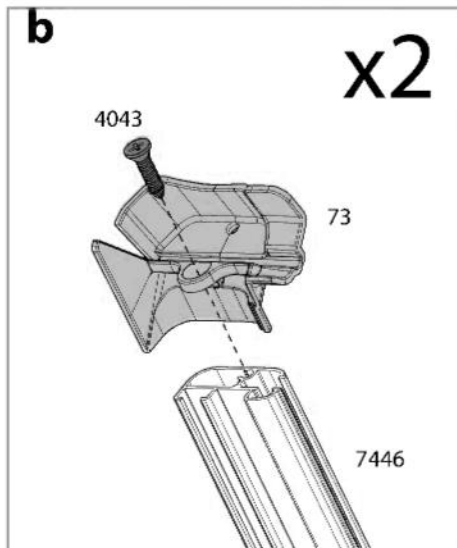
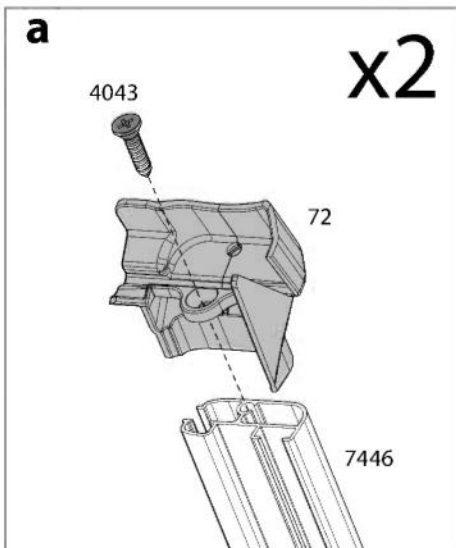
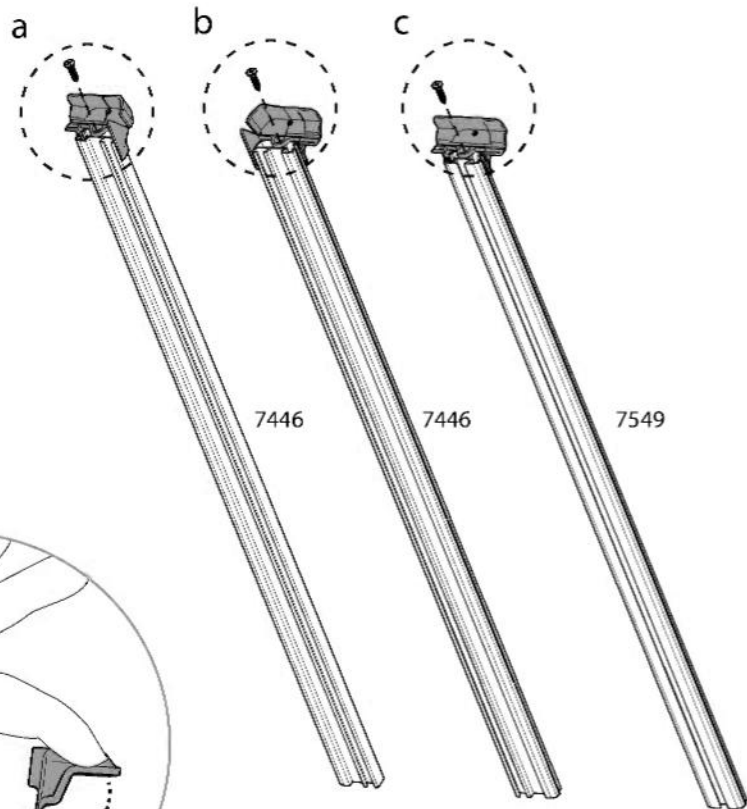
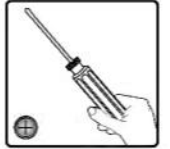


Item		Qty.
7552		6




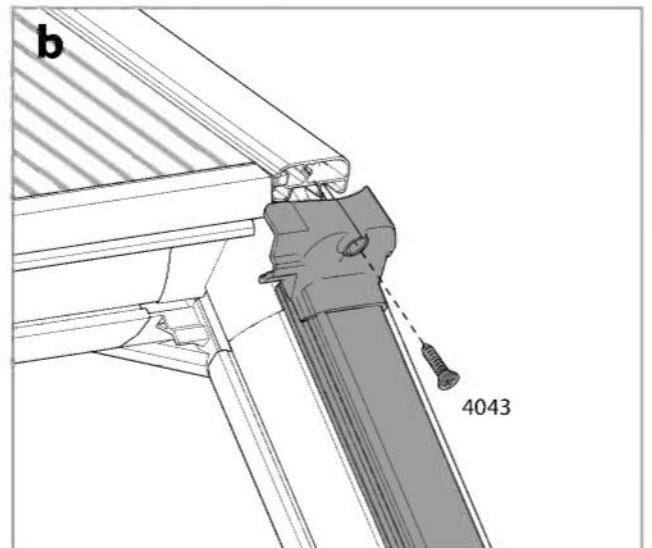
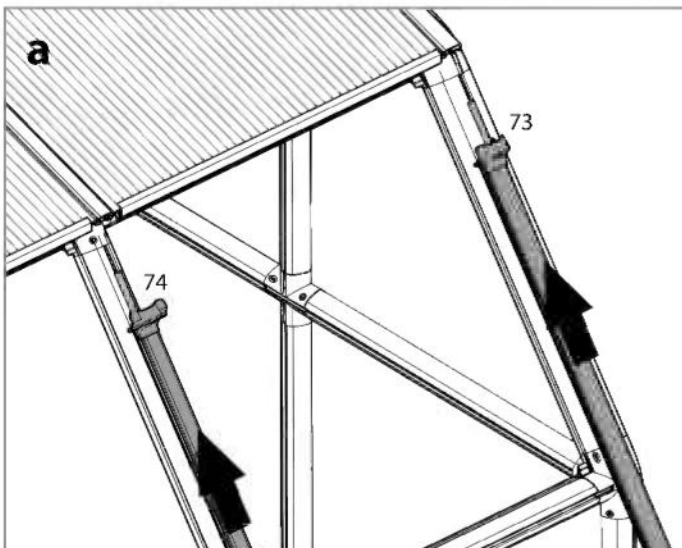
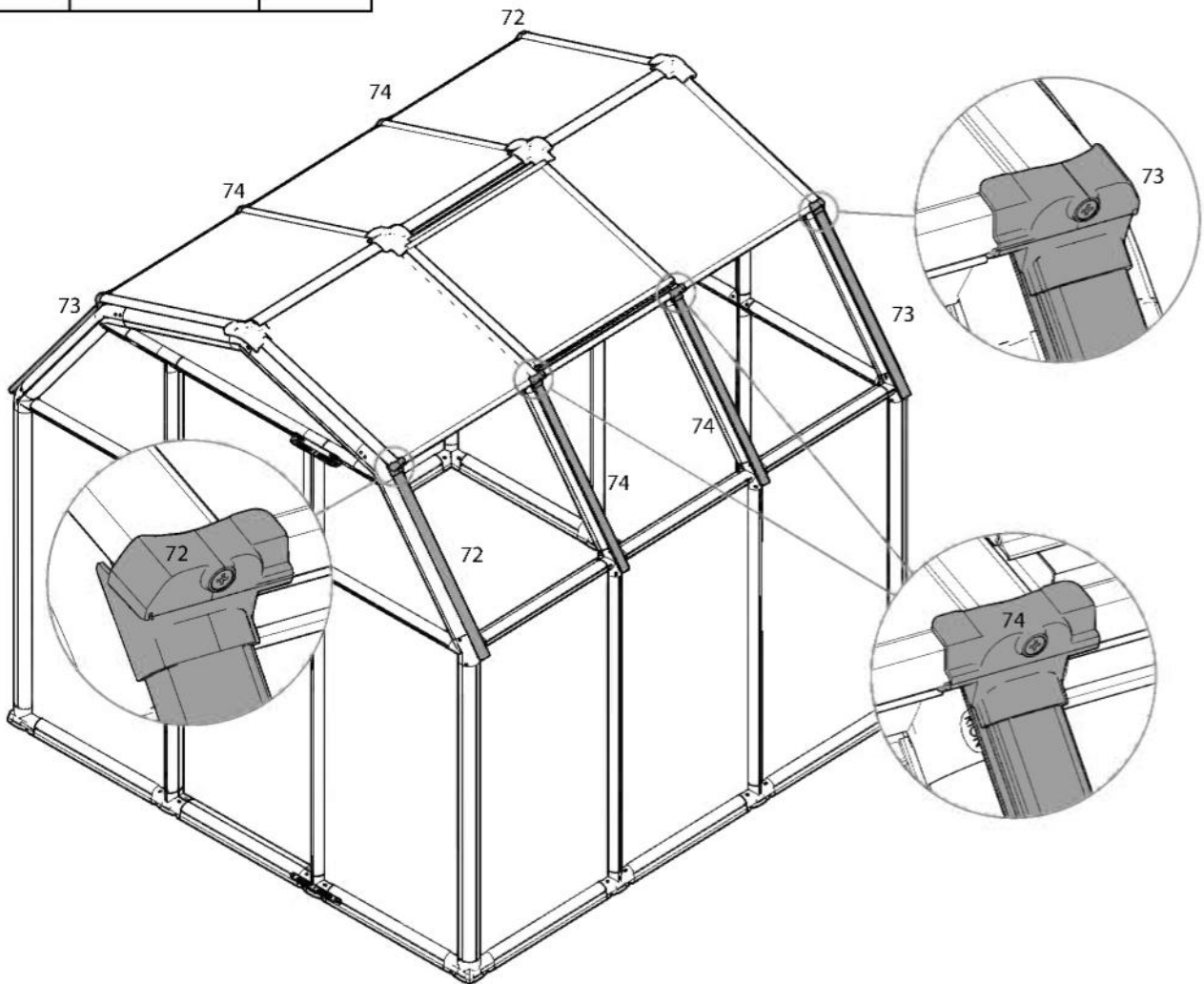
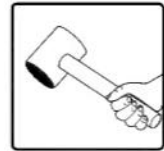


Item		Qty.
72		2
73		2
74		4
7446		4
7549		4
4043		8

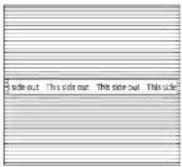





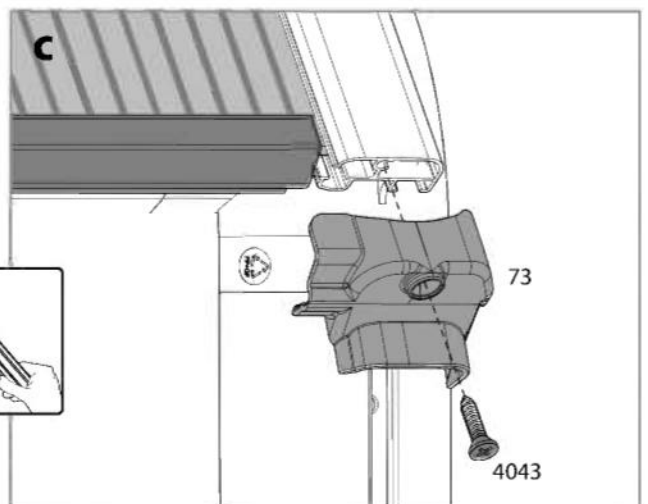
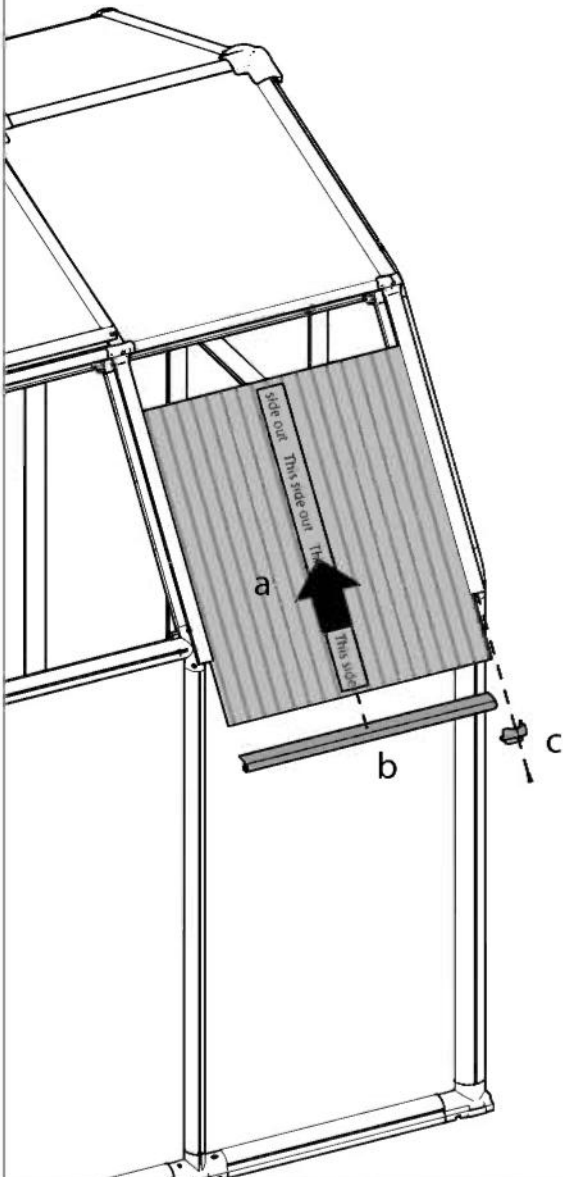
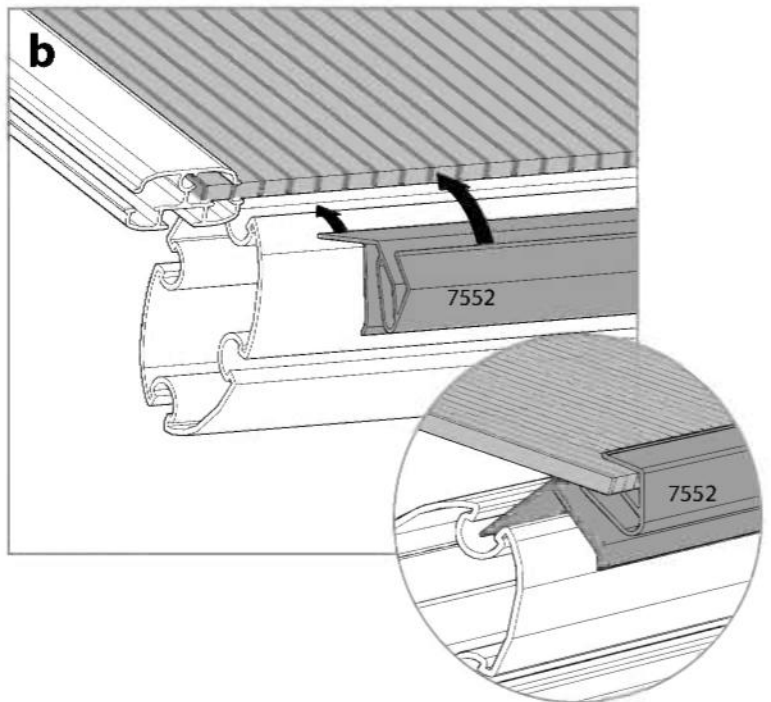
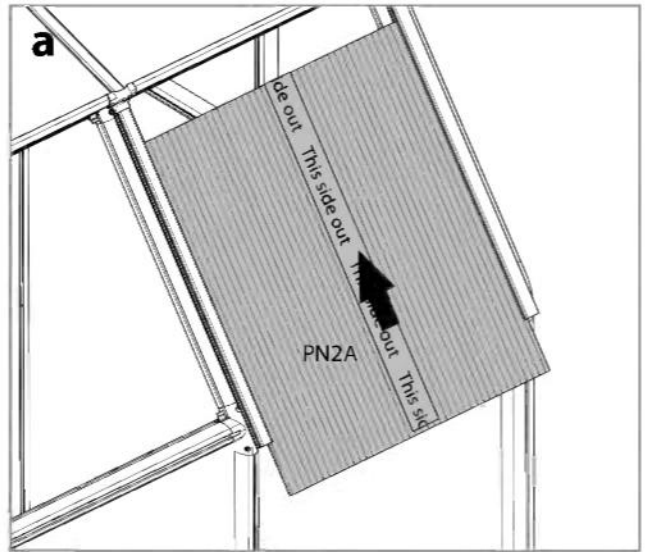


Item		Qty.
4043		8











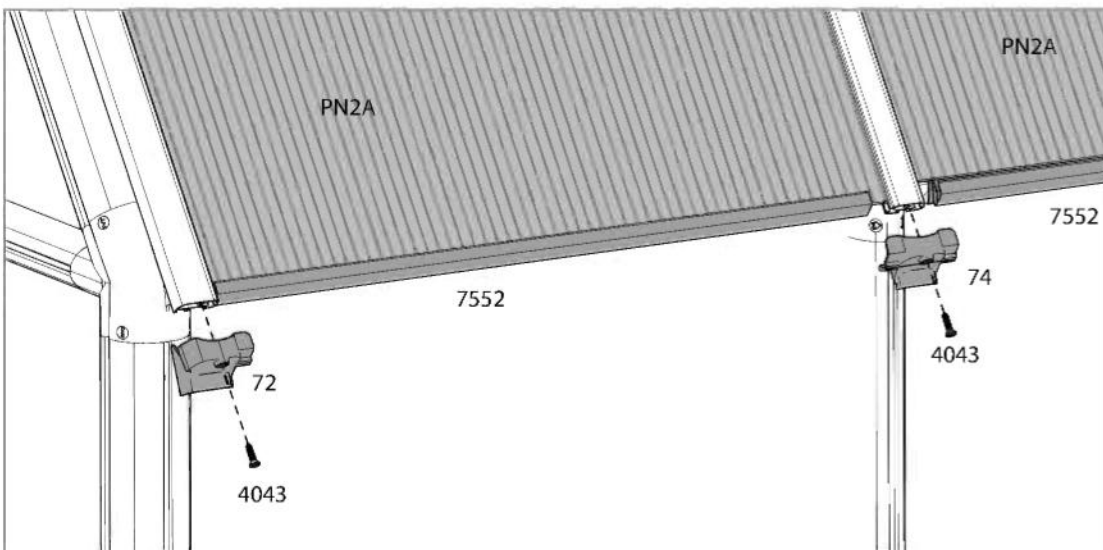
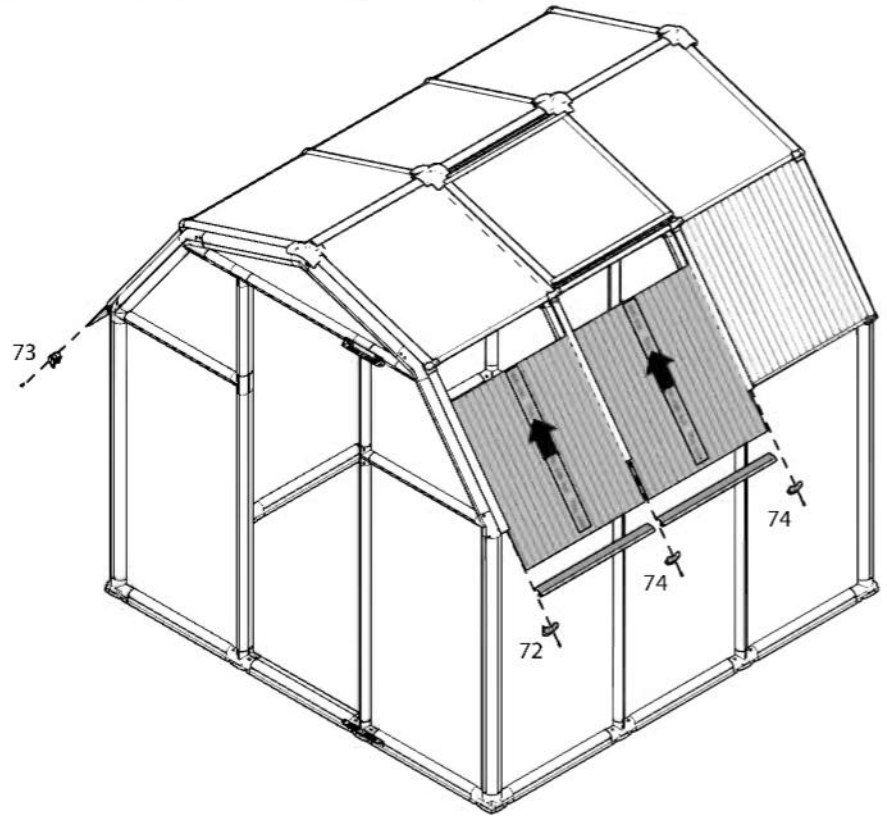
Item		Qty.
PN2A		1
7552		1
4043		1
73		1





Item		Qty.
PN2A		5
7552		5
4043		7

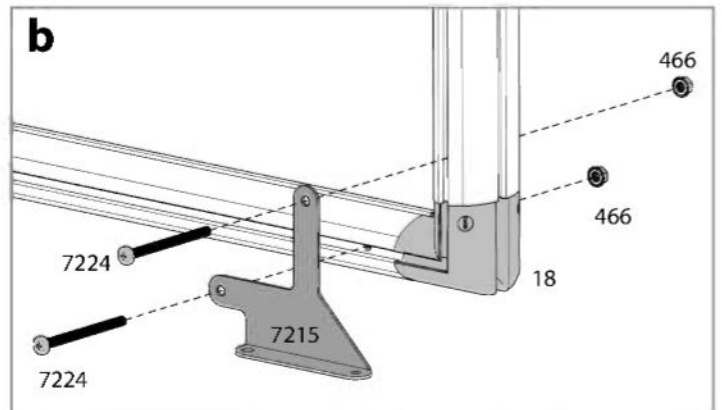
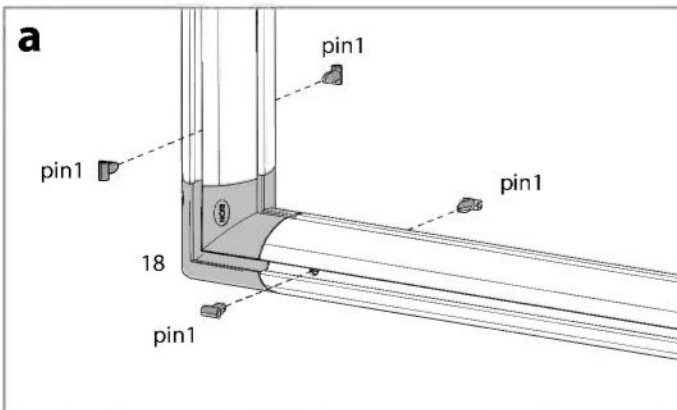
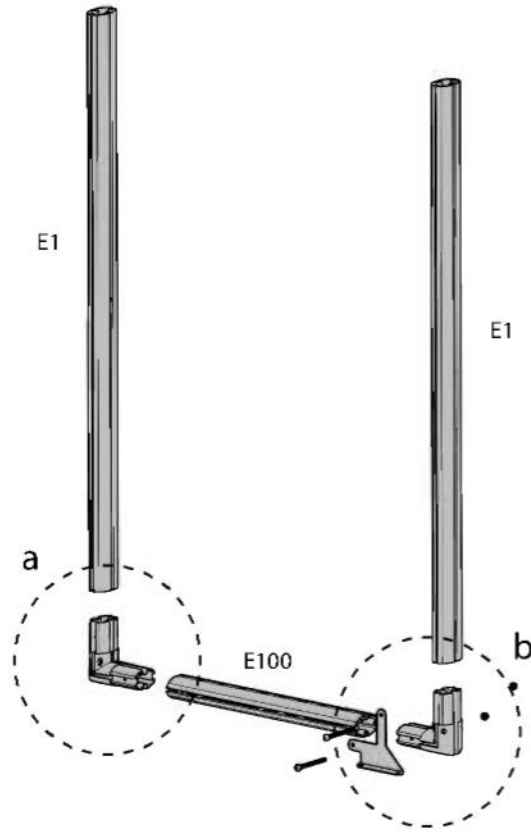
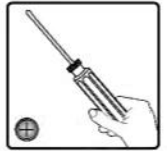
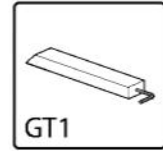
Item		Qty.
72		2
73		1
74		4





Item		Qty.
E1		2
E100		1
18		2
466		2
7224		2

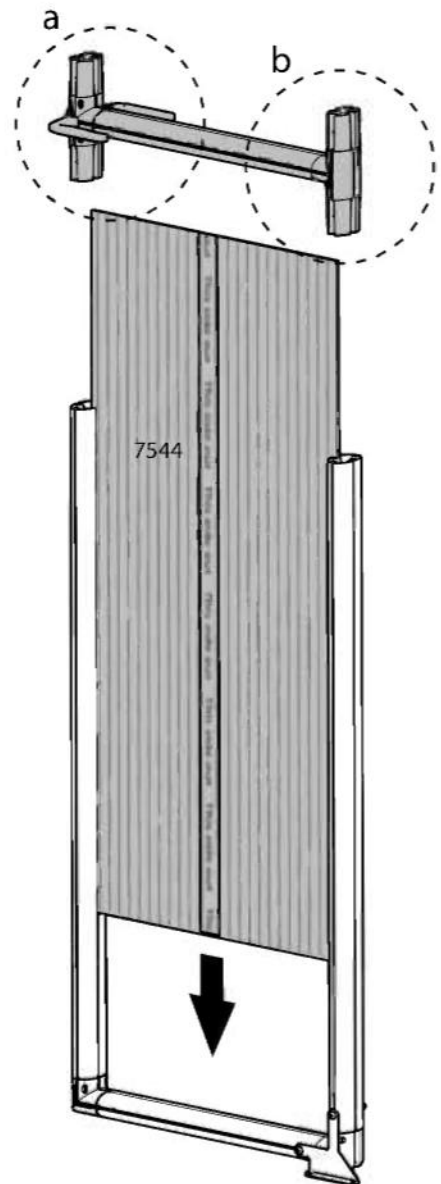
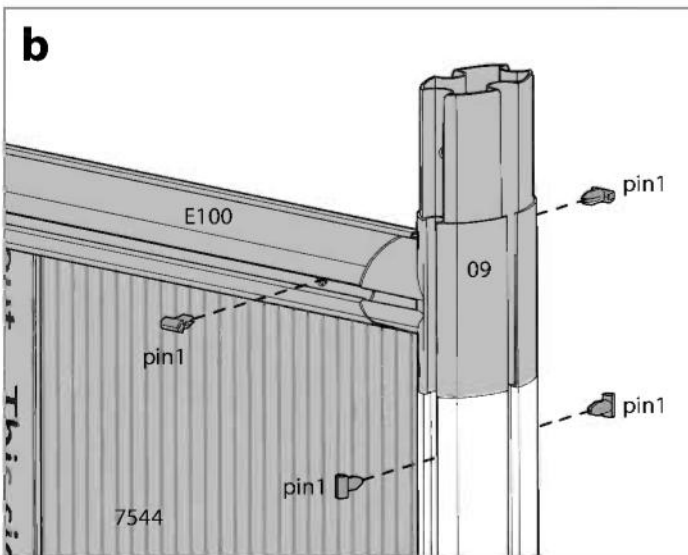
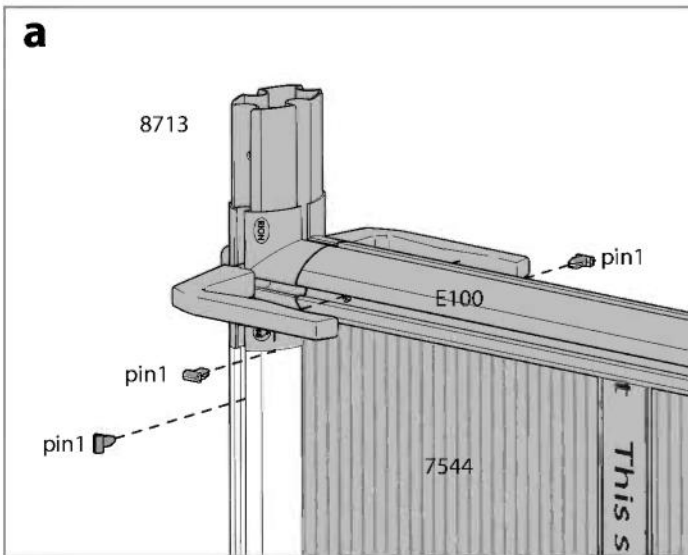
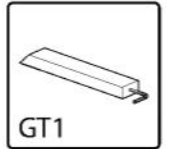
Item		Qty.
7215		1
pin1		2





Item		Qty.
7544		1
E100		1
09		1

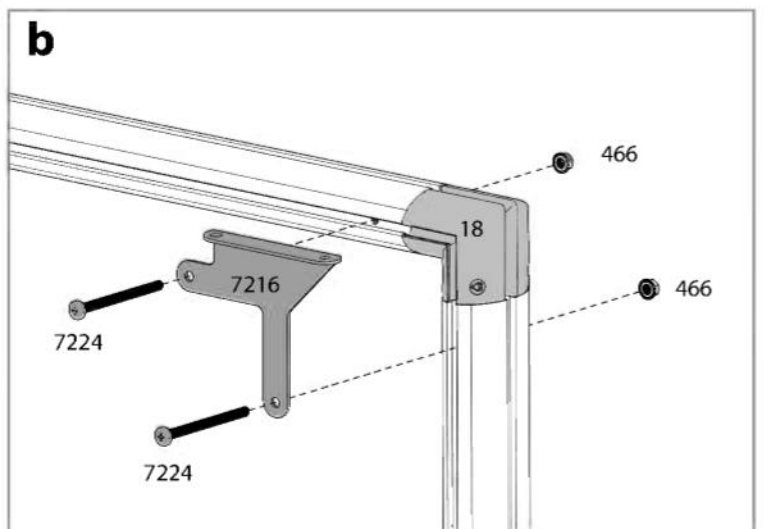
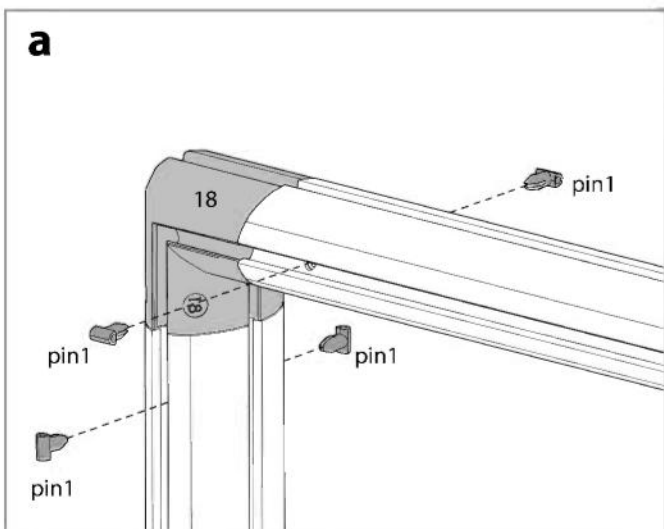
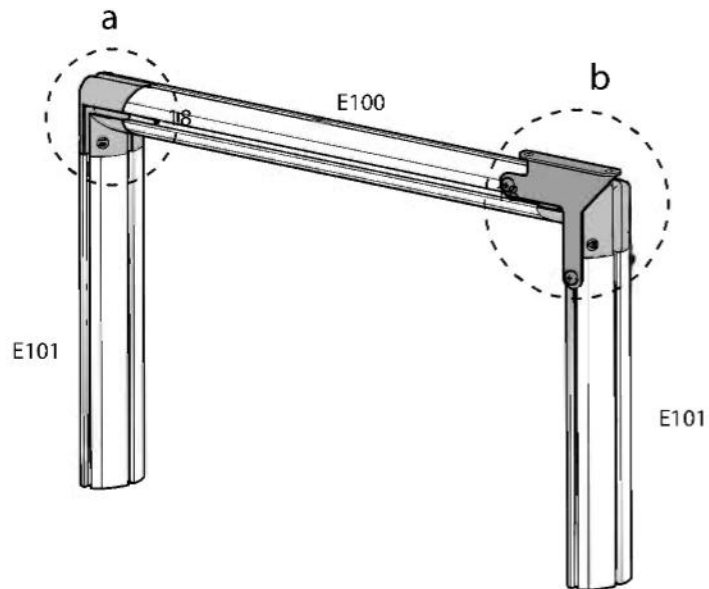
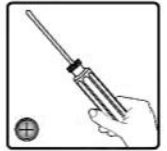
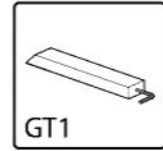
Item		Qty.
8713		1
pin1		8







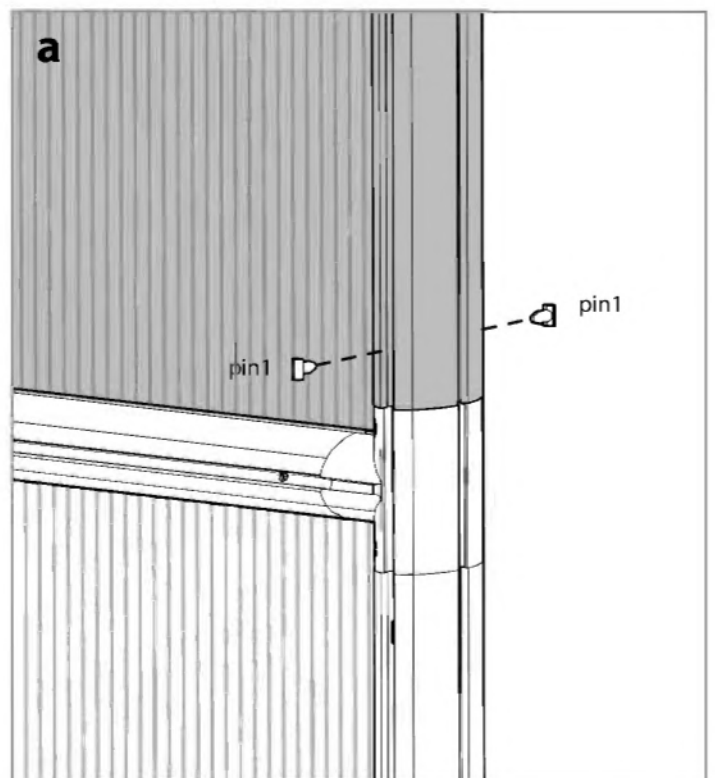
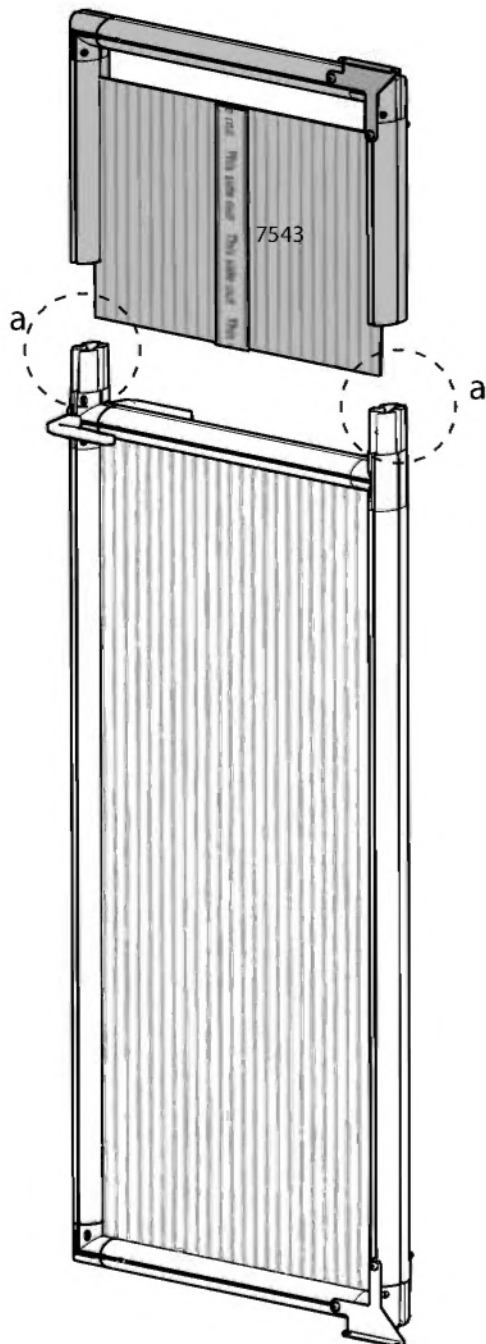
Item		Qty.
E101		2
E100		1
18		2
466		2

Item		Qty.
7224		2
7216		1
pin1		2





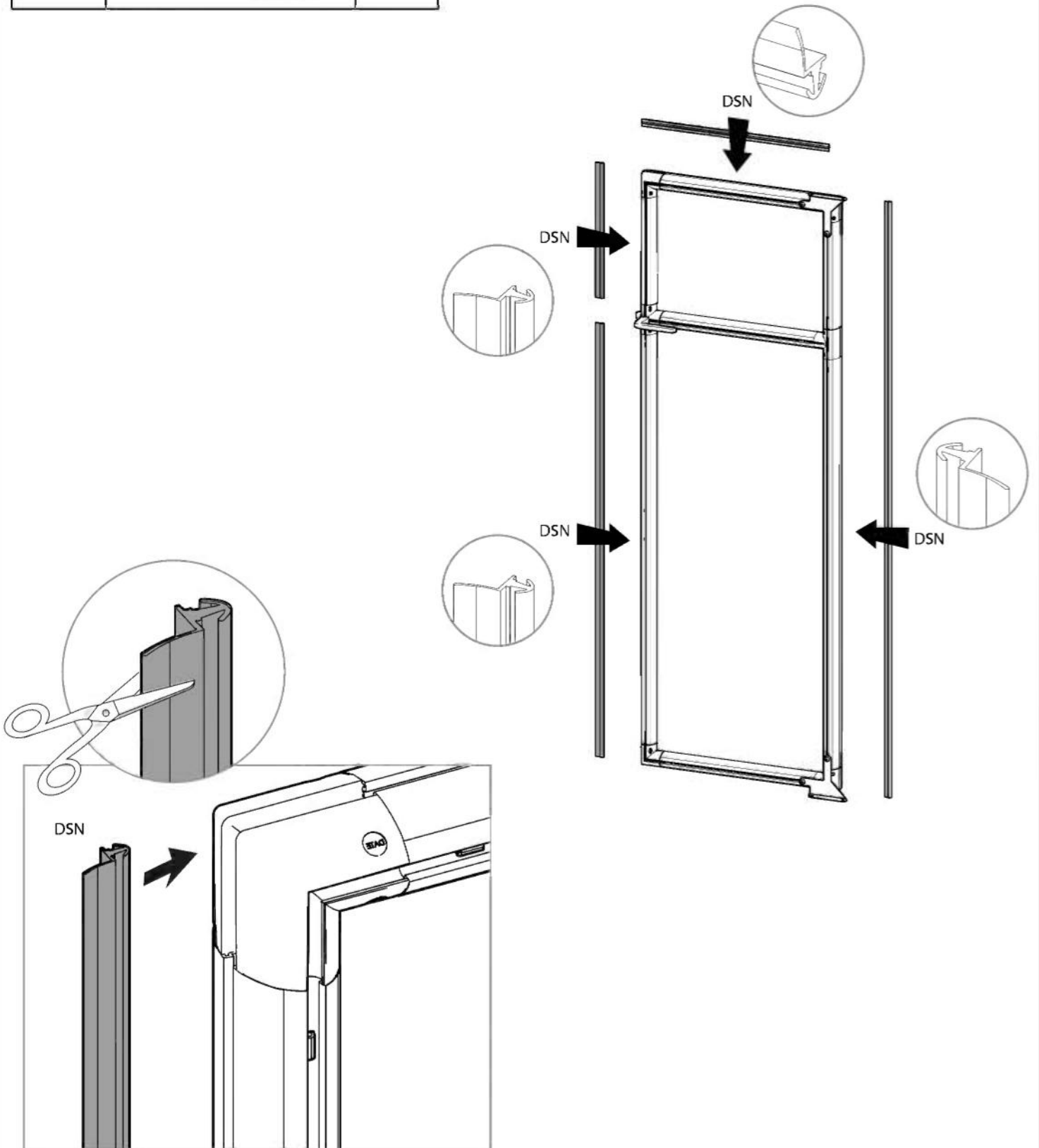


Item		Qty.
7543		1
pin1		4






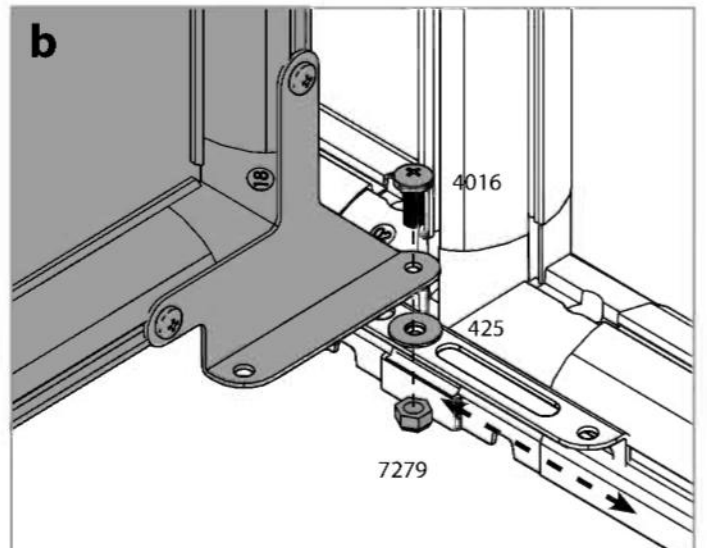
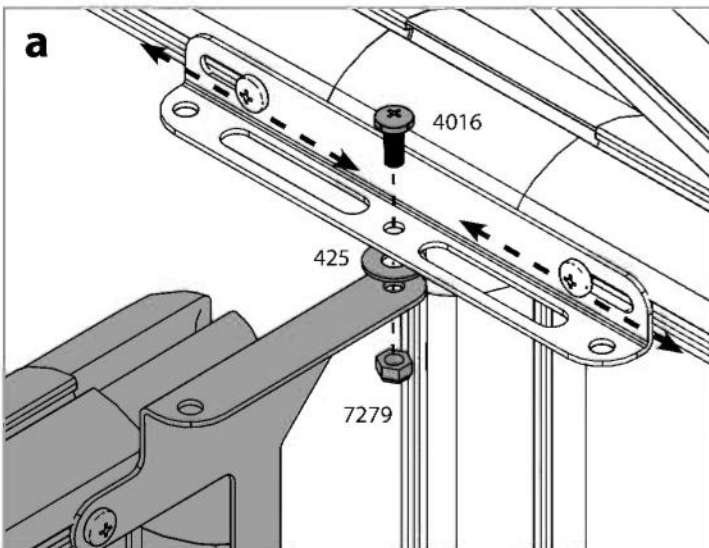
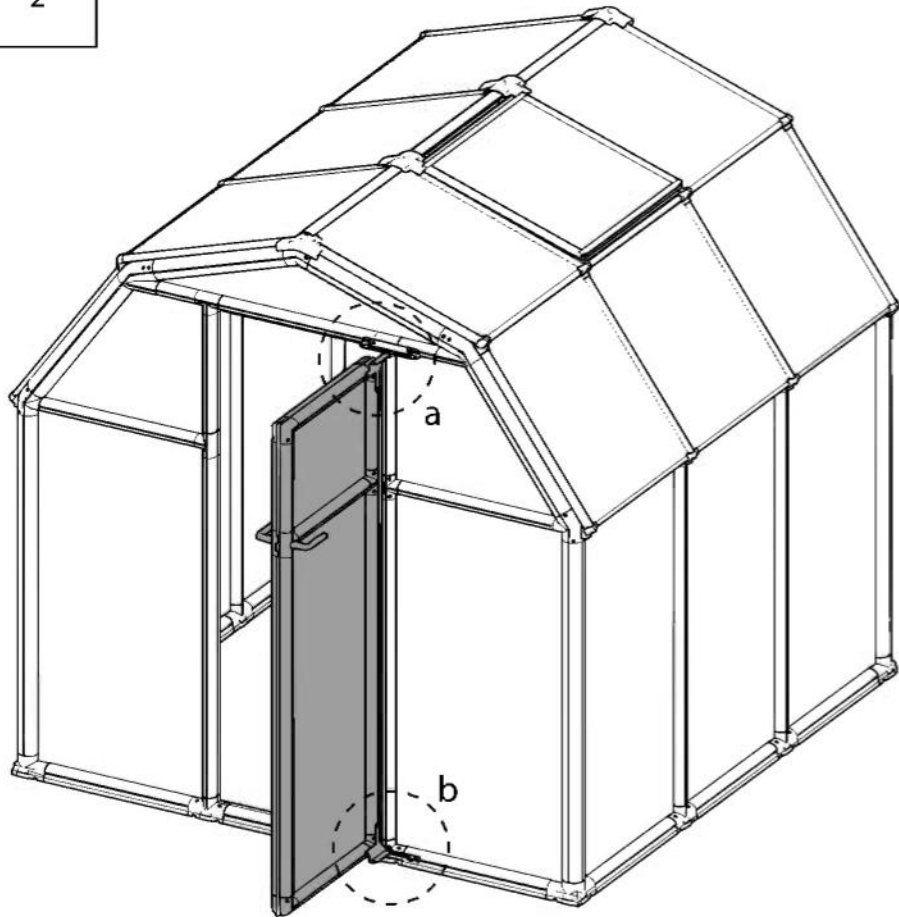


Item		Qty.
DSN		1
		

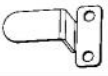



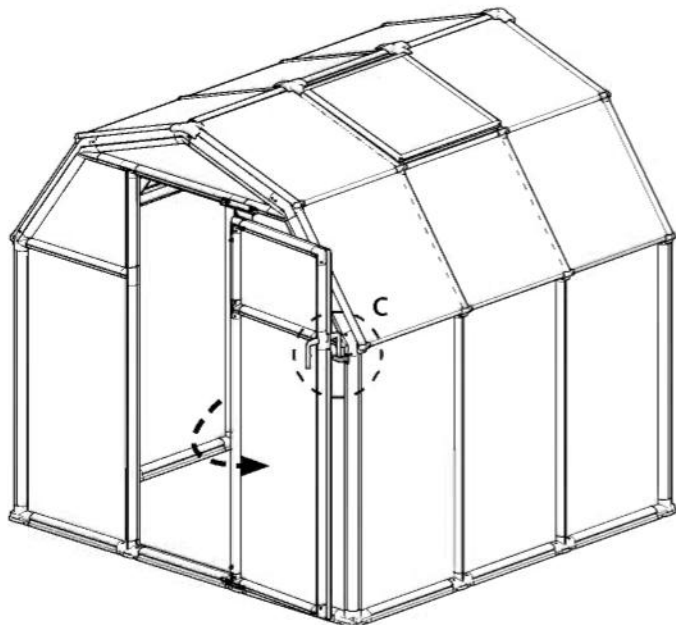
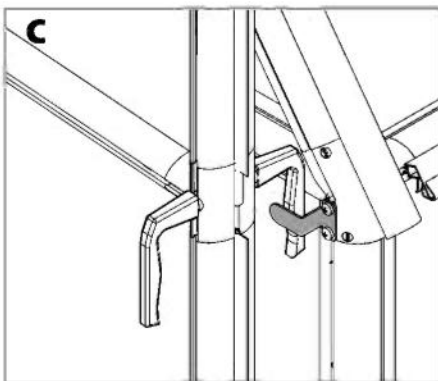
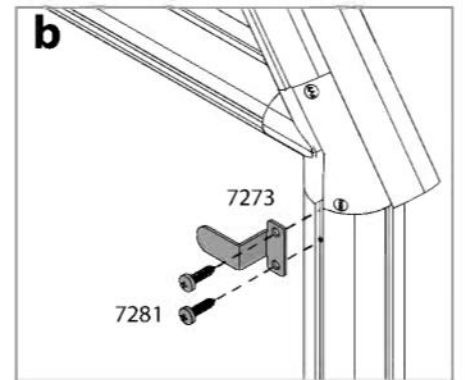
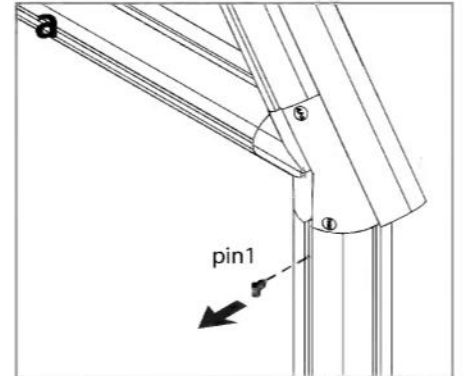
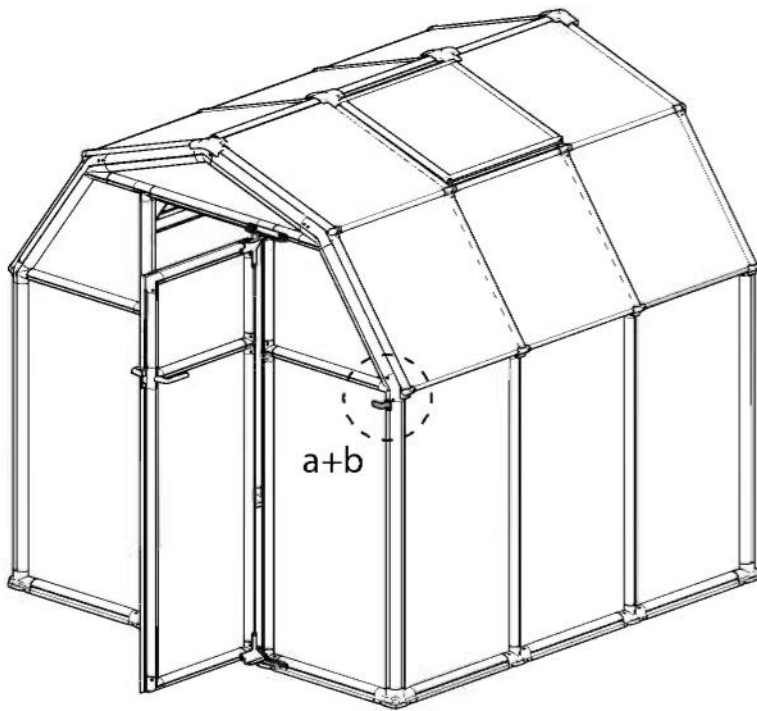
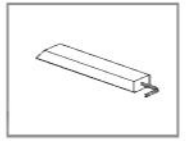
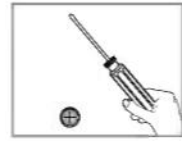


Item		Qty.
4016		2
7279		2
425		2

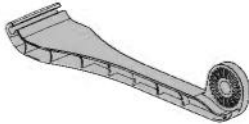
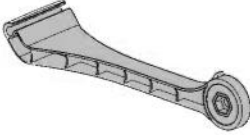












Item		Qty.
7273		1
7281		2










Item		Qty.
8797		1
8798		1
8801		1
410		1
412		1
8799		1
8800		1
461		1
466		1
7441		1

56 - 58

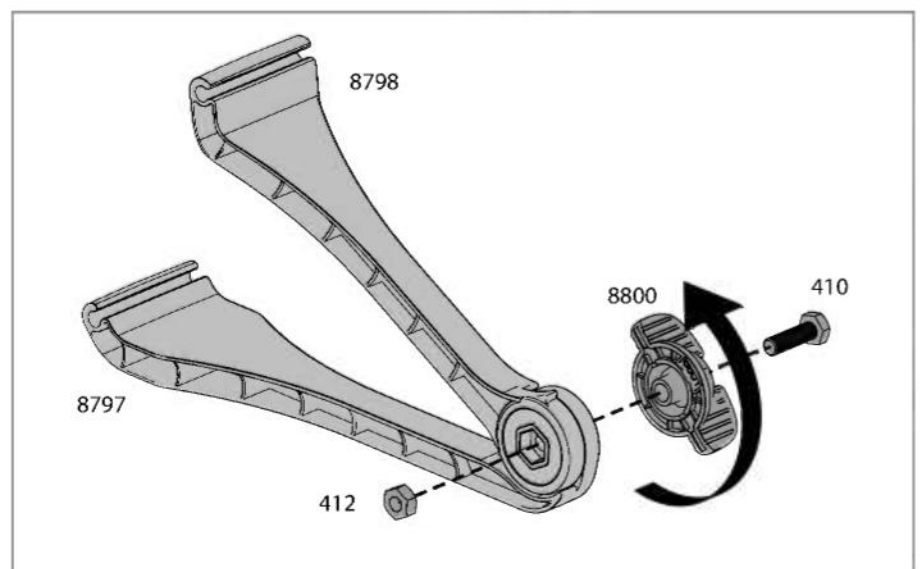
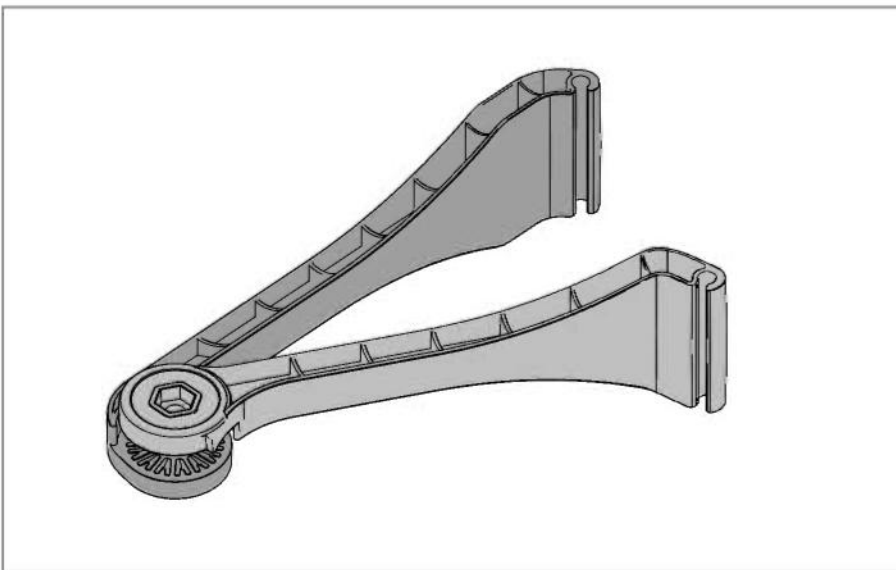
OR

Item		Qty.
99		1
22		1
7441		1
7220		1
466		2



59

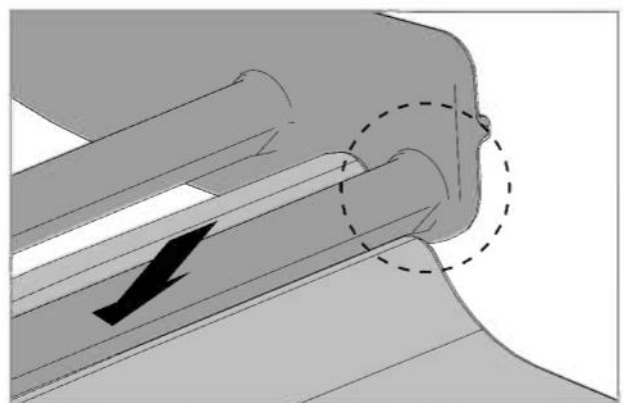
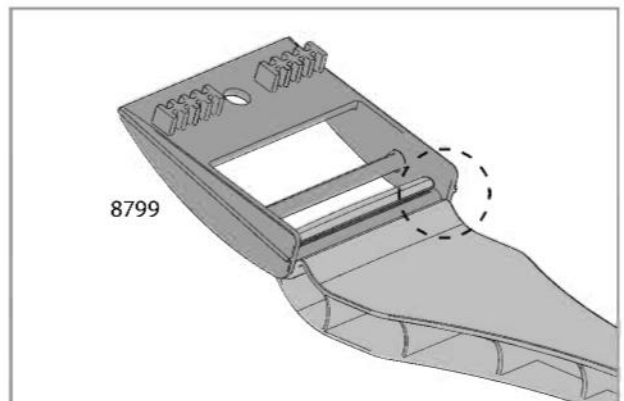
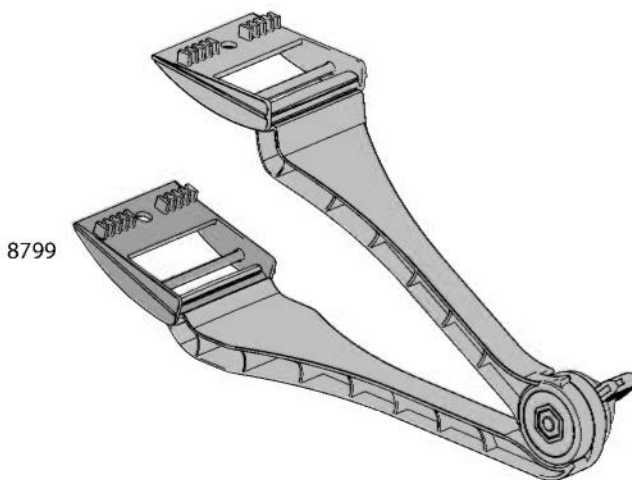
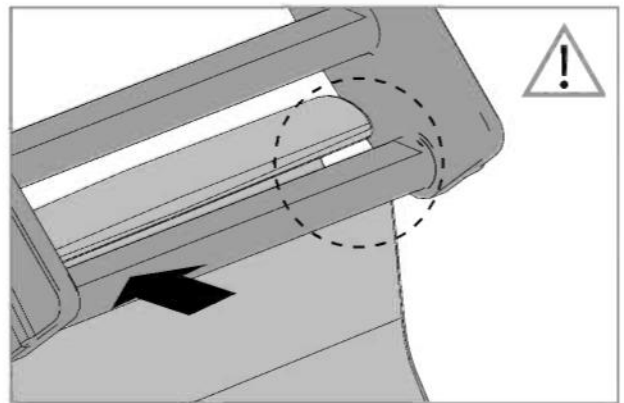
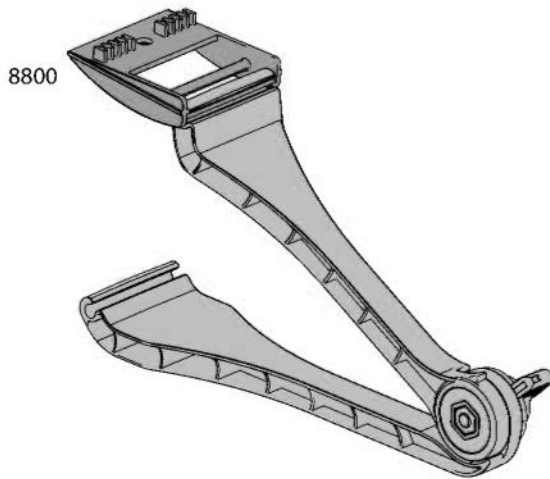
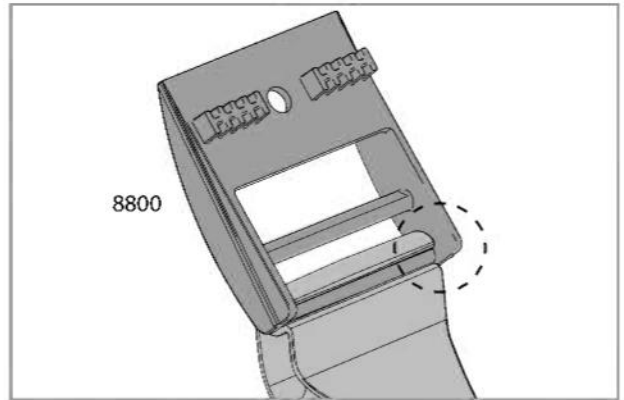


Item		Qty.
8797		1
8798		1
8801		1
410		1
412		1








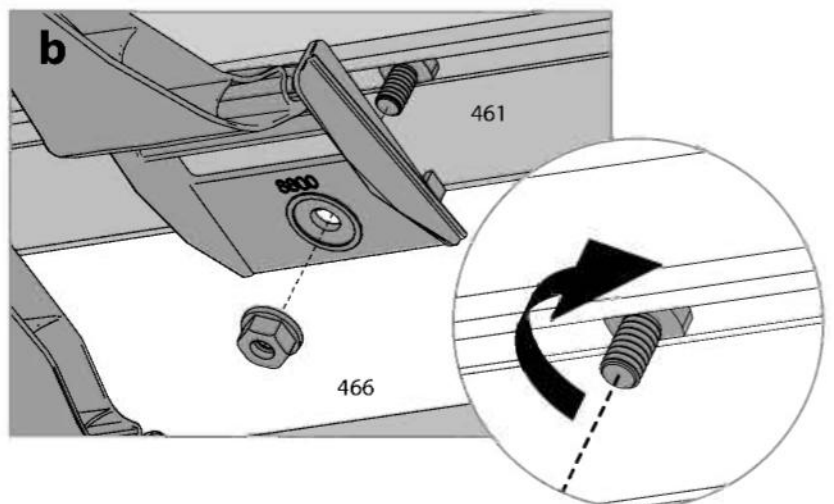
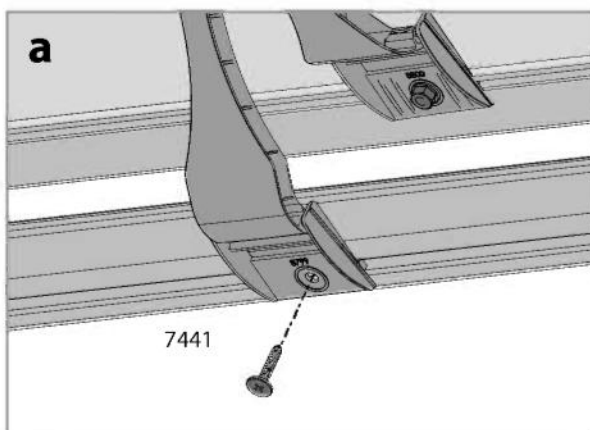
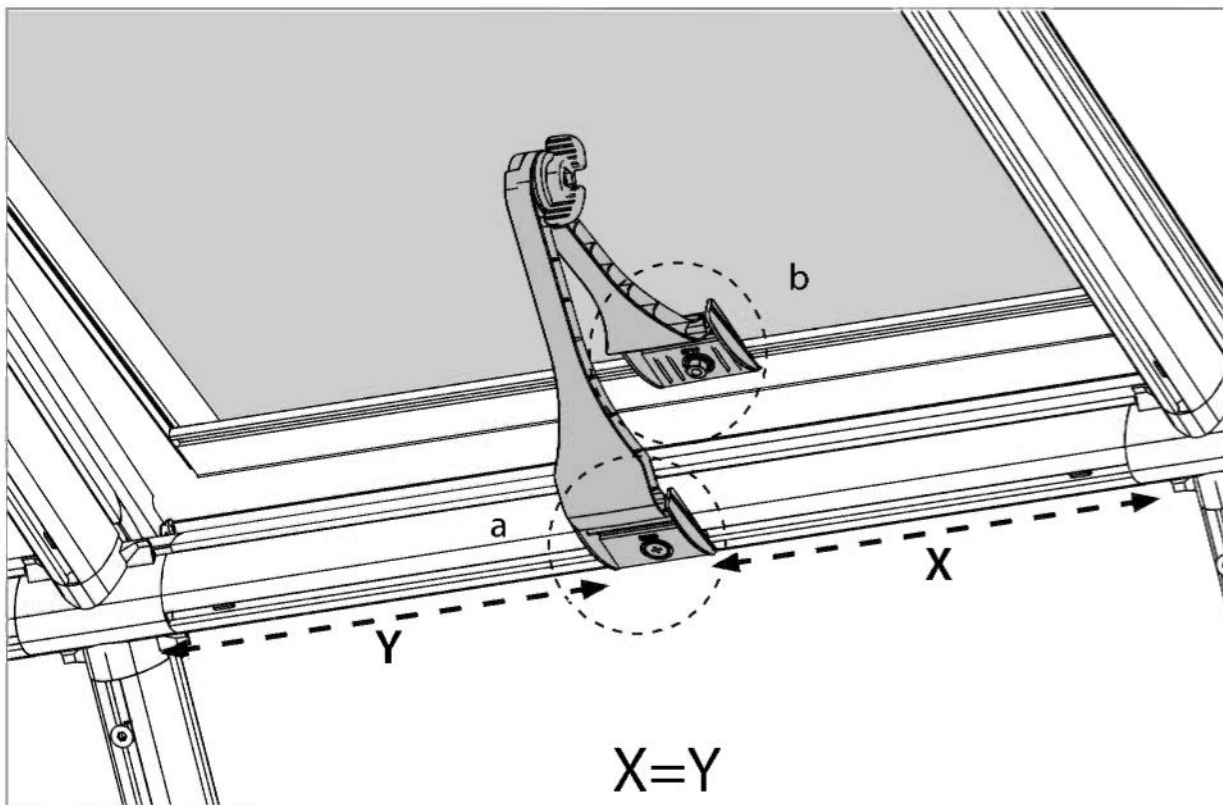
Item		Qty.
8799		1
8800		1





58 **i** If the window doesn't close properly, please release the screws, adjust the profile and re-tighten the screws.

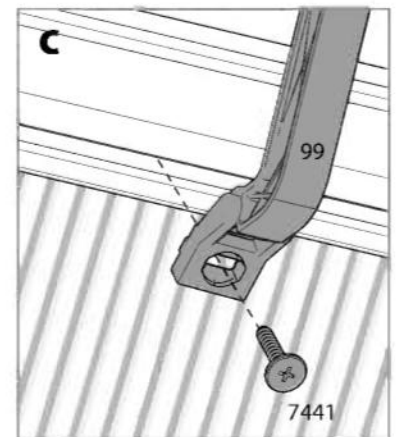
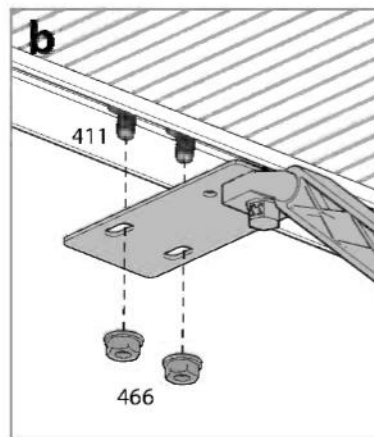
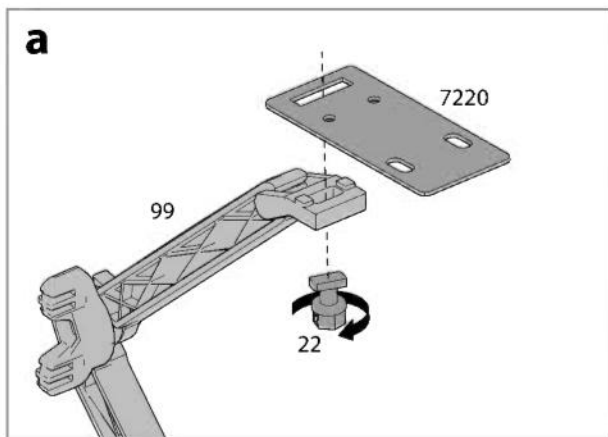
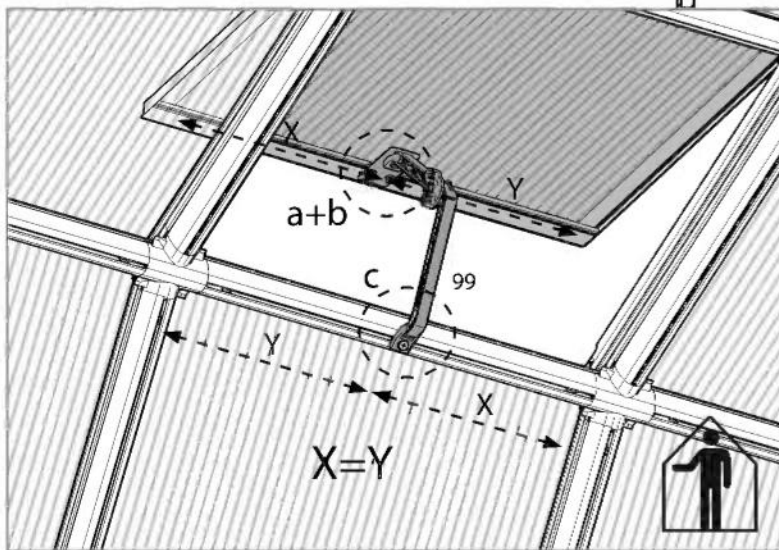
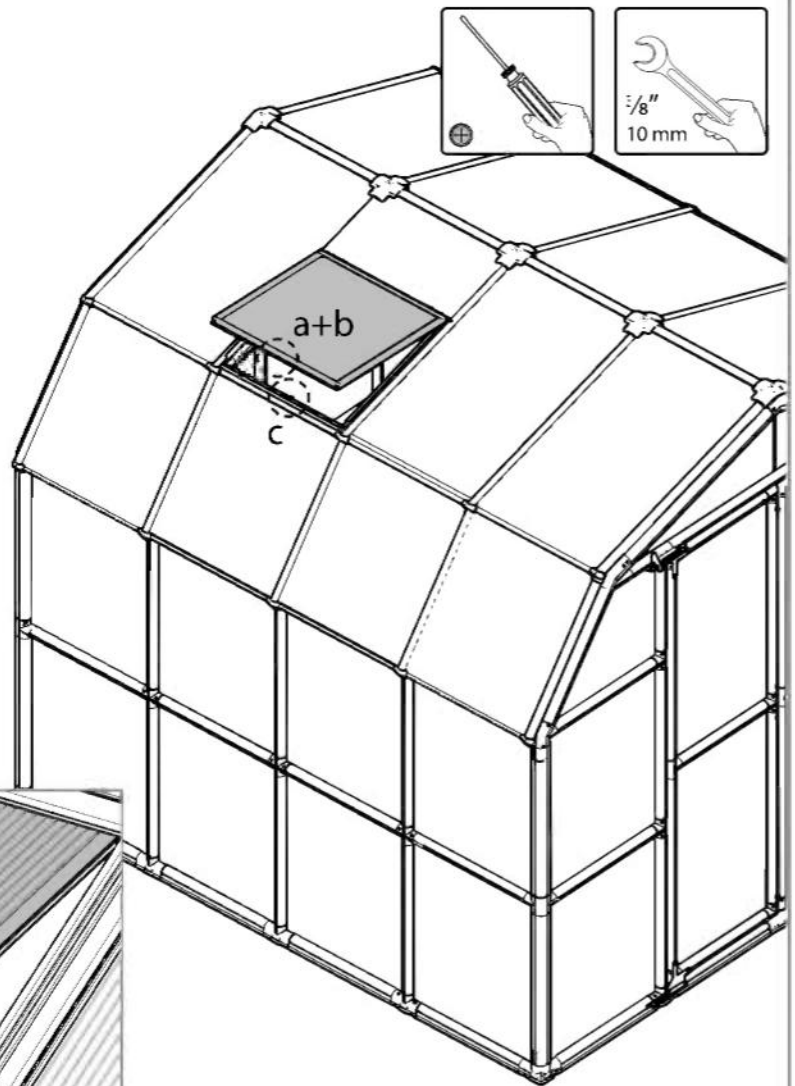
Item		Qty.
461		1
466		1
7441		1





59 **i** If the window doesn't close properly, please release the screws, adjust the profile and re-tighten the screws.

Item		Qty.
99		1
22		1
7441		1
7220		1
466		2



PALRAM - CANOPIA | 7 years Limited Warranty

Product Details: Canopia Greenhouses

Palram Canopia Ltd (Company number: 5121065824) whose registered office is at Teradon Industrial Park, M.P. Misgav 2074, Israel ("Canopia") warrants that the product will be free from defects in material or workmanship for a period of 7 years from the original date of purchase subject to the definitions, terms and conditions contained in this warranty.

- Conditions**
- This warranty shall be valid only if the product is installed, cleaned, handled and maintained in accordance with Canopia's written recommendations (Recommended Use: Hobby Gardening).
- Without derogating from the above, damage caused by use of force, incorrect handling, inappropriate use, neglectful use or assembly or maintenance, accidents, impact from foreign objects, vandalism, pollutants, alteration, painting, connecting, gluing, sealing not in accordance with the user's manual, or damage resulting from cleaning with incompatible detergents and minor deviations of the product are not covered by this warranty.
- This warranty does not apply to damage resulting from "force majeure", which includes but is not limited to, hail, storm, tornado, hurricane, blizzard, flood, fire effects.
- This warranty is void if structural parts and components used are not compatible with Canopia's written recommendations.
- This Warranty applies only to the original purchaser of the product. It does not extend to any other purchaser or user of the product (including, but not limited to, any person who acquires the product from the original purchaser).
- Any other use for any other purpose is under user's sole responsibility. Canopia disclaims and assumes no liability for any use not recommended by this warranty.
- Claims and Notifications**
- Every warranty claim must be notified in writing to Canopia within 30 days after the discovery of the defective product, enclosing the original sales receipt and this warranty.
- The claimant must allow Canopia to inspect the product involved and the installation site itself while the product is still in its original position and has not been removed or moved or altered in any way and/or return the product to Canopia for testing.
- Canopia reserves the right to investigate independently the cause of any failure.
- Compensation**
- If a claim under this Warranty is properly notified and approved by Canopia, the purchaser, at Canopia's option, may either: (a) purchase a replacement product or parts; or (b) receive a refund of the original product or parts purchase price, all in accordance with the following schedule:

Period After Purchasing	Replacement Product or Parts	Refund
From date of purchase up to end of 1 st year	Free of charge	100%
End of 1 st Year up to end of 2 nd year	purchaser will pay 15% of the original purchase price	85%
End of 2 nd year up to end of 3 rd year	purchaser will pay 30% of the original purchase price	70%
End of 3 rd year up to end of 4 th year	purchaser will pay 45% of the original purchase price	55%
End of 4 th year up to end of 5 th year	purchaser will pay 60% of the original purchase price	40%
End of 5 th year up to end of 6 th year	purchaser will pay 75% of the original purchase price	25%
End of 6 th year up to end of 7 th year	purchaser will pay 85% of the original purchase price	15%

- For avoidance of any doubt, calculation for determination regarding compensation for defective parts, according to the schedule above, will be based on the contribution of the defective part to the original cost of the product. Canopia reserves the right to provide substitutions if the product or any part of it is unavailable or obsolete.
- This warranty does not cover any costs and expenses of removal and installation of the product or taxes or shipping cost or any other direct or indirect loss(es) which may result from the product failure.
- General Conditions and Limitations**
- OTHER THAN HAS BEEN SPECIFICALLY STATED IN THIS WARRANTY, ALL OTHER WARRANTIES, WHETHER EXPRESS OR IMPLIED, INCLUDING ALL IMPLIED WARRANTIES OF MERCHANTABILITY OR FITNESS FOR A PARTICULAR PURPOSE ARE EXCLUDED SO FAR AS THE LAW PERMITS.
- EXCEPT WHERE WE HAVE SPECIFICALLY STATED IN THIS WARRANTY, CANOPIA SHALL NOT BE LIABLE FOR ANY LOSSES OR DAMAGES THE PURCHASER SUFFERS DIRECTLY, INDIRECTLY, OR AS A CONSEQUENCE OF USING, OR IN ANY OTHER WAY CONNECTED TO THE PRODUCT.
- IF CANOPIA IS PROHIBITED UNDER ANY APPLICABLE LAW FROM EXCLUDING THE IMPLIED WARRANTIES OF MERCHANTABILITY OR FITNESS FOR A PARTICULAR PURPOSE IN RELATION TO THE PRODUCT, THE DURATION OF ALL SUCH IMPLIED WARRANTIES IS EXPRESSLY LIMITED TO THE DURATION OF THIS WARRANTY OR, IF LONGER, THE MAXIMUM PERIOD REQUIRED BY APPLICABLE LAW.
- THE PURCHASER IS SOLELY RESPONSIBLE FOR DETERMINING WHETHER THE HANDLING, STORAGE, ASSEMBLY, INSTALLATION OR USE OF THE PRODUCT IS SAFE AND APPROPRIATE IN ANY LOCATION, FOR ANY GIVEN APPLICATION OR IN ANY GIVEN CIRCUMSTANCE. CANOPIA IS NOT RESPONSIBLE FOR ANY DAMAGES OR INJURY TO THE PURCHASER, ANY OTHER PERSON OR ANY PROPERTY RESULTING FROM THE IMPROPER HANDLING, STORAGE, INSTALLATION, ASSEMBLY OR USE OF THE PRODUCT OR THE FAILURE TO FOLLOW THE WRITTEN INSTRUCTIONS REGARDING THE HANDLING, STORAGE, INSTALLATION, ASSEMBLY AND USE OF THE PRODUCT.
- UNLESS OTHERWISE EXPRESSLY INDICATED BY CANOPIA, THE PRODUCT IS INTENDED FOR NORMAL RESIDENTIAL AND COMMERCIAL USE ONLY. CANOPIA IS NOT RESPONSIBLE FOR ANY LOSS, DAMAGE, COST OR EXPENSE RESULTING FROM ANY USE OF THE PRODUCT FOR ANY PURPOSE THAT IS NOT RECOMMENDED BY THE WRITTEN INSTRUCTIONS OR THAT IS NOT PERMITTED BY ANY APPLICABLE LEGISLATION OR OTHER CODES IN EFFECT IN THE LOCATION WHERE THE PURCHASER WILL USE THE PRODUCT.
- PLEASE NOTE:** ANCHORING THIS PRODUCT TO THE GROUND IS ESSENTIAL TO ITS STABILITY AND RIGIDITY. IT IS REQUIRED TO COMPLETE THIS STAGE IN ORDER FOR YOUR WARRANTY TO BE VALID.

7 Jahre beschränkte Garantie von PALRAM - CANOPIA

Angaben zum Produkt: Canopia Gewächshäuser

Palram Canopia Ltd (Firmennummer: 5121065824) mit Sitz in Teradon Industrial Park, M.P. Misgav 2074, Israel ("Canopia") garantiert, dass das Produkt für einen Zeitraum von 7 Jahren ab dem Kaufdatum frei von Mängeln in Material und Verarbeitung wird, und den Definitionen, Begriffen und Bedingungen die in dieser Garantie enthalten sind unterliegt.

- Bedingungen**
- Diese Garantie ist nur gültig, wenn das Produkt in Übereinstimmung mit den schriftlichen Empfehlungen von Canopia installiert, gereinigt, behandelt und gepflegt ist. (Empfohlene Verwendung: Hobby Gärtnerei).
- Ohne Abweichung von oben genannten, Schäden, die durch Anwendung von Gewalt, unsachgemäße Behandlung, unsachgemäße Verwendung, nachlässige Nutzung, Montage oder Wartung, Unfälle, Auswirkungen von Fremdkörpern, Vandalismus, Verschmelzung, Veränderung, Malerei, Verbinden, Kleben und Dichten, nicht in Übereinstimmung mit der Bedienungsanleitung, verursacht werden, oder Schäden, die bei Reinigung mit inkompatiblen Reinigungsmitteln entstehen, so wie geringfügige Abweichungen des Produkts, werden durch diese Garantie nicht abgedeckt.
- Diese Garantie gilt nicht für Schäden, die durch höhere Gewalt verursacht werden (beinhaltend aber nicht beschränkt auf: Hagel, Sturm, Tornado, Hurrikan, Schneesturm, Überschwemmungen, Feuer Auswirkungen).
- Diese Garantie erlischt, falls Bauteile und Komponente, die nicht mit den schriftlichen Empfehlungen von Canopia kompatibel sind, verwendet werden.
- Diese Garantie gilt ausschließlich für den ursprünglichen Käufer des Produkts. Sie erweitert sich nicht auf keine anderen Käufer oder Benutzer des Produkts (einschließlich, aber nicht beschränkt auf irgendeine andere Person die das Produkt von den ursprünglichen Käufer erwirbt).
- Jede andere Verwendung, für einen anderen Zweck liegt in der alleinigen Verantwortung des Benutzers.
- Canopia lehnt jede Haftung ab, die von dieser Garantie nicht gedeckt wird, bzw. übernimmt keine Haftung dafür.
- Ansprüche und Mitteilungen**
- Jeder Gewährleistungsanspruch muss Canopia innerhalb von 30 Tagen nach Entdeckung des fehlerhaften Produkts schriftlich vorgelegt werden.
- Hierzu reichen Sie bitte auch den Original-Kaufbeleg und diese Garantie mit ein.
- Der Antragsteller muss Canopia erlauben den betroffenen Produkt und den Aufstellort selbst zu überprüfen, während das Produkt noch in seiner ursprünglichen Position ist und nicht entfernt oder verschoben oder in irgendeiner Weise verändert wurde, unprofitor dem Produkt an Canopia zum Testen zu senden.
- Canopia behält sich das Recht vor die Fehlersachen unabhängig zu untersuchen.
- Entschädigung**
- Ist ein Anspruch gemäß dieser Garantie ordnungsgemäß angemeldet und bei Canopia genehmigt worden, kann der Käufer, nach eigenem Ermessen von Canopia, entweder (a) ein Ersatzprodukt oder Teile erwerben oder (b) eine Erstattung des ursprünglichen Produkt oder Teile Kaufpreises erhalten, alles in Übereinstimmung mit dem folgendem Schema:

Zeitraum nach Erwerb	Ersatzprodukt bzw. Ersatzteile	Rückerstattung
Ab Kaufdatum bis zum Ende des 1. Jahr	Kostenlos	100%
Ende des 1. Jahr bis zum Ende des 2. Jahr	Käufer zahlt 15% des ursprünglichen Kaufpreises	85%
Ende des 2. Jahr bis zum Ende des 3. Jahr	Käufer zahlt 30% des ursprünglichen Kaufpreises	70%
Ende des 3. Jahr bis zum Ende des 4. Jahr	Käufer zahlt 45% des ursprünglichen Kaufpreises	55%
Ende des 4. Jahr bis zum Ende des 5. Jahr	Käufer zahlt 60% des ursprünglichen Kaufpreises	40%
Ende des 5. Jahr bis zum Ende des 6. Jahr	Käufer zahlt 75% des ursprünglichen Kaufpreises	25%
Ende des 6. Jahr bis zum Ende des 7. Jahr	Käufer zahlt 85% des ursprünglichen Kaufpreises	15%

- Um jegliche Zweise auszuschließen, wird sich die Berechnung für die Bestimmung über Entschädigungen für defekte Teile, entsprechend der obigen Schema, auf dem Betrag des defekten Teils an dem ursprünglichen Kosten des Produktes beruhen. Canopia behält sich das Recht vor für ein Ersatz zu sorgen, falls der Produkt oder ein Teil davon nicht verfügbar oder veraltet ist.
- Diese Garantie erstreckt sich nicht auf Kosten und Ausgaben für Aus- und Einbau des Produkts oder Steuern oder Versandkosten oder sonstige direkte oder indirekte Verluste die sich von einem Produktfehler ergeben können.
- Allgemeine Bedingungen und Einschränkungen**
- ANDERS ALS BESONDERS IN DIESER GARANTIE ANGEZEIGT, ALLE ANDEREN GARANTEN, OB AUSDRÜCKLICH ODER IMPLIZIT, EINSCHLIESSLICH ALLER ENGESCHLOSSENEN GARANTIELEISTUNGEN DER MARKTGÄNGIGKEIT ODER EIGNUNG, FÜR EINEN BESTIMMTEN ZWECK SIND SO WEIT DIES RECHTLICH MÖGLICH IST AUSGESCHLOSSEN.
- AUSSER ALS AUSDRÜCKLICH IN DIESER GARANTIE ANGEZEIGT, HAFTET CANOPIA NICHT FÜR IRGENDWELCHE VERLUSTE ODER SCHÄDEN DIE DER KÄUFER, DIREKT ODER INDIRECT ALS FOLGE DER NUTZUNG ODER IN IRGENDWELCHEN ANDEREN MIT DEM PRODUKT VERBUNDENEN WESELEIDET.
- FALLS CANOPIA EIN AUSSCHLUSS DER STILLSCHWENKENDEN GARANTIE DER MARKTGÄNGIGKEIT ODER EIGNUNG FÜR EINEN BESTIMMTEN ZWECK IN BEZUG AUF DIES PRODUKT NACH GELTENDEM RECHT NICHT GESTATET IST, WIRD DIE DAUER ALLER SOLCHER ALLEN GARANTEN AUSDRÜCKLICH AUF DIE DAUER DIESER GARANTIE BESCHRÄNK, ODER FALLS LÄNGER, AUF DIE GESETZLICH VORGESCHRIEBENE HOCHSTDAUER.
- DER KÄUFER IST ALLEN DAFÜR VERANTWORTLICH FESTZUSTELLEN, OB DIE HANDHABUNG, LAGERUNG, MONTAGE, INSTALLATION ODER VERWENDUNG DES PRODUKTS AN BELIEBIGEM STANDORT UND FÜR JEDE GEGEBENE ANWENDUNG ODER SITUATION, SICHER UND ANGENESSEN IST. CANOPIA IST NICHT VERANTWORTLICH FÜR SCHÄDEN ODER VERLETZUNGEN DES KÄUFERS, ANDERER PERSONEN ODER DES EIGENTUMS, DIE IN FOLGE EINER UNSACHGEMÄSSEN HANDHABUNG, LAGERUNG, EINBAU, MONTAGE ODER NUTZUNG DES PRODUKTS ODER DURCH NICHTBEACHTUNG DER ANWEISUNGEN ZUR HANDHABUNG, LAGERUNG, EINBAU, MONTAGE UND NUTZUNG DES PRODUKTS ENTSTANDEN SIND.
- DIE WARE IST BESTIMMT AUSSCHLIESSLICH ZUR NORMALEN PERSÖNLICHEN UND KOMMERZIELLEN NUTZUNG, SOFERN NICHT AUSDRÜCKLICH ETWAS ANDERES DURCH CANOPIA VERBIBART WURDE. CANOPIA HAFTET NICHT FÜR VERLUSTE, SCHÄDEN, KOSTEN ODER AUSGABEN, DIE AUS EINER NICHT VON DEN ANWEISUNGEN EMPFOHLENE VERWENDUNG DES PRODUKTS ZU IRGENDENEM ZWECK ENTSTEHEN ODER DIE VON KEINEM GELTENDE RECHTSVORSCHRIFTEN ODER ANDEREN CODES ERLAUBT SIND DIE AN DEM ORT WO DER KÄUFER DEN PRODUKT BENUTZEN WIRD IN KRAFT SIND.
- DIE VERANKERUNG DIESER PRODUKTS IM UNTERGRUND IST WESENTLICH FÜR SEINE STABILITÄT UND FESTIGKEIT. SIE IST UNABWÄSSLICH, URN DISEN ARBEITSSCHRITT ZU BEENDEN, DAMIT IHRE GARANTIE GÜLTIG BLEIBT.