


**NEW**

# eazypod™

**AUTOMATIC**

The automatic choice for your pond



 MANUFACTURED  
IN THE UK

EVOLUTION  
AQUA  
INNOVATION IN WATER

# eazypod™

AUTOMATIC

## The automatic choice for your pond

The EazyPod Automatic is a **self-cleaning, mechanical** and **biological** filter system for garden ponds up to 10,000 litres.

The **integrated control box** contains an **adjustable timer** which initiates a cleaning cycle automatically - even when you're not there!

Inside the control box, the electronic connector blocks control the **automated waste valve**, along with your choice of circulating pump (not supplied). It even houses an **integral air pump** which kicks in automatically to clean the **K1 Micro media**.

Crystal clear, healthy water is achieved by K1 Micro filter media, which also provides **enhanced biological benefits** by way of its protected surface area.

The **EazyPod UV Automatic** features an integrated **18 Watt UVC** built in to the inlet section of the filter, helping to **clear green water**.

Available in 2 models, users can select either the **EazyPod Automatic** or the **EazyPod UV Automatic** (with built-in 18 watt UV). Both models are also available either in Grey or Green body colours.



Also available as:

eazypod™  
uv  
AUTOMATIC



# eazypod™

AUTOMATIC

## How the EazyPod Automatic works

The concept of the **EazyPod Automatic** is simple and yet innovative. Water enters via the inlet and passes over an **18 watt UV Clarifying bulb** (on UV versions), helping to kill any single celled algae in the water.

The water then enters the outer chamber, which runs around the entire circumference of the EazyPod. Between the outer chamber and the inner chamber, there is a stainless steel perforated screen. These perforations are situated in the lower half of the screen and around its entire face. This means that when the water passes from the outer to inner chamber, a downward and upward flow is created. This causes many of the larger solids to settle in the base of the outer chamber, due to the force of gravity.

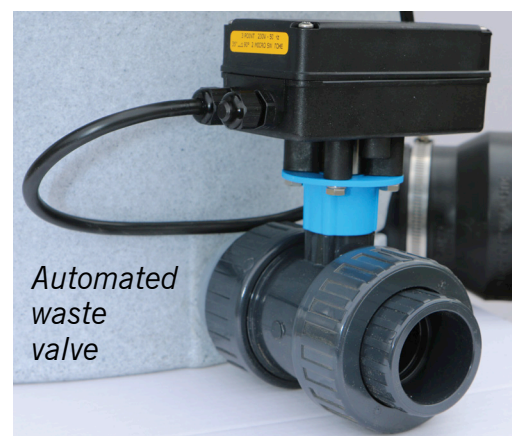
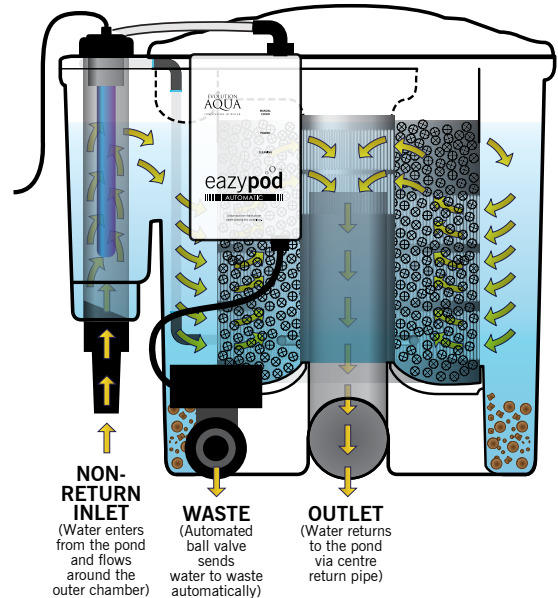
The size of the perforations will not allow large mechanical waste to enter the inner chamber, thus acting as a first stage mechanical filter. The inner chamber holds **18 litres** of static **K1 Micro media**. As the water enters the inner chamber, the fine smaller solids become entrapped in the K1 Micro. After passing through the K1 Micro, the clean water then rises and overflows into the inner return pipe. From here it returns to the pond via the return outlet.

The EazyPod Automatic filtration system gives water quality and clarity that surpasses all expectations. The nature and volume of the **K1 Micro** means, that when static, apart from being a very efficient mechanical filter, there is more than enough surface area for beneficial bacteria to colonise. Therefore on a smaller pond, the EazyPod Automatic is an excellent complete filter.

## Cleaning overview

The K1 Micro is cleaned by the integrated air pump located inside the control box, that is connected to the air line in the EazyPod Automatic, which in turn goes to an air ring in the base of the inner chamber. The air ring has small holes in it which causes the K1 Micro to move and therefore clean itself.

During the cleaning cycle, the finer particles escape into chamber from the K1 Micro. This waste water will be automatically dumped via a 1½ inch motorised ball valve.



## EasyPod Automatic Cleaning Cycle

Cleaning is fully automated on the EasyPod Automatic, and is controlled by a built-in timer, which is factory set at one clean every 3 days, however, this is easily adjustable to fit in with your pond requirements.

The EasyPod Automatic will run a cleaning cycle which lasts approximately 6 and a half minutes.

EasyPod Automatic cleaning cycle:

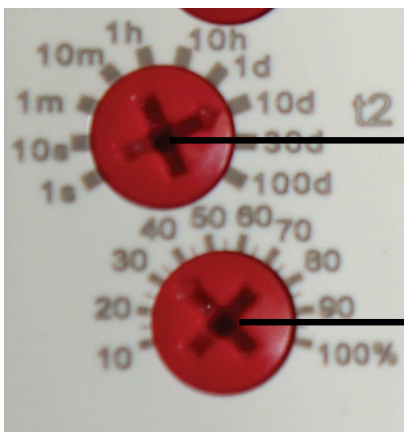


- 0
- 2
- 4
- 6.5
- APPROX. CLEANING TIMES (Mins)
- Adjustable timer kicks in to start a cleaning cycle.
  - The amber light on the control box illuminates.
  - Control box automatically switches circulating pump off.
  - Air pump inside the control box is switched on to clean the K1 Micro media.
  - After the K1 Micro media has been cleaned, the automated waste valve opens.
  - The EasyPod Automatic is drained to waste.
  - The automated waste valve closes. (Both green and amber lights are illuminated)
  - When the waste valve is fully closed, the air pump is switched off.
  - When only the green light is illuminated, the circulating pump switches back on.
  - EasyPod Automatic returns to filtration mode.

\*NOTE: If the circulation pump does not switch on, then the waste valve is not fully closed and you will see both the green and amber lights illuminated. This safety feature is built in to ensure that you cannot empty your pond.

## Adjusting the Cleaning Cycle

If you do not want to have your EasyPod cleaned once every 3 days, as is factory set, you can alter the cleaning frequency to suit your needs. Simply turn **SCREW A** and **SCREW B** to point to the different digits using the sequences shown in the tables below:



Use a pozi-drive screwdriver to turn the screw head, so the arrow on the dial points to the appropriate digit.

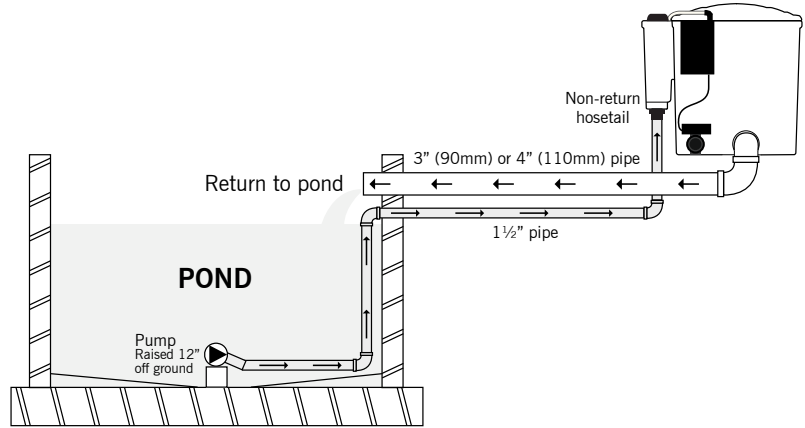
**SCREW A** - This screw sets the time of the cycle. (Factory set pointing to 10 d)

**SCREW B** - This screw sets the frequency as a percentage of the time set above. (Factory set pointing to 30%)

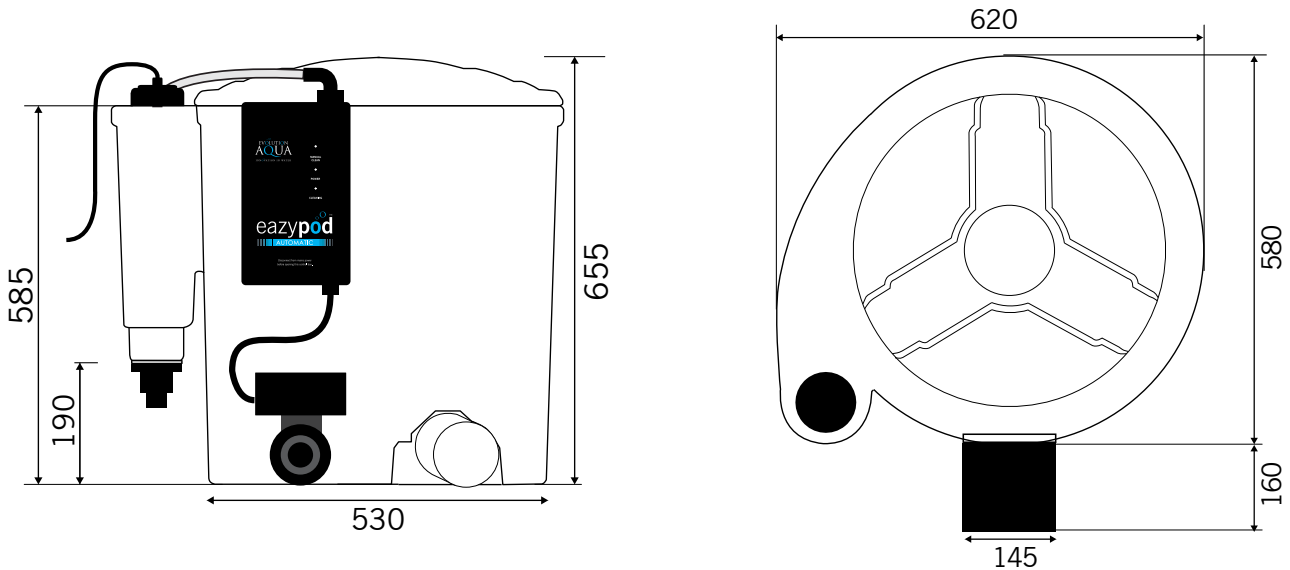
## INSTALLATION

### Pump Fed Install Only

By this we mean that if your pump is going to be used to supply the water to the filter, and the filtered water then returns back into your pond via gravity, i.e. down a waterfall, or through a large diameter pipe, this is referred to as **PUMP FED** (i.e. the water is fed to the filter using a pump).



## DIMENSIONS



## SPECIFICATIONS

Model	Max. pond size ornamental fish	Max. pond size with Koi	Max. feed rate	Volume of water in filter	Max. flow rate	Air pump	UV-C bulb
eazypod AUTOMATIC	10,000 Litres 2,200 Gallons 2,640 US Gallons	10,000 Litres 2,200 Gallons 2,640 US Gallons	100 - 125g Per Day	80 Litres 18 Gallons 21 US Gallons	10,000 Lph 2,200 Gph 2,640 US Gph	Built-In Inside Control Box	x
eazypoduv AUTOMATIC	10,000 Litres 2,200 Gallons 2,640 US Gallons	10,000 Litres 2,200 Gallons 2,640 US Gallons	100 - 125g Per Day	80 Litres 18 Gallons 21 US Gallons	10,000 Lph 2,200 Gph 2,640 US Gph	Built-In Inside Control Box	18 W PL-L

MANUFACTURED  
IN THE UK

eazypod<sup>TM</sup>  
AUTOMATIC

EVOLUTION  
AQUA  
INNOVATION IN WATER

## Pricing



eazypod<sup>TM</sup>  
AUTOMATIC



eazypod<sup>TM</sup>  
AUTOMATIC

MODEL	COLOUR	EA CODE	RRP
EazyPod UV Automatic (With built-in UV)	GREY	EAZYPODAUTOUV	
EazyPod Automatic	GREY	EAZYPODAUTO	
EazyPod UV Automatic (With built-in UV)	GREEN	EAZYPODAUTOUVG	
EazyPod Automatic	GREY	EAZYPODAUTOG	

# eazypod™

AUTOMATIC

## Also Available

In addition to the EazyPod Automatic and EazyPod UV Automatic, the existing range of EazyPod filters are still available from Evolution Aqua.



EazyPod with built-in UV and supplied with air pump.

Available in Grey or Green colours.



EazyPod and air pump.

Available in Grey or Green colours.



EazyPod only.

Available in Grey or Green colours.



eazypod<sup>TM</sup>  
AUTOMATIC

**Evolution Aqua Ltd**

Evolution House  
Kellet Close  
Wigan  
Lancashire  
United Kingdom  
WN5 0LP

t: +44 (0) 1942 216554  
f: +44 (0) 1942 418489  
e: [info@evolutionaqua.com](mailto:info@evolutionaqua.com)  
w: [www.evolutionaqua.com](http://www.evolutionaqua.com)