

Before assembly

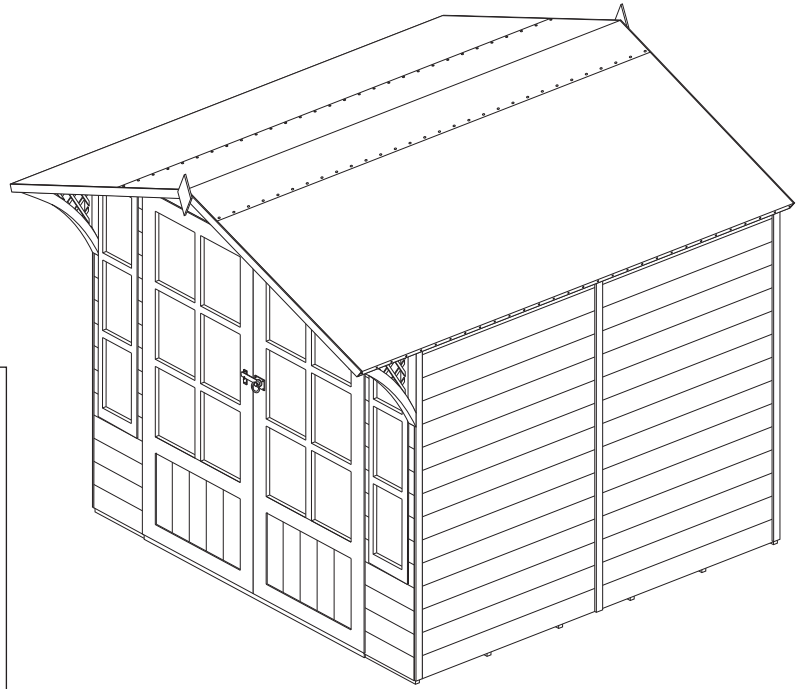
- We recommend that time is taken to read the instructions before starting assembly, then follow the easy step by step guide. The instruction sheet is only a guide to the assembly. Certain items may not be shown to scale.
- Check all components prior to assembly
- This product should be assembled by no less than two people.
- Some of the components may have sharp edges wear protective work gloves while handling components.
- Never attempt to erect the assembly in high winds.
- Drill components where indicated.



Recommended tools for assembly

- Electric drill/screw driver
- Cross head screwdriver bit
- Hammer
- Sharp knife
- Hacksaw
- 3mm diameter drill bit
- 12mm diameter drill bit
- Spirit level
- Silicon sealant
- Step ladder

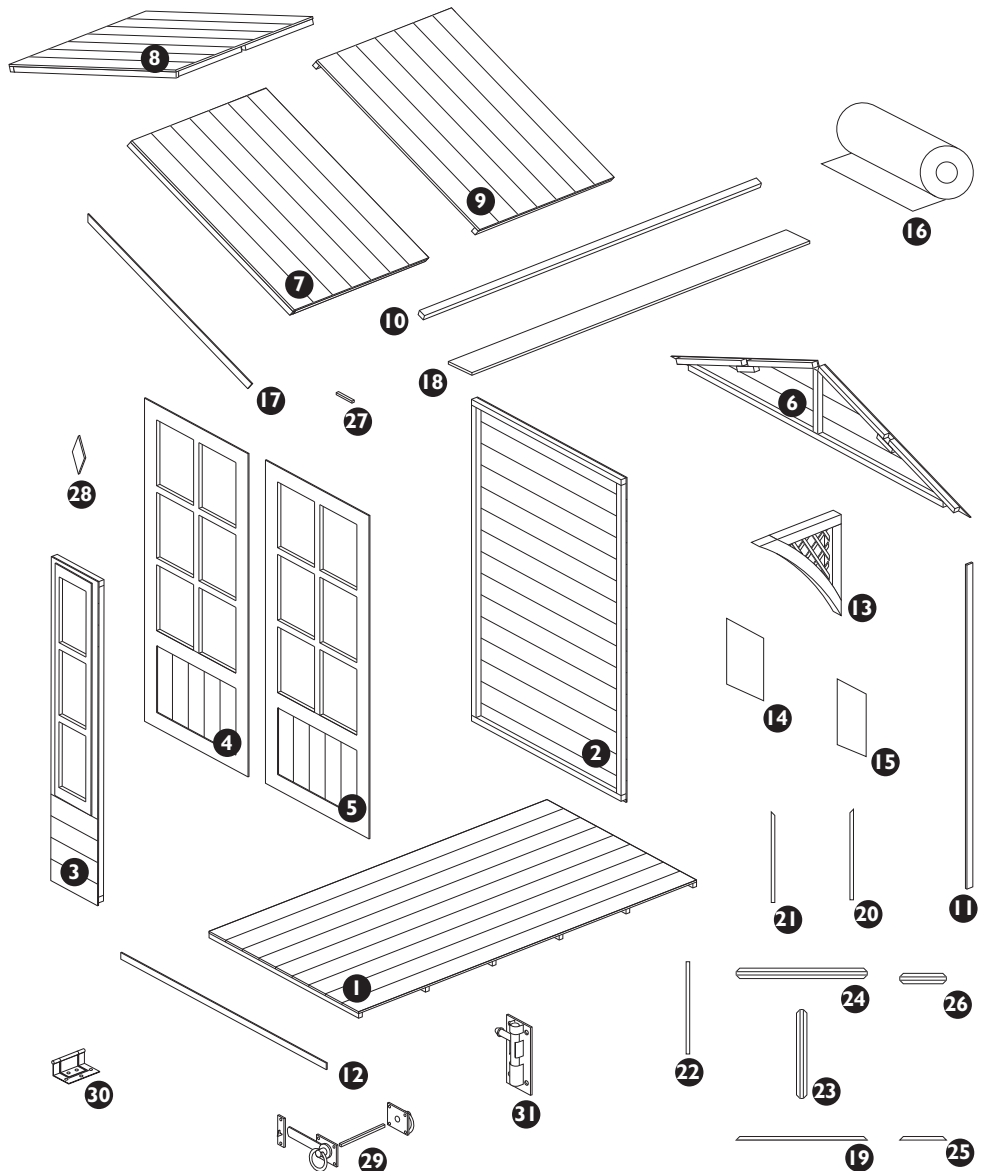
Dimensions	
Overall external	
Height =	2220mm
Width =	2130mm
Depth =	2700mm
Footprint	
Width =	1980mm
Depth =	2050mm
Min. base area	
Width =	2080mm
Depth =	2150mm



No.	Components	Qty.
1	Floor section	2
2	Plain wall panel	6
3	Front window panel	2
4	Left door	1
5	Right door	1
6	Apex panel	2
7	Front right/back left roof panel	2
8	Front left/back right roof panel	2
9	Middle roof panel	2
10	Roof purlin (36 x 29 x 2050mm)	4
11	Coverstrip (48 x 12 x 1690mm)	7
12	Kick strip (38 x 12 x 1360mm)	1
13	Lattice wing panel	2
14	Door glazing (372 x 264mm)	12
15	Window glazing (190 x 370mm)	6
16	Roof felt roll (2.8m)	3
17	Bargeboards (48 x 12 x 1150mm)	4
18	Apex cover (110 x 12 x 1990mm)	1
19	Door beading top/bottom (14 x 10 x 555mm)	4
20	Door/window beading TR/BL* (14x10 x 380mm)	8
21	Door/window beading TL/BR* (14x10 x 380mm)	8
22	Door/window beading middle (14x10 x 390mm)	8
23	Door vertical spar (44 x 10 x 360mm)	6
24	Door horizontal spar (44 x 10 x 537mm)	4
25	Window beading top/bottom (14 x 10 x 195mm)	4
26	Window horizontal spar (44 x 10 x 537mm)	4

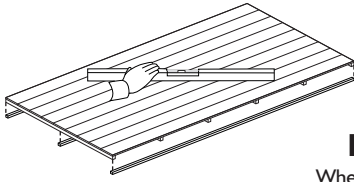
*TR/BL = Top right/bottom left
 TL/BR = Top left/bottom right

No.	Fixing Kit	Qty.
27	Door frame beading (15 x 15 x 100mm)	1
28	Finial	2
29	Latch door handle kit	1
30	Door hinge	6
31	Tower bolts	2
32	70mm screws	2
33	63mm screws	8
34	50mm screws	39
35	35mm screws	42
36	25mm screws	30
37	19mm round head screws	10
38	19mm black round head screws	10
39	40mm nails	41
40	30mm nails	2
41	25mm panel pins	138
42	10mm felt nails	148



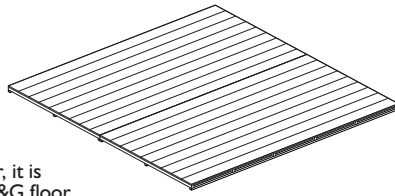
1. Floor

Prepare a level area for the summerhouse to sit. Attach at least three wooden or similar bearers of size 50 x 50 x 2040mm to each of the floor sections (not supplied in kit). Place the two sections on the floor butted up next to each other, as shown in the diagram.



Important

When laying the floor, it is important to note the T&G floor boards must run from the front of the building to the back.



Important note

ensure ground contact is avoided and air is able to circulate underneath the building.

Placing the building on a concrete pad or slab base is acceptable provided that the building is not allowed to sit in pooled water during wet conditions.

If the building is to sit on soil or grass it **MUST** be erected on pressure treated wooden 50mm x 50mm or similar bearers (**These are not supplied in the kit**).

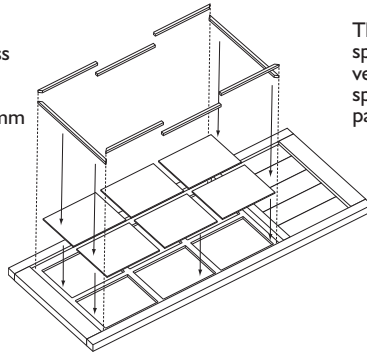
Rowlinson Garden Products recommend using pressure treated bearers with all buildings on any type of base.

2. Glazing

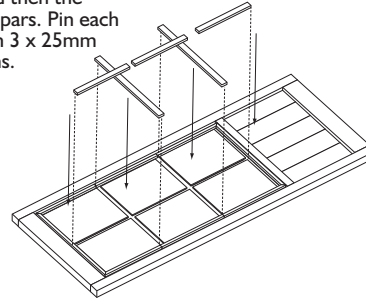
Lay the doors and window panels on the ground. Working on one panel at a time, apply a small amount of waterproof silicon sealant around the edge of each piece of glazing before placing the window panes into the frames. When all glass is in place, fit the beading into position. Fit the outer edges first, then the horizontal spars and for the doors, fit the three vertical centre spars. Attach each of beading and spar pieces with 3 x 25mm panel pins.



Fit the glass. With the glass in place fit the outer edge beading first. Pin each beading strip with 3 x 25mm panel pins.



Then fit the horizontal spars and then the vertical spars. Pin each spar with 3 x 25mm panel pins.



Important

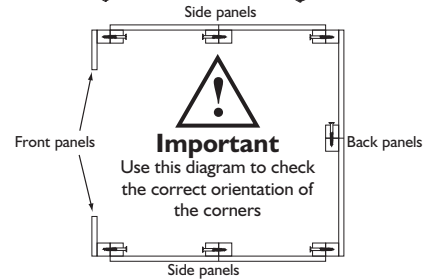
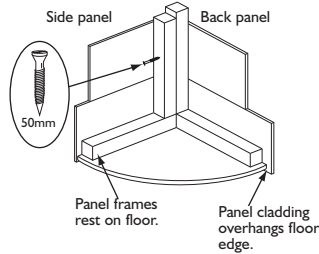
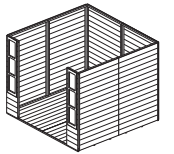
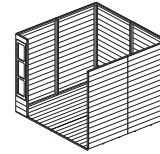
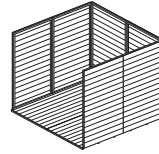
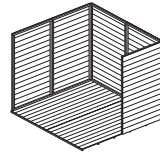
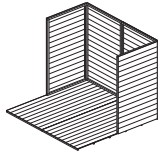
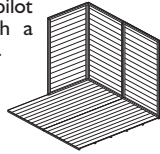
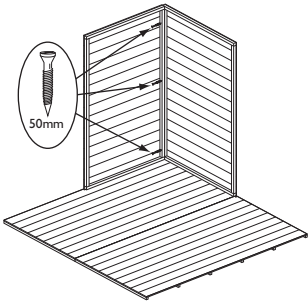
It is easier to glaze the doors and window panels prior to assembly.

3. Wall panels

Position two back panel and one side panel on the floor at the back left corner as shown. Note how the panel frames sit on the floor with the panel cladding overhanging the floor edge. Ensure square and secure the two panels together using 3 x 50mm screws. Screw through the frame of the side panel into the frame of the back panel. Position another panel on the back wall next to the other, ensure level and secure them together using 3 x 50mm screws, screw through the frame of the first panel into the frame of the second. Continue adding the rest of the panels as shown in the diagrams.

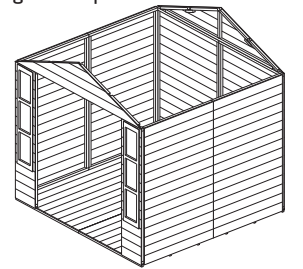
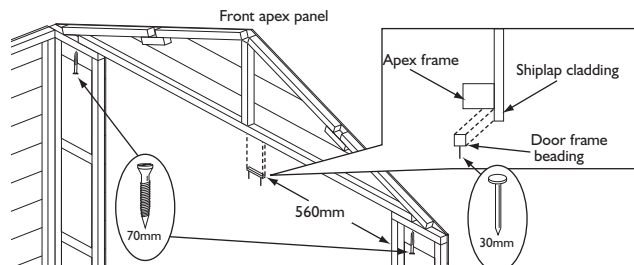
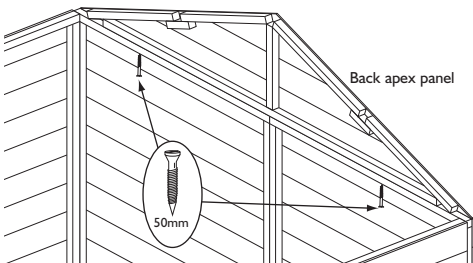


It is recommended to drill pilot holes for these screws with a 3mm drill bit before assembly.



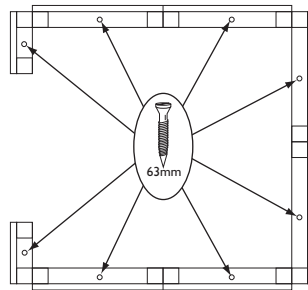
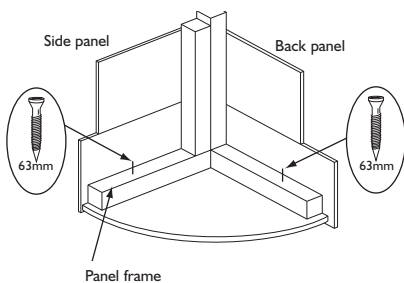
4. Apex panels

Place the back apex panel on top of the back wall, make sure the bottom shiplap board of the apex panel fits correctly into the shiplap board of the back wall. Secure using 2 x 50mm screws, screw up through the top frame of the back panel into the bottom frame of the apex panel. Repeat for front apex using 70mm screws. Attach to the front apex the door frame beading using 2 x 30mm nails. Secure it to the bottom of the framing, up against the cladding about 560mm from the right front panel as shown below.



5. Securing the walls to the floor

Ensure the panels are sitting square on the floor. Secure them by screwing through the panel frames into the floor using 8 x 63mm screws.

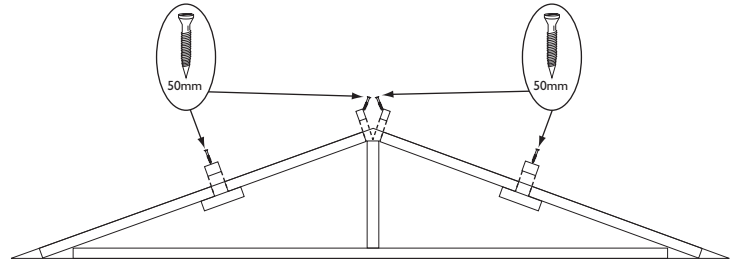
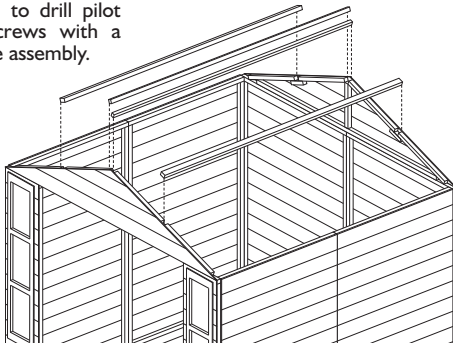


6. Roof purlins

Insert the four roof purlin into the rebates in the apex sections. Fix in place at the ends of the purlin, using 2 x 50mm screws per purlin. Screw through the purlin and into the frame of the apex panels.



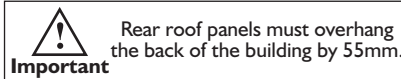
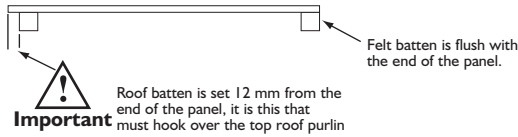
It is recommended to drill pilot holes for these screws with a 3mm drill bit before assembly.



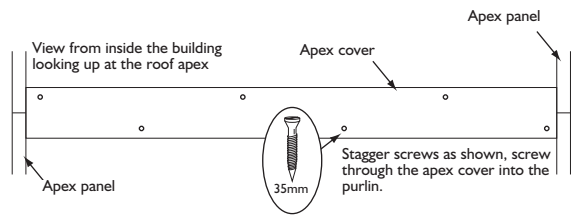
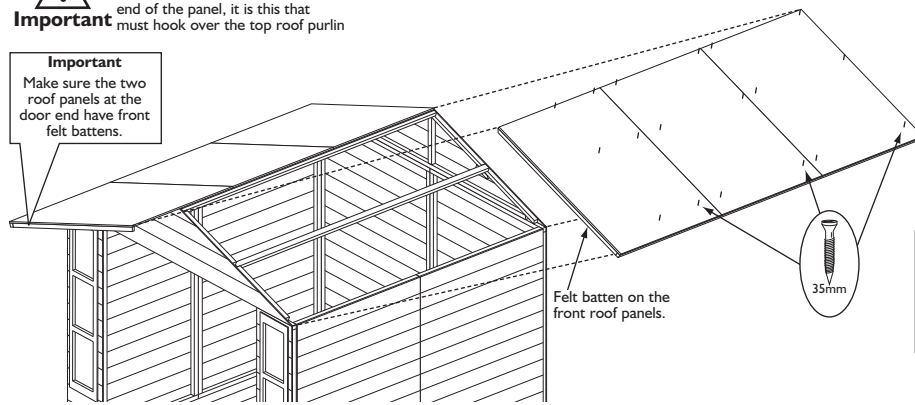
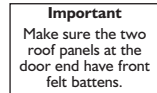
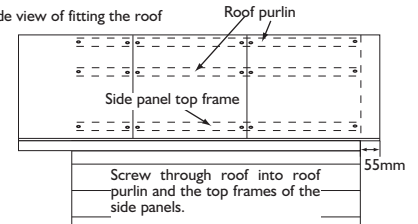
7. Roof panels

Lift the rear roof panels into position at the back of the building, hooking the roof battens over the upper roof purlins. Ensure these panels overhangs the back of the building by 55mm. Secure each panel to the roof purlins and the top frame of the side walls using 6 x 35mm screws per panel. Working towards the front of the building, hook the centre roof panels over the upper purlins and with them pushed right up against the rear roof panels, secure each panel with 6 x 35mm screws. Add the front roof panel and secure in the same way. To the inside of the roof fit the apex cover to the two centre purlin using 6 x 35mm screws.

Side view of roof panel

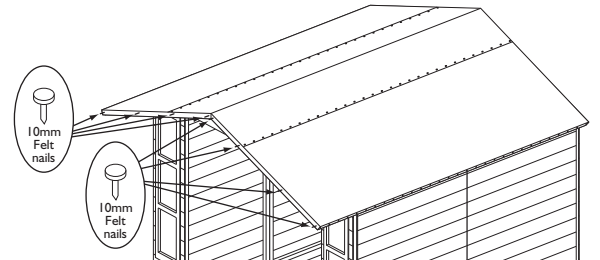
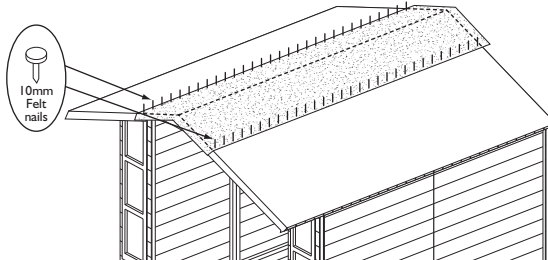
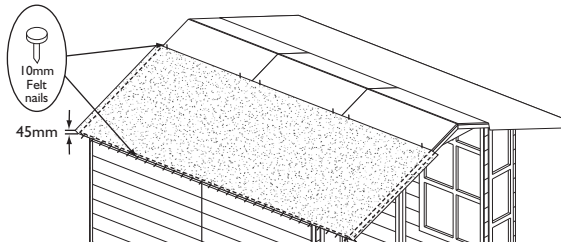
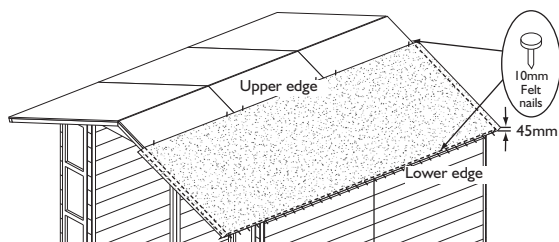


Side view of fitting the roof



8. Roofing felt

Place a length of felt over half of the roof. At the front and along the lower edge of the roof leave an overhang of felt of at least 45mm to cover the felt battens. Fold down the felt along the lower edge and secure to the felt batten using 30 x 10mm felt nails evenly spaced. Tension the felt over the roof and secure along the upper edge using 6 x 10mm felt nails. Repeat this for the second piece of felt on the other half of the roof. Once the two pieces of felt are in place take the 3rd felt piece and place over the apex of the roof making sure it sits centrally over the roof ridge and overlaps the other two felt pieces, attach using 30 x 10mm felt nails evenly spaced, along the two long edges of the ridge felt. Dress down the ends of the felt and at the front attach to the felt batten with 6 x 10mm felt nails. Repeat at the back of the building. Once secured trim off excess felt.

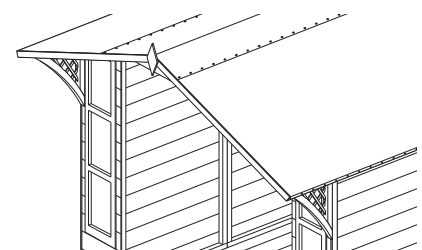
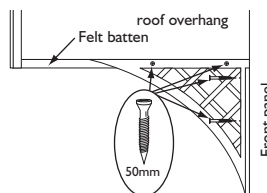
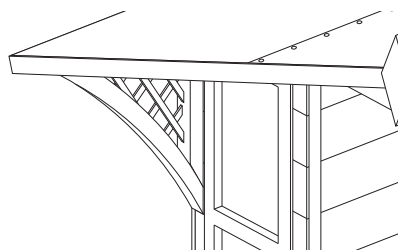


9. Lattice wing panels

Position a lattice wing side panel in the corner of the roof and front panel. Ensure the wing is flush to the outer edge of the building and secure using 2 x 50mm screws, screw through the frame of the wing into the front panel, fix to the roof felt batten using 2 x 50mm screws as shown. Attach the other wing panel in the same way.

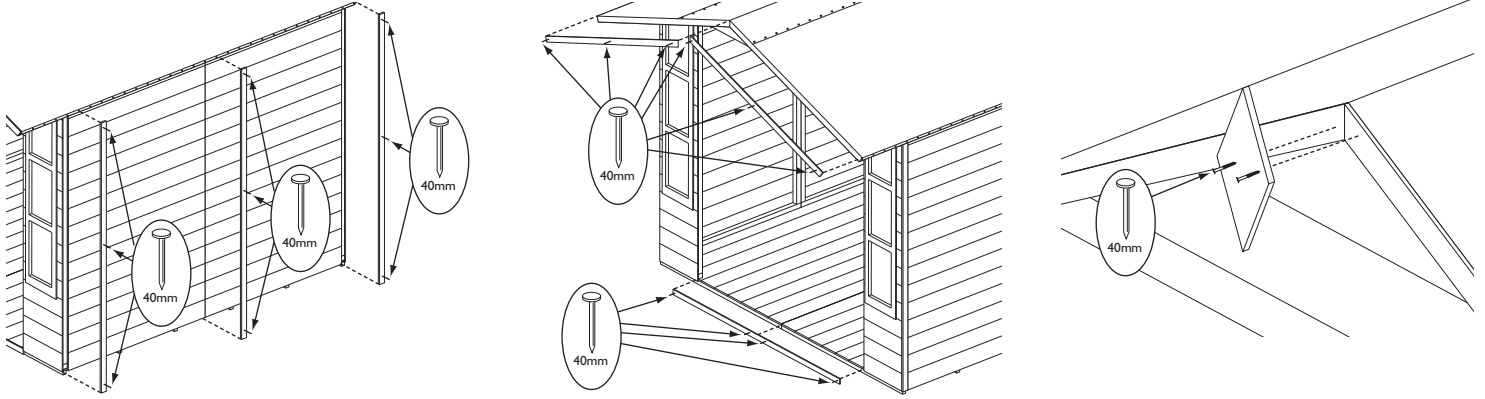


It is recommended to drill pilot holes for these screws with a 3mm drill bit before assembly.



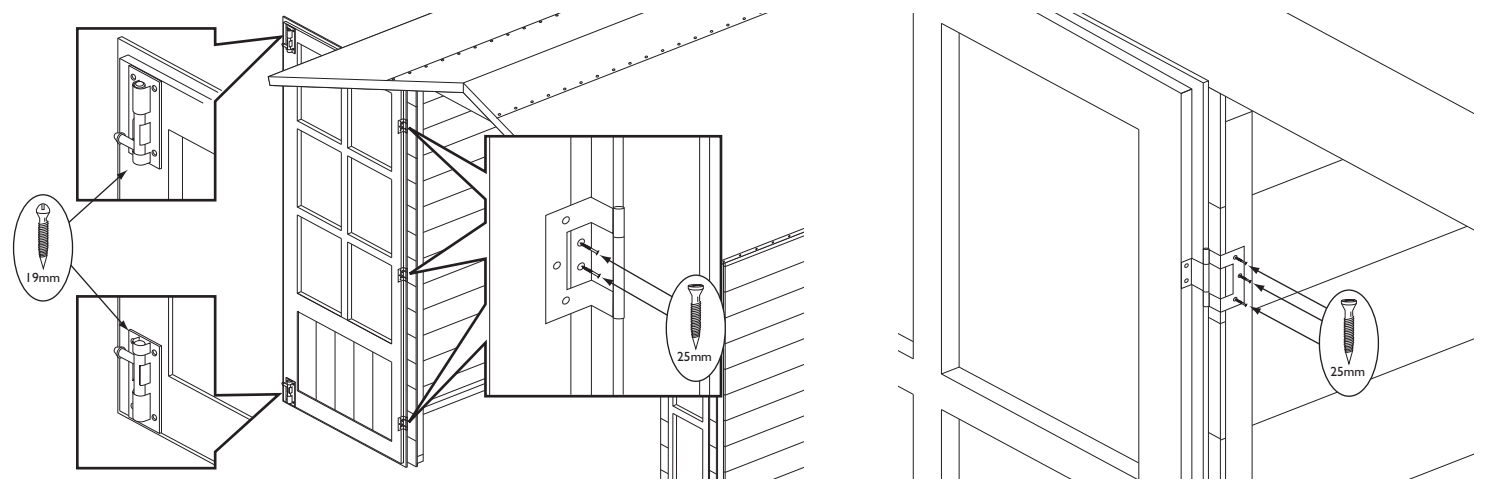
10. Coverstrips, bargeboards and finials

Fit a Coverstrips into each corner, attach using 3 x 40mm nails per strip. The remaining three are used to cover the panel joins, one on each side and the back, attach using 3 x 40mm nails per strip. Attach bargeboards at the front so that the top edge is flush with the roof line and the two boards meet evenly in the middle secure using 3 x 40mm nails per board. Attach a finial centrally over the join between the two bargeboards using 2 x 40mm nails. Fit the remaining bargeboards and finial to the back of the building in the same way. Fit the kick strip to the bottom of the door opening using 4 x 40mm nails.



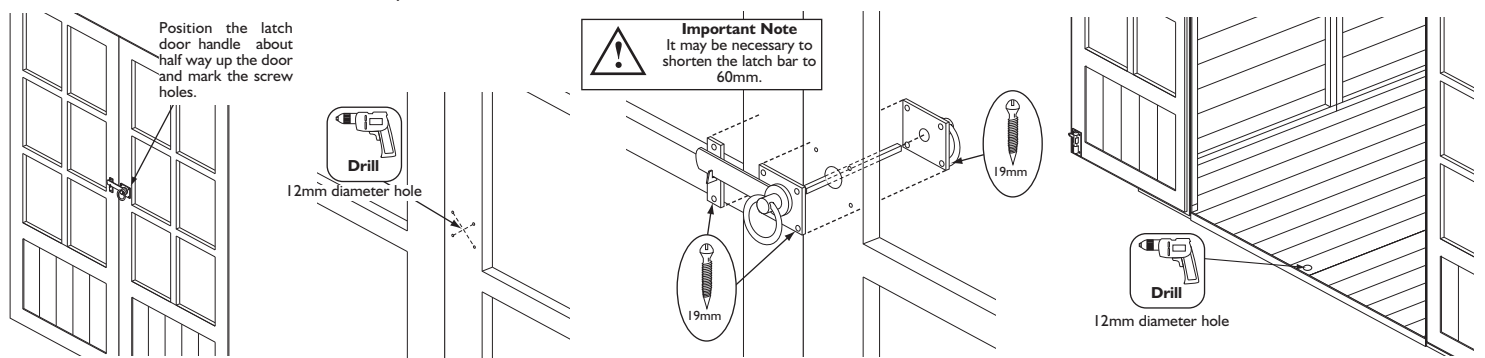
11. Hanging the doors

Fit three hinges to the long rebated edge of each door. Position them 150mm from the ends and one centrally between the other two. Attach the small tab of each hinge using 2 x 25mm screws. Open the hinges and fit them around the door frame, adjust the door to the correct height and fix the hinges to the door frame using 3 x 25mm screws per hinge. Attach the tower bolts to the inside of the left door as shown using 4 x 19mm round head screws per bolt.



12. Latch door handle

Position the Latch door handle about half way up the door as shown in diagram. Mark the position of the holes on the door. Remove the latch and draw two lines connecting opposite corners, drill a 12mm diameter hole where the two lines cross. Put the latch bar in the hole on the back of the latch, then reposition the latch (putting the bar through the drilled hole) and attach using 4 x 19mm black screws. On the other side of the door fit the inside door handle to the bar and then using 4 x 19mm black screws attach the handle to the door. On the front of the other door position the latch holder so that it holds the latch horizontal. Once in position attach to the door with 2 x 19mm black screws. With the doors shut, drop the lower tower bolt and mark where it touches the floor. Drill a 12mm hole in the floor for the bolt to fit in.



Important information

Shiplap buildings come ready stained but this is only a preparatory treatment. To **VALIDATE** the guarantee, the building must be properly treated with a recognised external wood preserver **WITHIN 3 MONTHS** of assembly and **RE-TREATED ANNUALLY** thereafter. The building must also be erected on 50mm x 50mm treated wooden or similar bearers (These are not supplied with the kit.) Ground contact must be avoided.

Timber Information.

As timber is a natural material, there are certain weather conditions that may affect the materials properties. In times of excessive dry spells the material may lose some of its internal moisture causing a certain degree of shrinkage on a panel and in periods of excessive rain there will be a certain amount of swelling throughout the wooden panels. This process can not be avoided. If you have problems with certain boards shrinking in dry spells try to decrease the amount of direct sunlight on the building or the amount of air passing over the building. During hot spells spray water directly onto the panels with the aid of a garden hose.

If in doubt of any aspect regarding the assembly, use or safety of your summerhouse please contact us :

Help Line: (Normal Office Hours) 01829 261 121

Email: support@rowgar.co.uk

ROWLINSON GARDEN PRODUCTS LIMITED
Green Lane
Wardle Nr. Nantwich
Cheshire
CW5 6BN
www.rowgar.co.uk

We constantly improve the quality of our products, occasionally the components may differ from the components shown and are only correct at time of printing. We reserve the right to change the specification of our products without prior notice.

2015 © Rowlinson Garden Products Ltd