

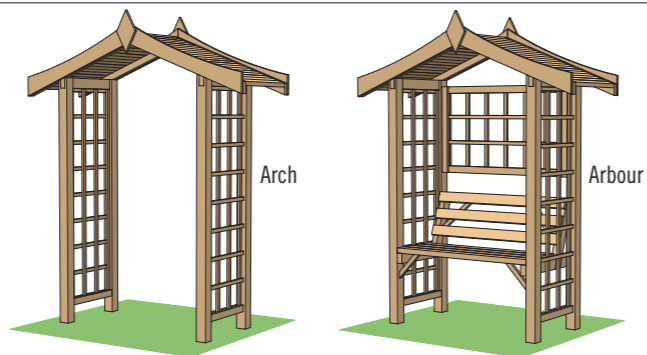


# How to build Arbours and Arches

The addition of an arbour or an arch will greatly enhance the appearance of any garden and Grange offers a wide range of both to suit all your requirements. All are flat-packed for ease of transport.

These pages feature simple step-by-step instructions for the construction of an arbour or arch (an arbour can be thought of as an arch with a seat and back panel added).

## BUILDING AN ARBOUR OR ARCH



## BEFORE YOU START

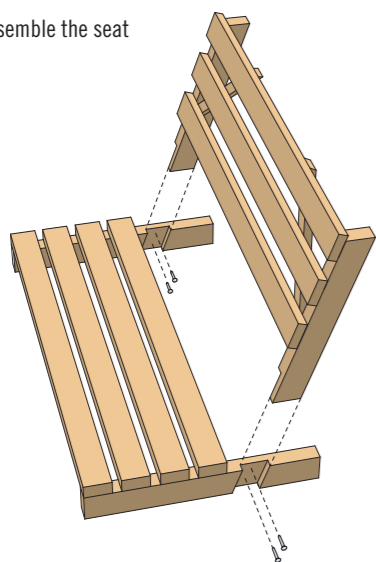
- Before you start, check all component parts against the parts list.
- Have someone available to help you - two people are recommended for the assembly.
- Ensure you have a clean flat area of adequate size for the assembly.
- Make sure you have the right tools for the job.

Assembly time is approximately one hour for the construction of an arbour and half an hour for an arch (excluding hole preparation time)

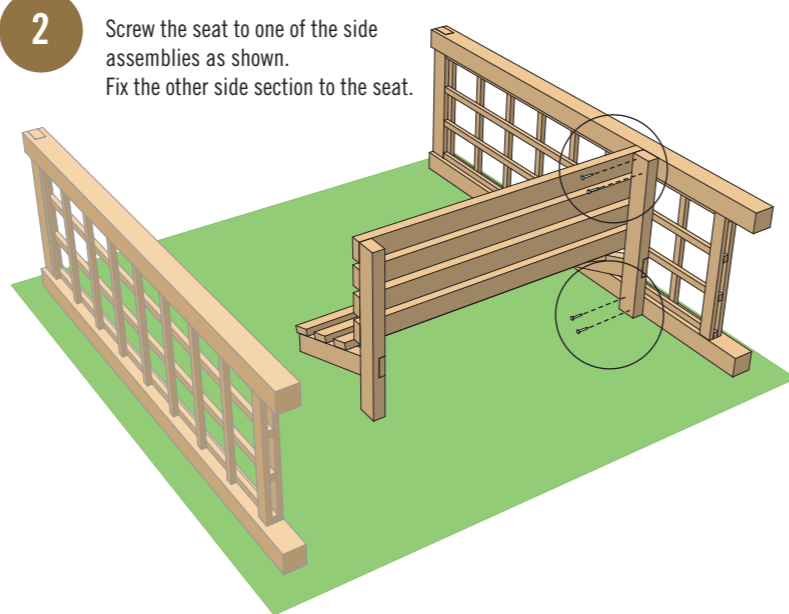


- Tools required:**
- Tape measure
  - Power drill
  - 2.5mm drill bit
  - No.2 Pozidriv drill bit
  - Spirit level
  - Hammer

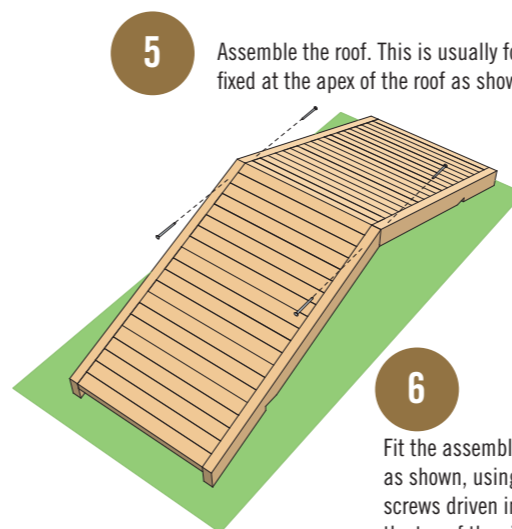
### 1 Assemble the seat



### 2 Screw the seat to one of the side assemblies as shown. Fix the other side section to the seat.

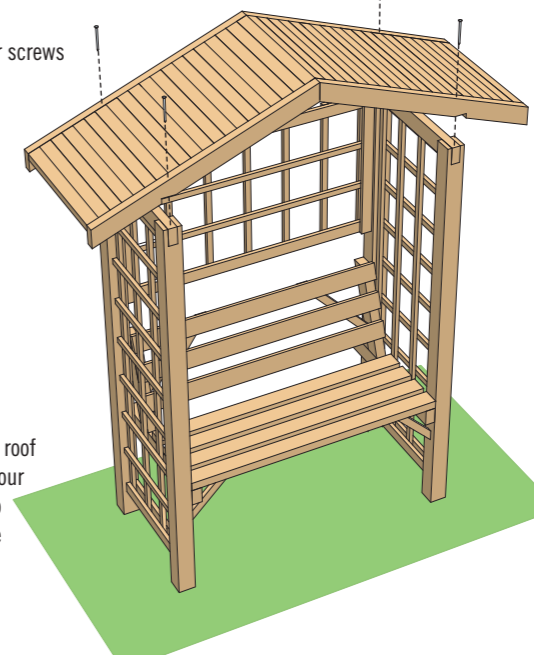


### 5 Assemble the roof. This is usually four screws fixed at the apex of the roof as shown.

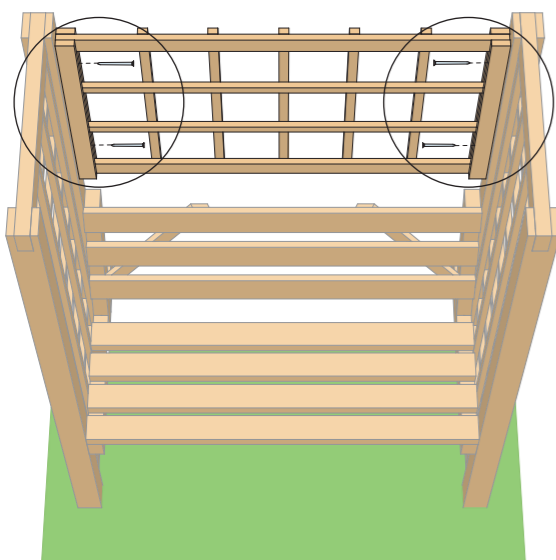


### 6

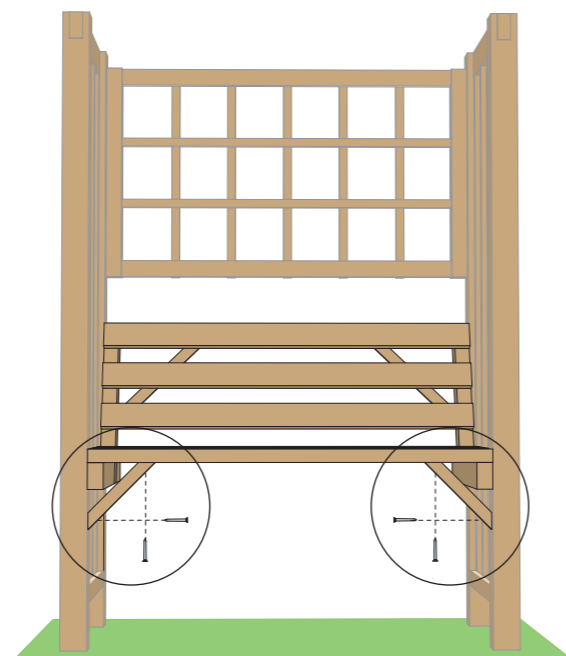
Fit the assembled roof as shown, using four screws driven into the top of the side section posts.



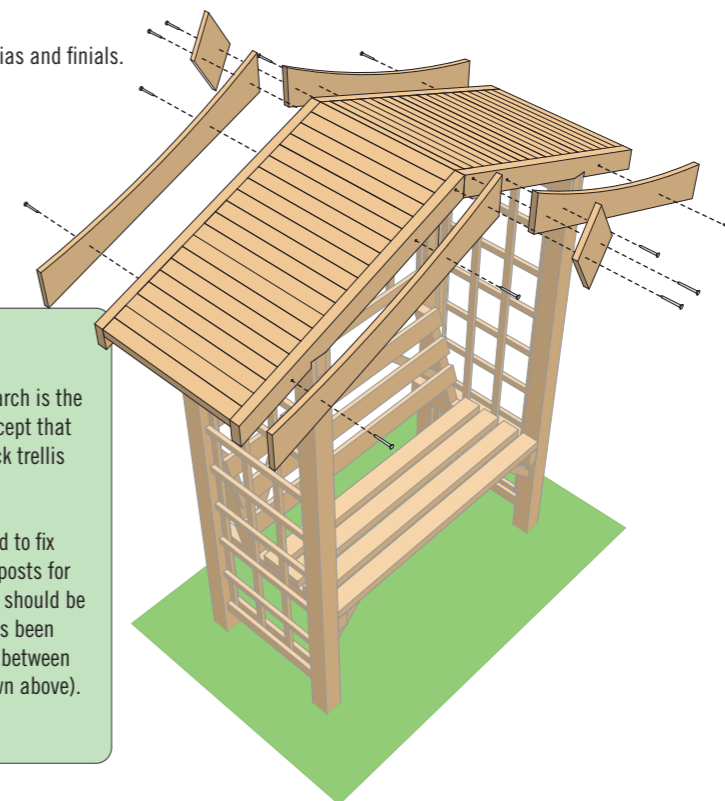
### 3 Once both sides are fixed stand the assembly upright and fix the back trellis panel.



### 4 Ensure the seat is square with the side sections and fix braces.



### 7 Fix the fascias and finials.



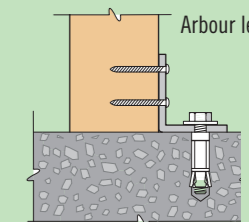
#### Arches

The procedure for an arch is the same as an arbour except that there is no seat or back trellis panel to fit.

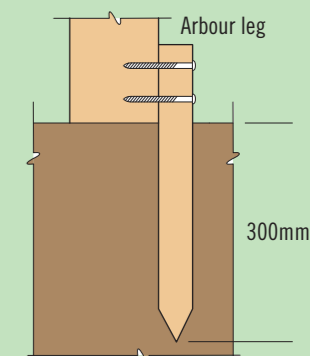
Struts may be supplied to fix between the roof and posts for added stability. These should be fitted once the roof has been fixed to the posts (i.e. between steps 6 and 7 as shown above).

## FIXING TO THE GROUND

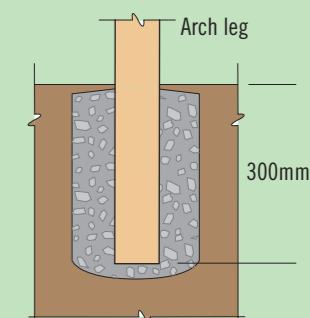
Arbours can be free-standing or fixed to the ground in the following ways:  
For hard surfaces such as concrete use four metal right angle brackets (one for each post), fixed to the ground using anchor bolts.



For a soft surface, timber stakes should be driven into the ground and the legs of the arbour fixed to them.



Arches have longer legs and should be embedded into soft ground. Fix the legs in place using a post-fix product such as MetCrete.



For a solid surface the Arch legs may need to be cut to give a suitable height. To provide stability use metal angle brackets as above or attach the arch to another stable structure such as a fence post or pair of planters.