

ASSEMBLY INSTRUCTIONS

ANNEXE

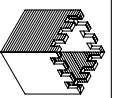
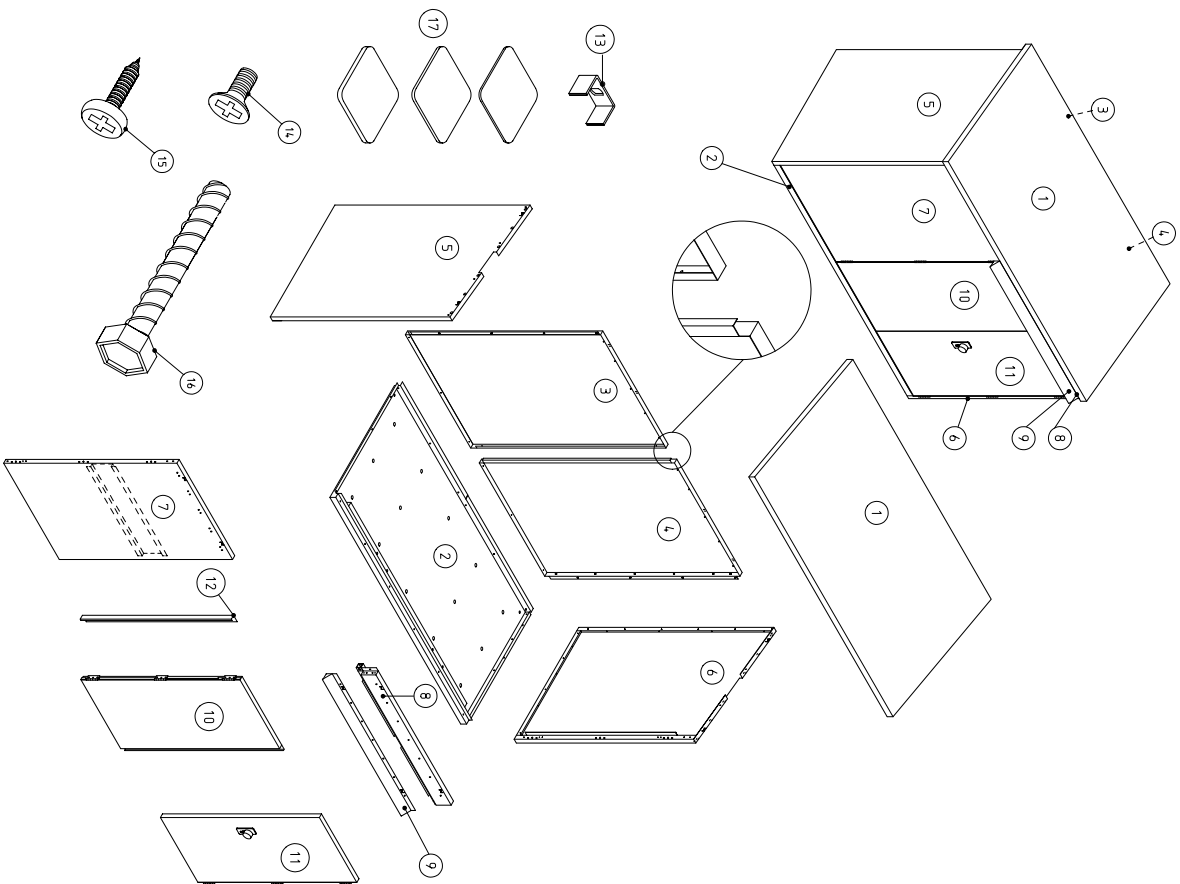
WWW.ASGARDSSS.CO.UK



ASGARD 'ANNEXE'
PACK CONTENTS:

ITEM NO	PART DESCRIPTION	QTY
1	32696 TOP PANEL 1832w x 925h	1
2	32605 BASE PANEL 1783.6w x 871.8h	1
3	32606 LH BACK PANEL 891.8w x 1440h	1
4	32607 RH BACK PANEL 909.6w x 1440h	1
5	32608 LH SIDE PANEL 875w x 1440h	1
6	32609 RH SIDE PANEL 875w x 1440h	1
7	32610 LARGE FRT PANEL 510w x 1300h	1
8	32611 FASCIA 1219.5w x 136h	1
9	32615 RAIN GUARD 1270w x 79.6h	1
10	32612 LH DOOR 635.7w x 1195h	1
11	32613 RH DOOR 603.5w x 1195h	1
12	32614 FRT PNL TRAP PLATE 1140w x 50h	1
13	32670 STOPPER BRKT 31.6w x 15h	12
14	M5-10 COUNTER SUNK MACHINE SCREW, (DOOR FIXING SCREWS) ZSRENE940	18
15	NO 10-5/8 ROD/DRIVE SELF TAPPING SCREW B2P, (ANCHOR ASSEMBLY) ZSRENE940	130
16	M7.5-60 ANCHOR FIXINGS ZSCRE W32	4
17	PACKING PIECES (FOR LEVELING OF UNIT) ZCOPRHS22-23-24	2 at 2mm 2 at 3mm 2 at 5mm

SELF ASSEMBLY INSTRUCTIONS



ASGARD

A N N E X E

PLEASE NOTE THAT FOR SAFETY REASONS THE ASSEMBLY OF THIS SECURE STORAGE UNIT WILL REQUIRE 2 PEOPLE.

PRIOR TO ASSEMBLY

DECIDE WHICH SIDE YOU WISH TO HANG THE DOORS FROM AS THIS DETERMINES THE POSITION OF FRONT PANEL '7' (STEP 5 OF THE ASSEMBLY)

BASE INSTRUCTIONS

A LEVEL, FIRM SURFACE IS REQUIRED AS A BASE FOR THE UNITS. (EG. CONCRETE, FLAGS) . WE RECOMMEND THE USE OF VIBRATED CAST SLABS. AS THESE WILL GIVE A MORE SECURE FASTENING. WHEN USED IN CONJUNCTION WITH THE 4 ANCHOR SCREWS PROVIDED.

- ANNEXE 1790MM*905MM (70.5" *35.5")
- MINIMUM BASE MEASUREMENT:
- 1990MM*1100MM (78.5" *43.5")

TOOLS REQUIRED

- POZIDRIV SCREWDRIVER AND SLOTTED SCREWDRIVER (POKERDRIVER RECOMMENDED)
- 6MM DIAMETER MASONRY DRILL (FOR ANCHOR FIXINGS).
- 13MM SOCKET SPANNER (FOR ANCHOR FIXINGS)

DOOR ALIGNMENT & ANCHORING THE UNIT

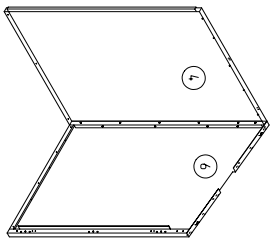
IT IS IMPORTANT TO CORRECTLY LEVEL THE UNIT USING THE PACKING PIECES PROVIDED. ONCE ASSEMBLY IN ACCORDANCE WITH THE INSTRUCTIONS OVERLEAF IS COMPLETE AND PRIOR TO FIXING THE UNIT TO THE GROUND.

- SLIDE THE PACKING PIECES UNDER THE CORNERS OF THE UNIT'S BASE AS REQUIRED UNTIL AN EQUAL GAP HAS BEEN ACHIEVED AROUND THE DOORS. (THIS SHOULD GIVE THEIR SMOOTH OPERATION)

- REMOVE THE RUBBER BASE GROMMETS TO EXPOSE THE FIXING HOLES. DRILL THROUGH USING 6MM DIAMETER MASONRY DRILL TO A MINIMUM DEPTH OF 70MM. SCREW IN THE ANCHOR FIXINGS. (THESE HAVE A SELF CUTTING THREAD AND SCREW DIRECTLY INTO THE CONCRETE OR FLAGGED BASE)

PLEASE SEE OUR WEBSITE FOR DETAILS OF MAINTENANCE INSTRUCTIONS FOR THIS PRODUCT - WWW.ASGARDSS.CO.UK

STEP 1

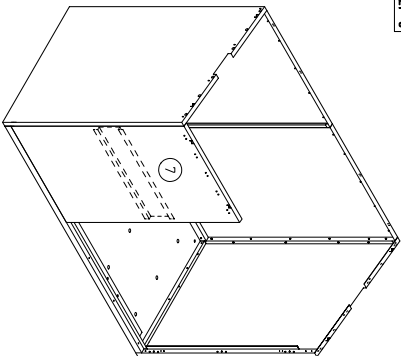


PARTS REQUIRED **I N S T R U C T I O N**

RH SIDE PANEL (4)
RH BACK PANEL (6)
Whilst one person holds the panels in place the other should screw the panels together.



STEP 5



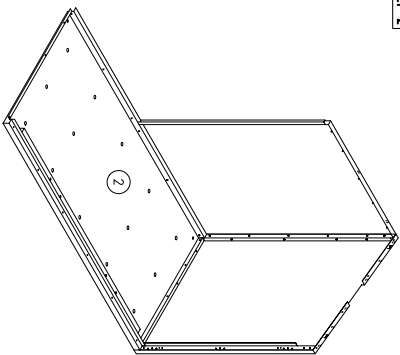
PARTS REQUIRED **I N S T R U C T I O N**

FRONT PANEL (7)
At this stage it is important to determine on which side you wish to hang the doors from. If you require the doors to be fitted on the RH side of the unit then fit the front panel on the LH side (as shown). If you wish to fit the doors on the LH side of the unit then fit the front panel to the RH side of the unit.



Position front panel (7) as shown (at desired side of unit).
Screw to side and base panel.

STEP 2

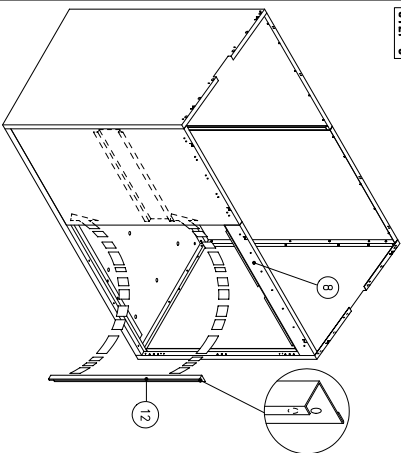


PARTS REQUIRED **I N S T R U C T I O N**

BASE PANEL (2)
Place the base panel (2) on the floor as shown. Position the fixed back and side panels up to the base panel, ensuring the side panel is flush with the front of the base panel. screw together.



STEP 6

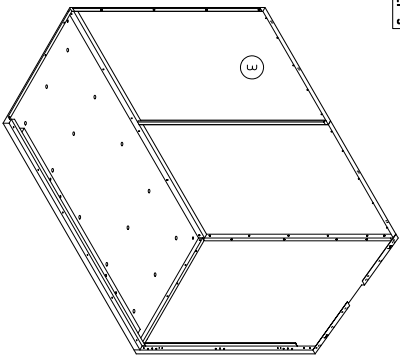


PARTS REQUIRED **I N S T R U C T I O N**

FASCIA (8)
FRONT TRAP PLATE (12)
Attach fascia panel (8) across the front of the unit as shown. screw to front panel and side panel (requires 8 screws)
From inside the unit attach the front trap plate (12) down the full length of the front panel. (requires 7 screws)



STEP 3

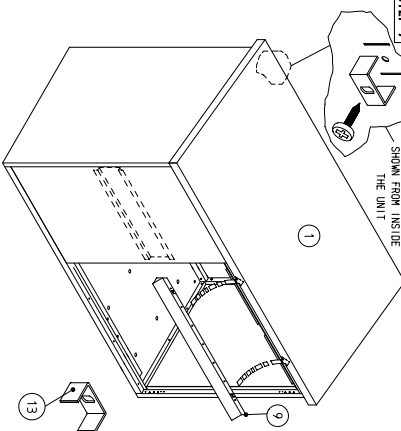


PARTS REQUIRED **I N S T R U C T I O N**

LH BACK PANEL (3)
Locate LH back panel (3) into base and LH back panel as shown.
Screw together down full length of vertical joint and across the base.



STEP 7

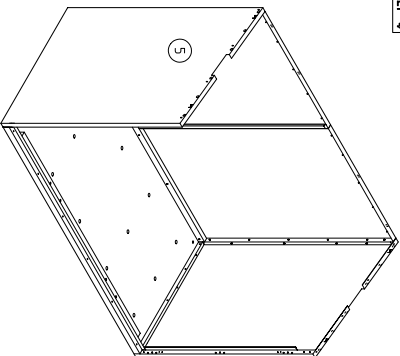


PARTS REQUIRED **I N S T R U C T I O N**

TOP PANEL (1)
RAIN GUARD (9)
STOPPER BRACKET (13)
Lift top panel (1) onto unit, over the outer panels and fascia, ensuring that the eSgard StronGrid badge is on the front RH side and the ventilation slide the rain-guard (9) under the top panel, over the fascia, centralise (1), and screw through the fascia and into the top (from inside the unit).
Having positioned the top and fitted the fascia (1), the stopper brackets (13) to the inside of the unit. These brackets locate into the pairs of slots on the top of each of the panels with the lugs on them pointing outwards and are each fixed with a single screw. (finally fit the remaining top panel screws)



STEP 4

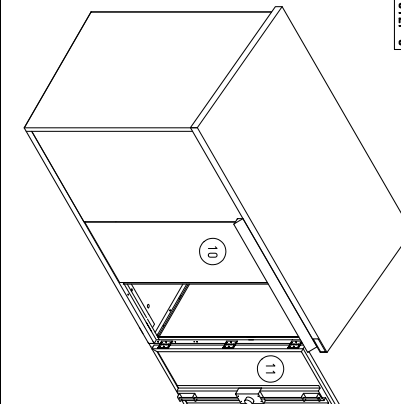


PARTS REQUIRED **I N S T R U C T I O N**

LH SIDE PANEL (5)
Position LH side (5) to LH back panel and base as indicated, ensuring the side panel is flush with the front of the base panel. screw together.



STEP 8



PARTS REQUIRED **I N S T R U C T I O N**

RH DOOR (11)
LH DOOR (10)
WE ADVISE THAT YOU USE HAND HELD DRIVERS RATHER THAN POWER DRIVERS WHEN FIXING THE DOORS. IT IS IMPORTANT TO SUPPORT THE DOORS AT ALL TIMES whilst fitting the screws. TO ENSURE CORRECT ALIGNMENT. Position LH door (10) (non locking door) so that hinges are all lined with fixing holes screw in position. (LH door shown in position)
Position RH door (11) (locking door) so that hinges are all lined with fixing holes. screw in position.

