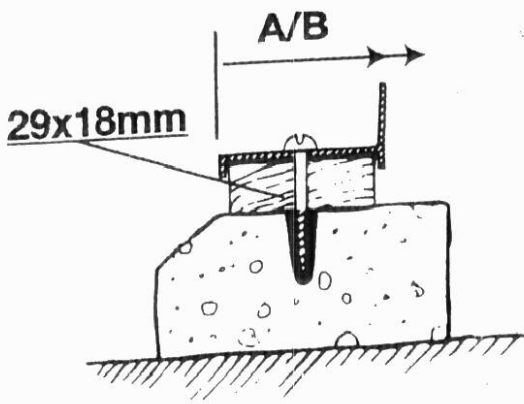
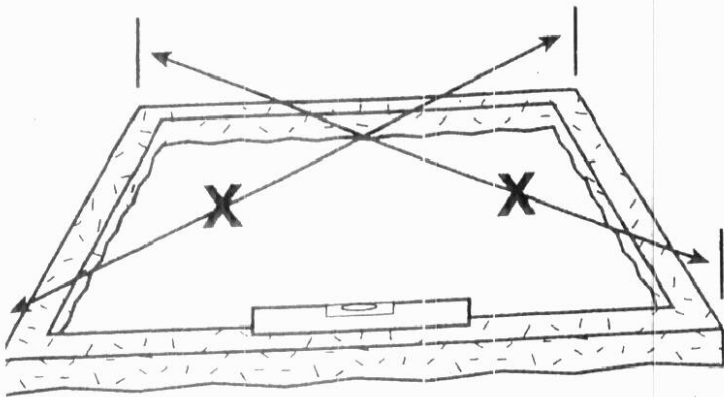
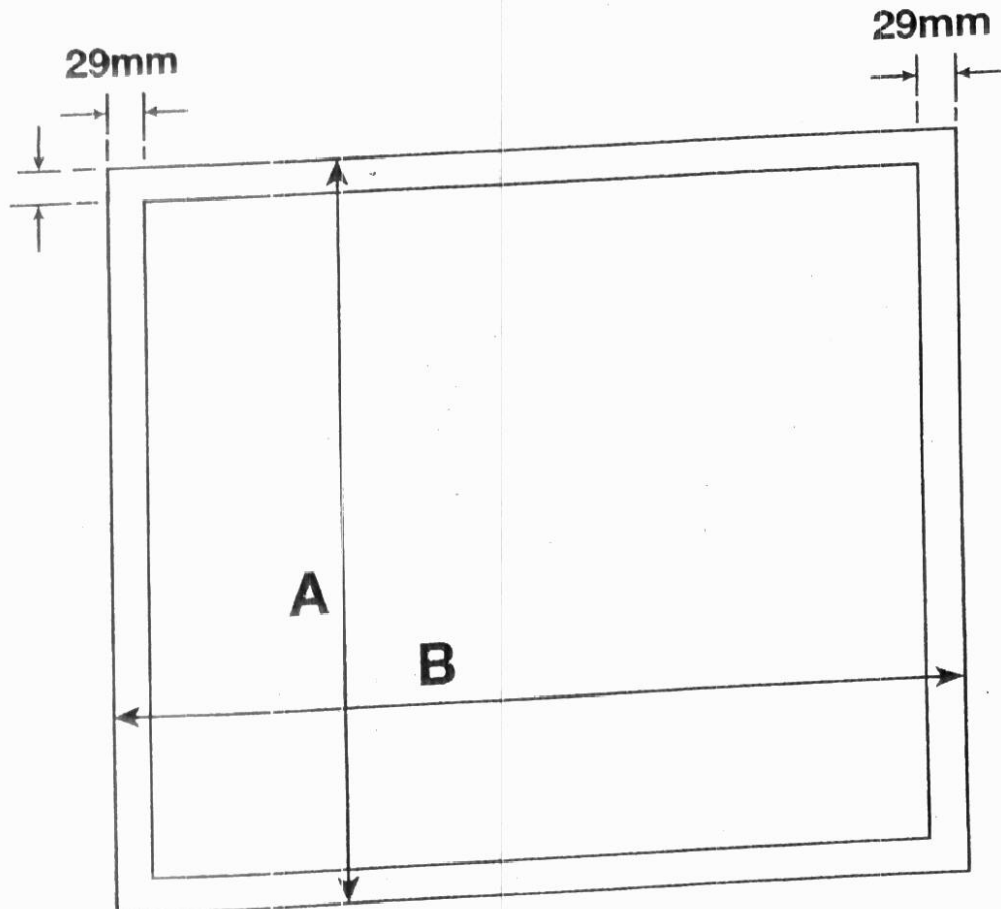


A



X = X



	88	108	128	148
A	2560mm	2560mm	2560mm	2560mm
B	2560mm	3182mm	3804mm	4426mm