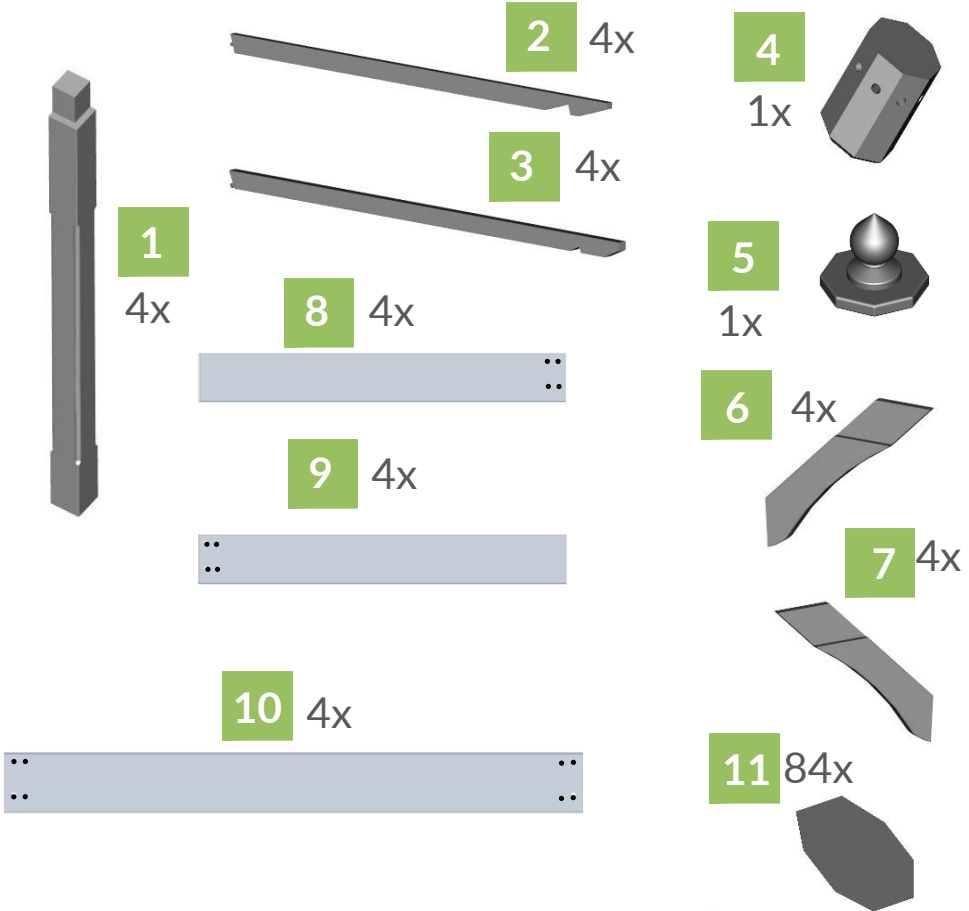




Cotswold Canopy
with floor* and balustrade**

PRODUCT: C42170, C42171*, C42172**

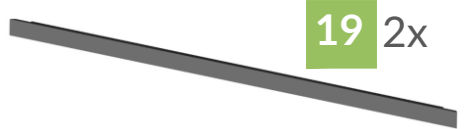
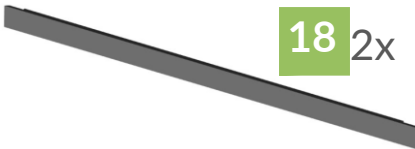
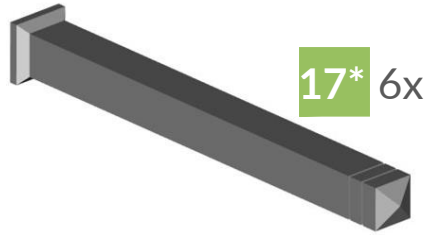
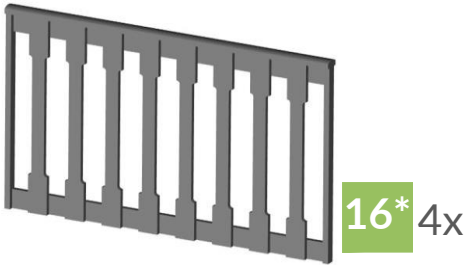
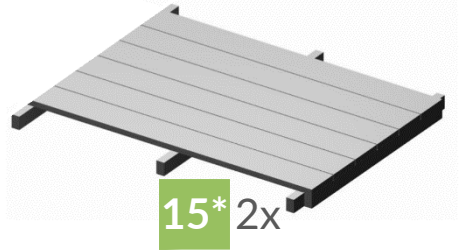
PARTS



EQUIPMENT



PARTS

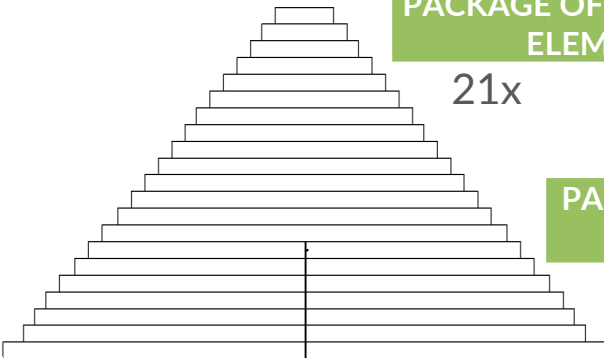


PACKAGE OF EACH ROOF ELEMENT

21x

PACKAGE OF TILLED ELEMENTS

104x



FITTINGS

A 16x  6x160 mm

B 8x  8x80 mm

C 12x  5x90 mm

D 36x*  4,5x60 mm

With floor elements

48x**  4,5x60 mm

With balustrade elements

F 640x  2,8x15 mm

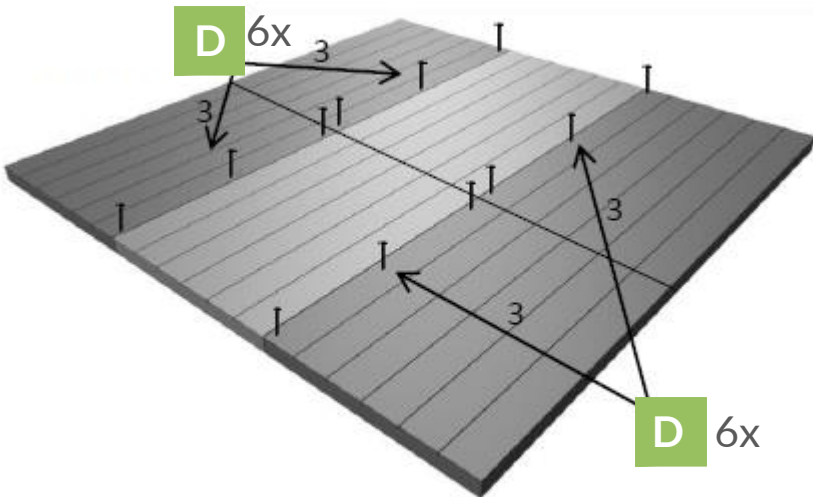
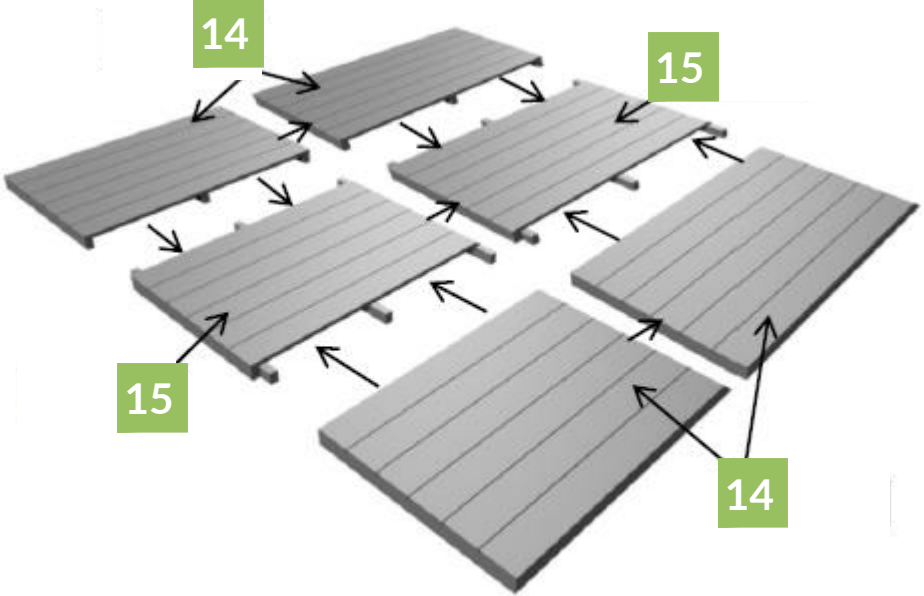
G 168x  3x25 mm

H 224x  2x40 mm

I 32x  M8

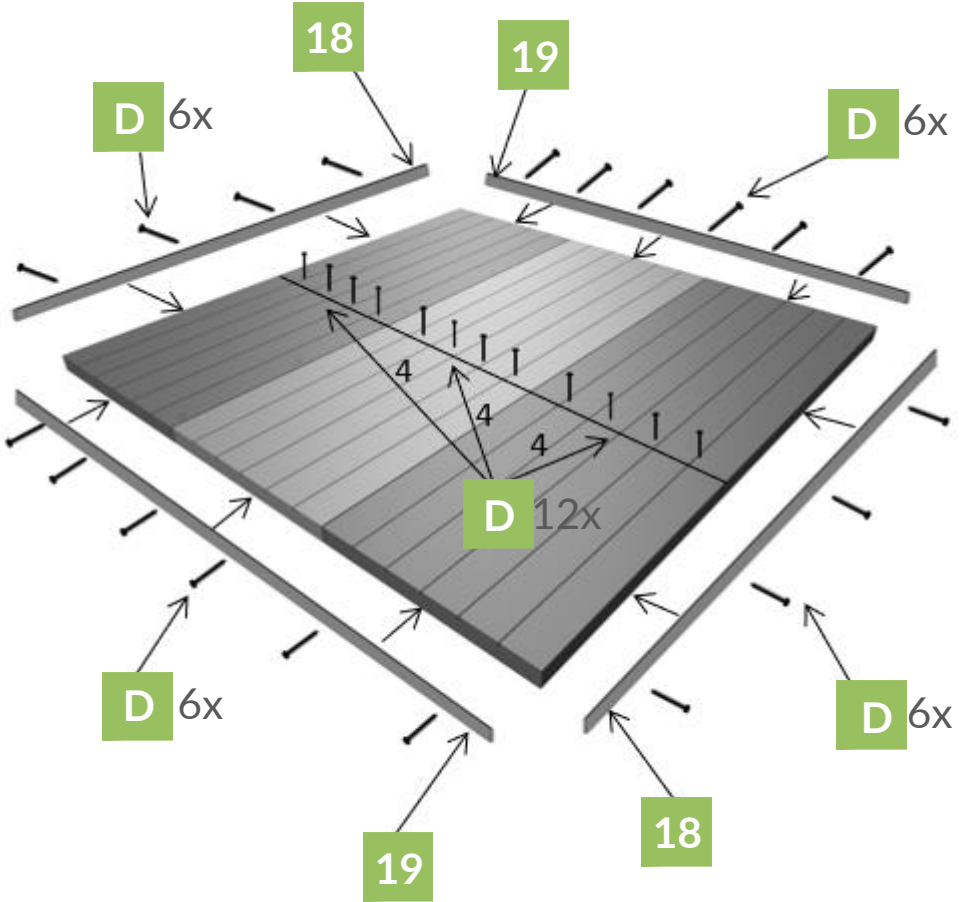
J 32x  8x55 mm

STEP 1*



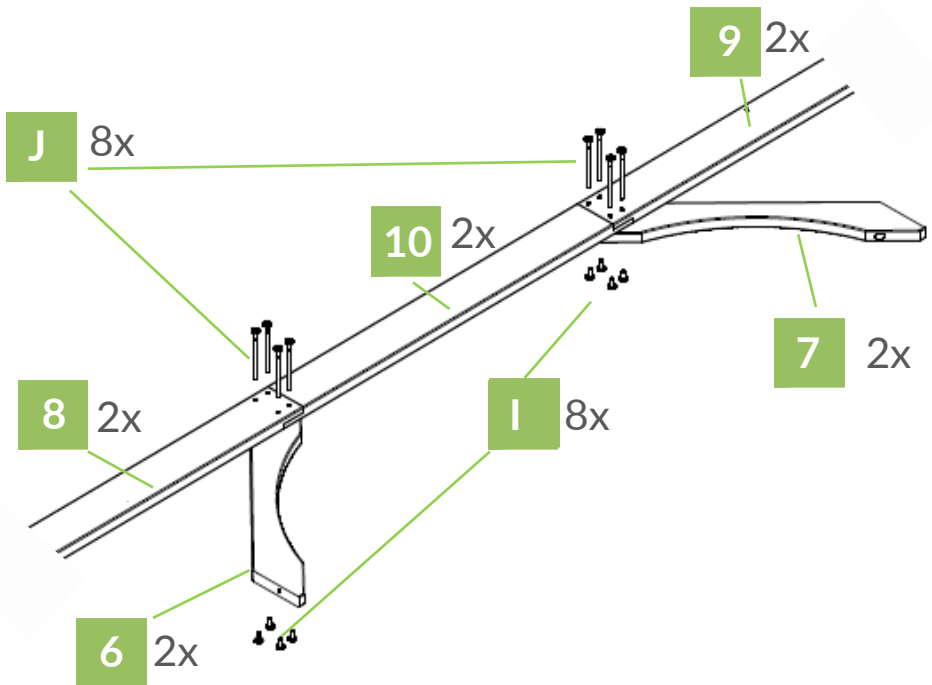
GROUND MUST BE FLAT

STEP 2*



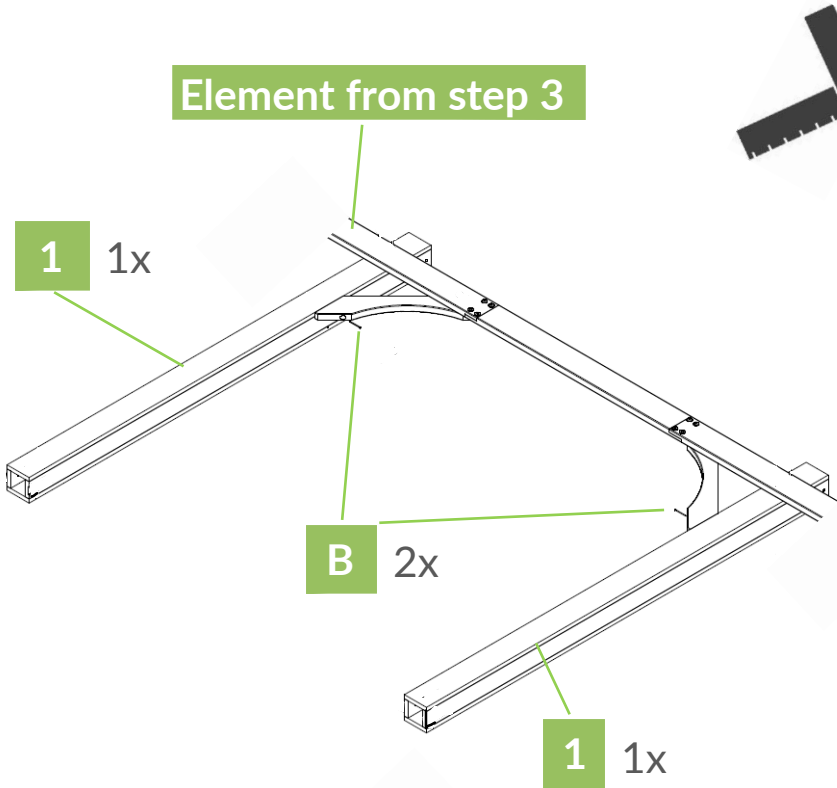
STEP 3

Keep 90* angle
between 8&9
and 6&7



Repeat this step two
times

STEP 4

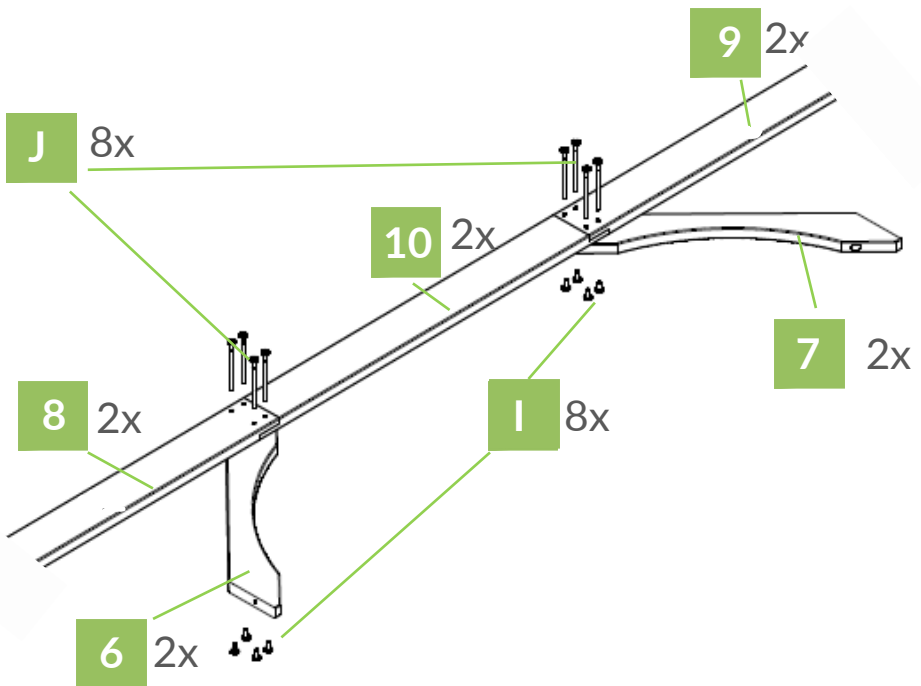


Keep 90* angle
between 1 and
element from step 3

Repeat this step two
times

STEP 5

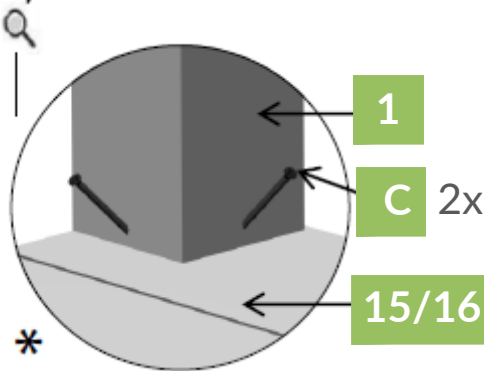
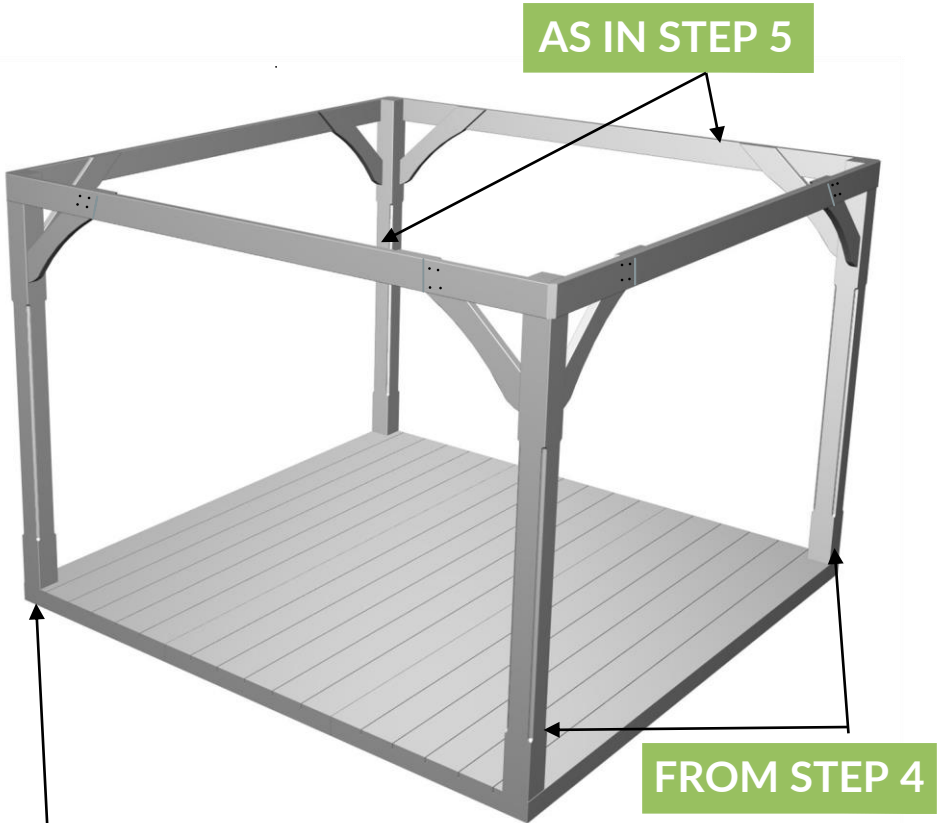
Keep 90* angle
between 8&9
and 6&7



Repeat this step two
times

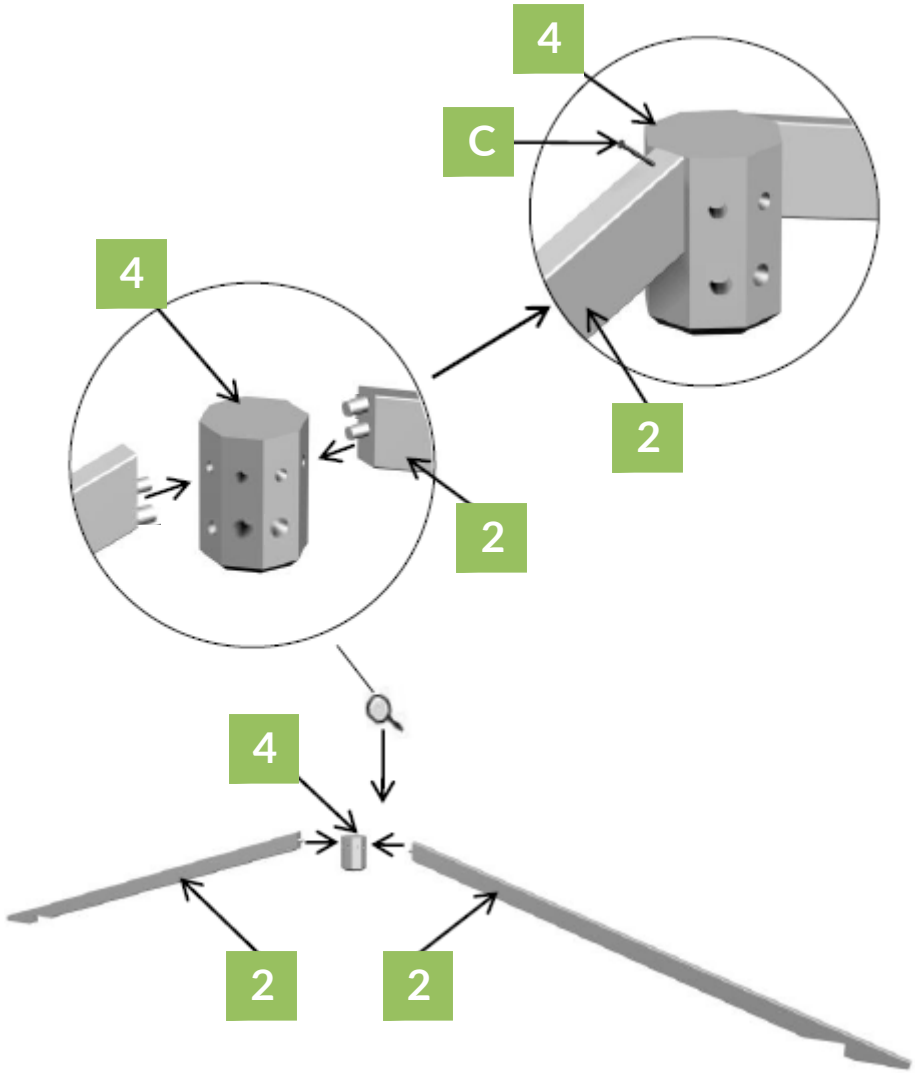


STEP 6

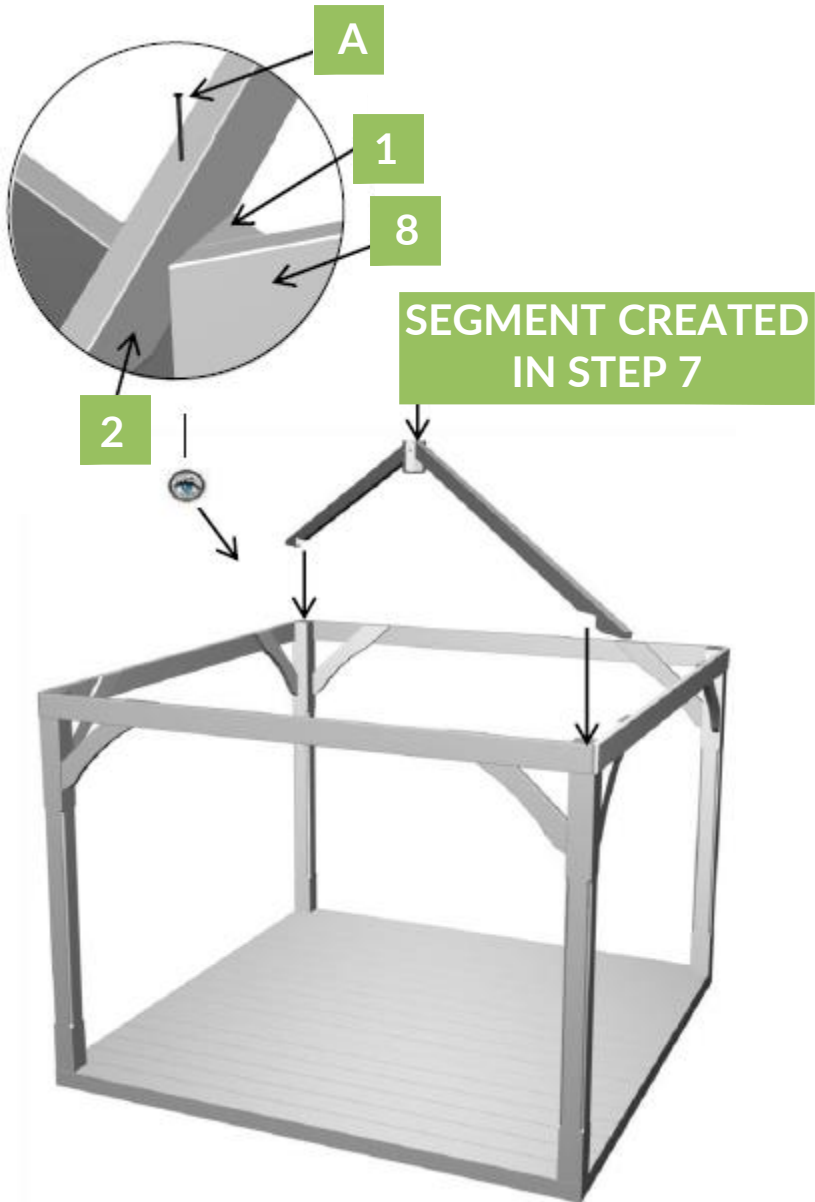


REPEAT AT
EVERY CORNER

STEP 7



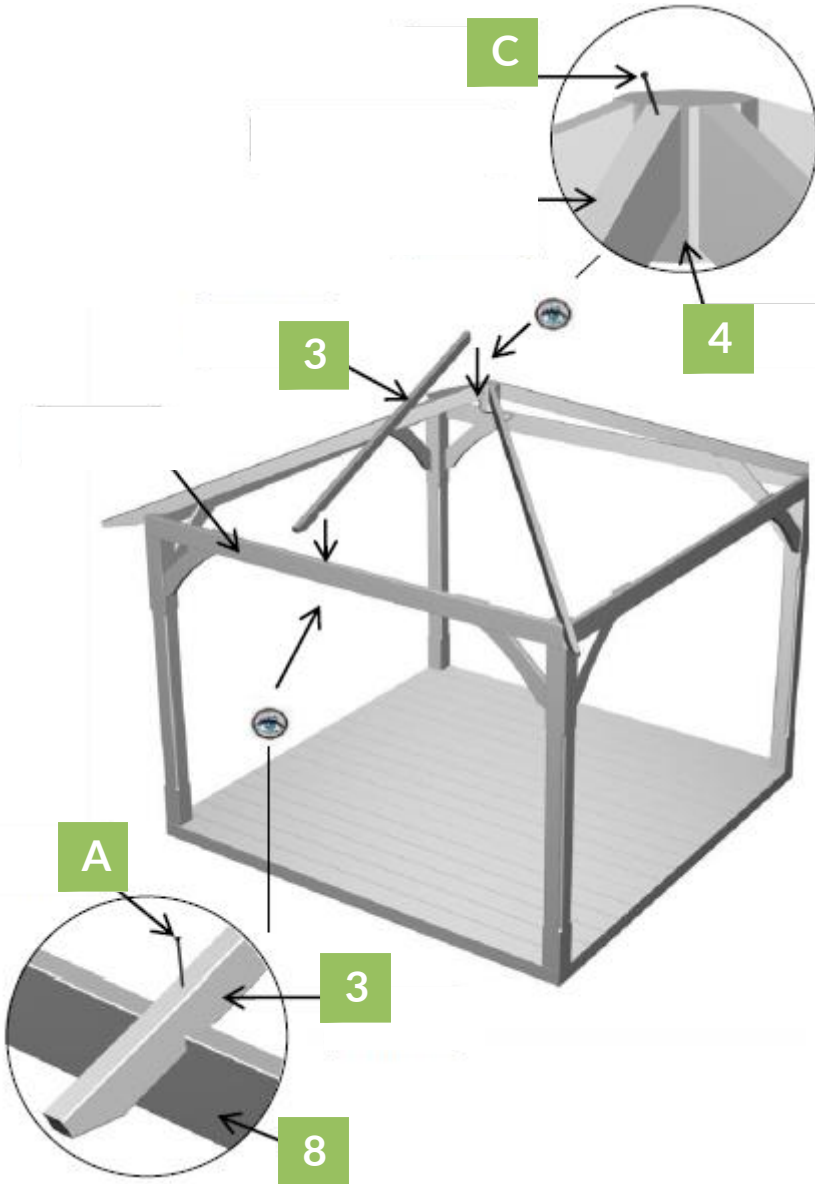
STEP 8



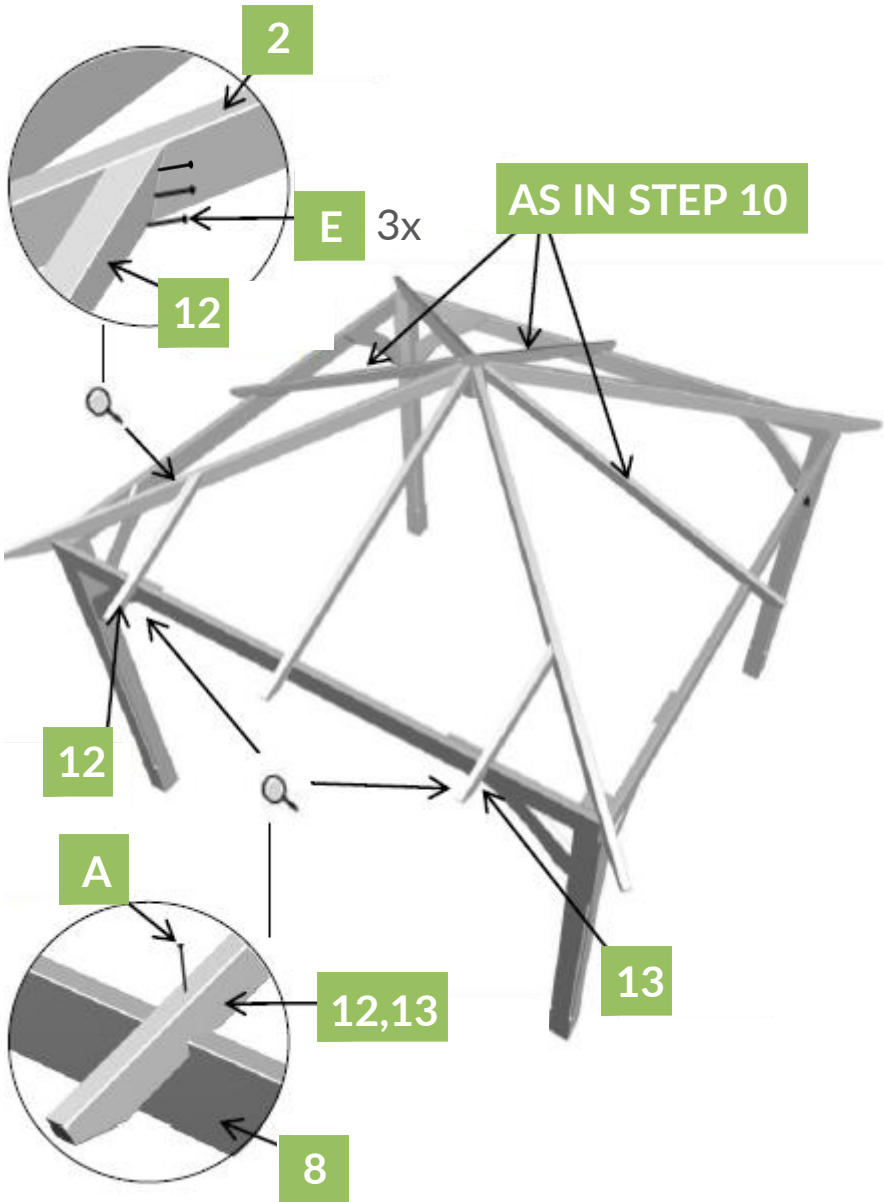
STEP 9



STEP 10



STEP 11



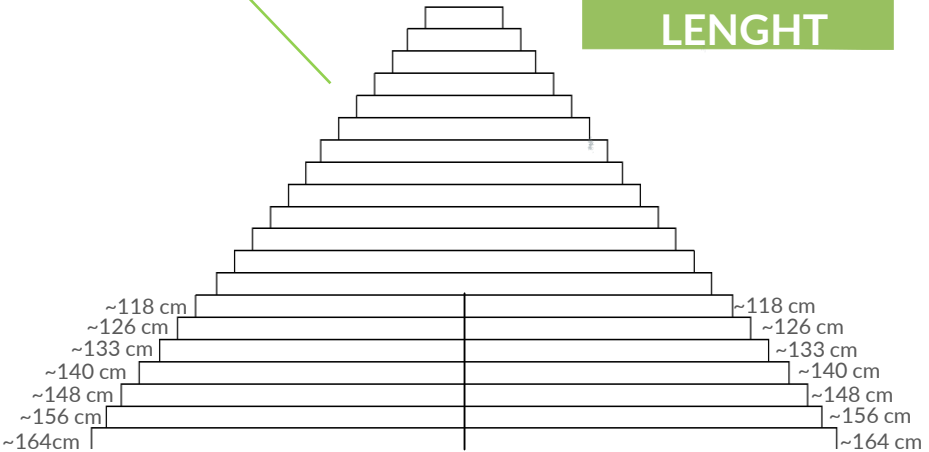
STEP 12

**TAKE ONE ITEM
FROM EACH
PACKAGE OF ROOF
ELEMENTS**



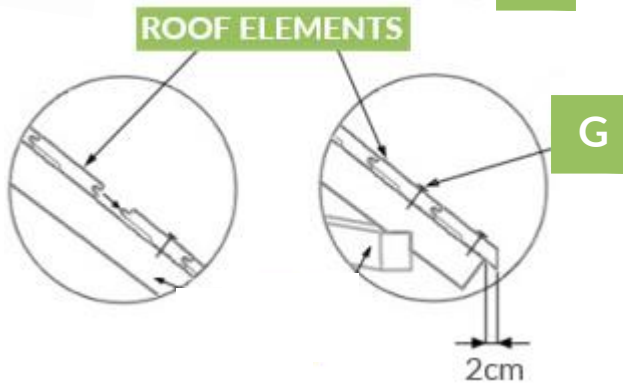
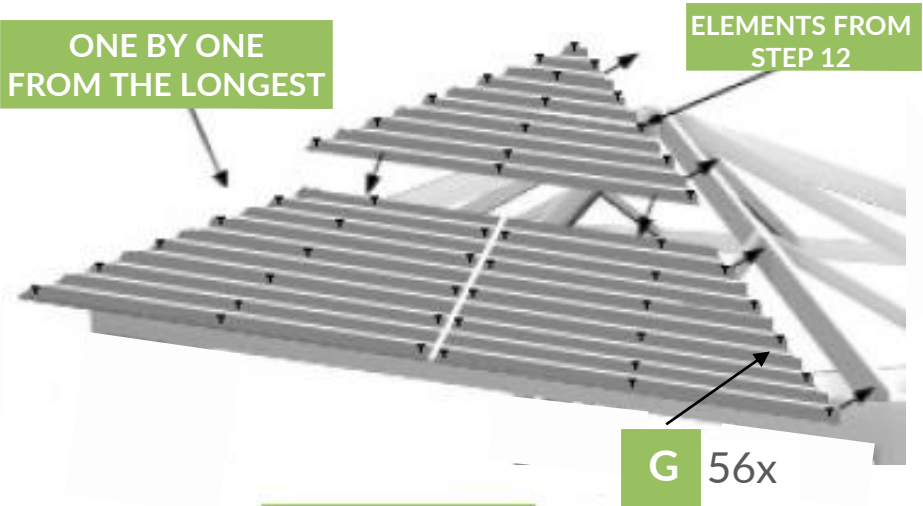
21 ELEMENTS

**SORT ROOF
ELEMENTS BY
LENGHT**



REPEAT STEP - 4 TIMES

STEP 13



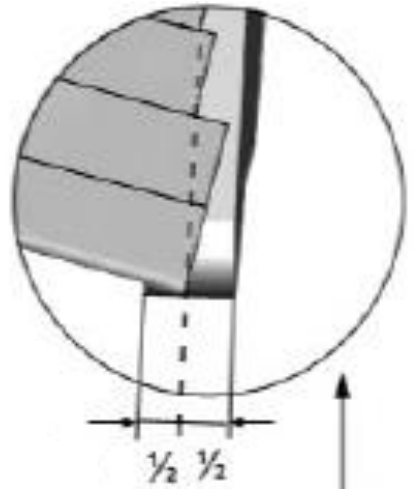
REPEAT STEP - 4 TIMES

STEP 14

set circular saw on 16mm
and use to cut the roof

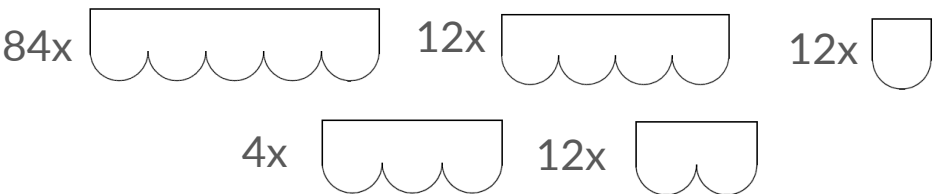
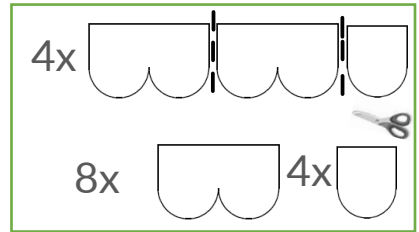
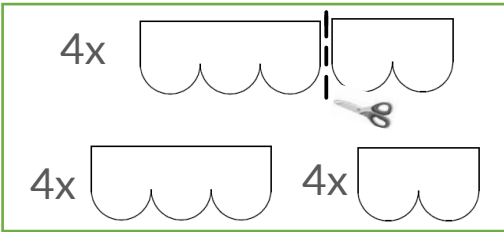
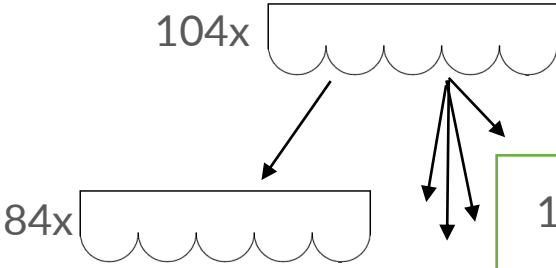


draw a cutting line



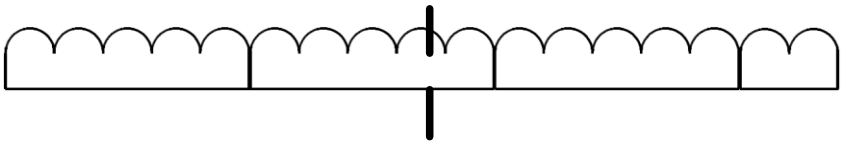
STEP 15

PREPARE TILED ELEMENTS FOR ROOF



STEP 16

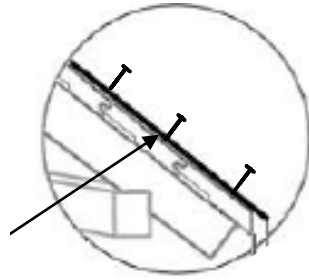
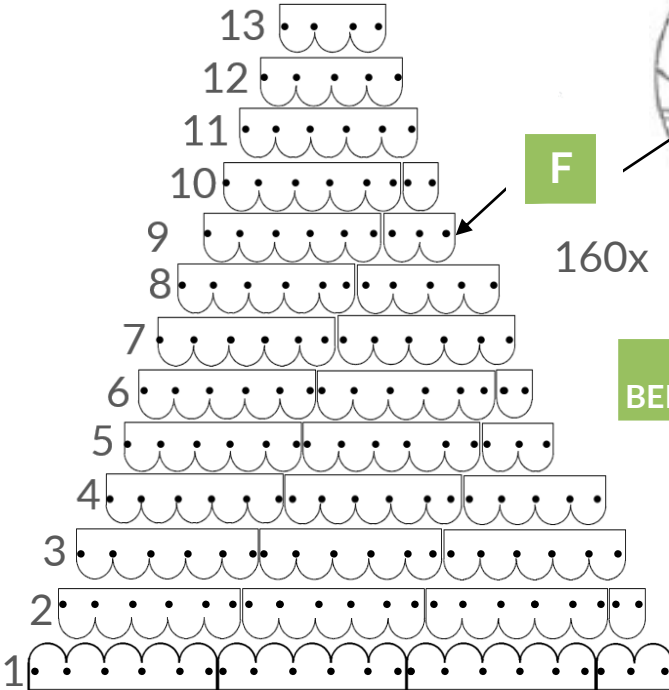
FIRST ELEMENT MONTAGE OPPOSITE AND DRAW AXIS IN THE MIDDLE



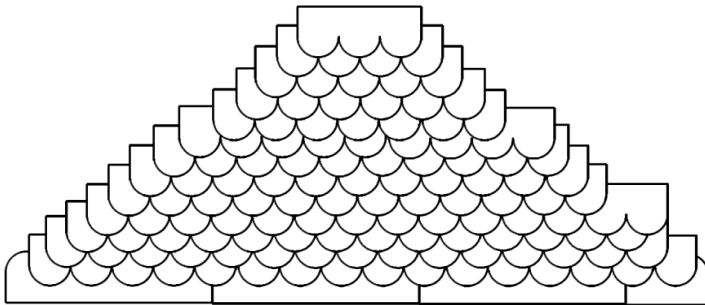
AXIS WILL HELP IN MONTAGE OF
TILL ELEMENTS
DRAW AXIS ON EACH NEXT ELEMENT

STEP 17

MONTAGE FROM 1 TO 13

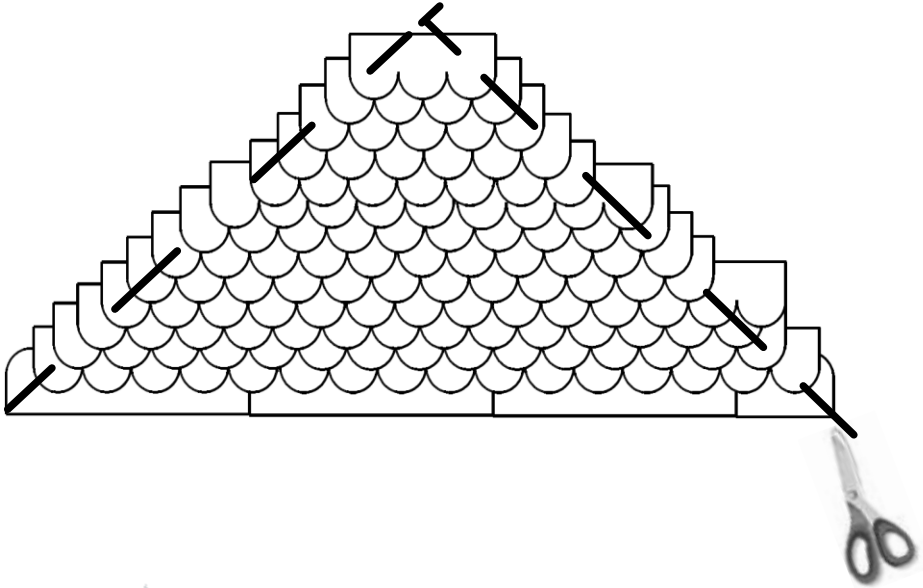


REMOVE FOIL BEFORE INSTALLATION



REPEAT STEP - 4 TIMES

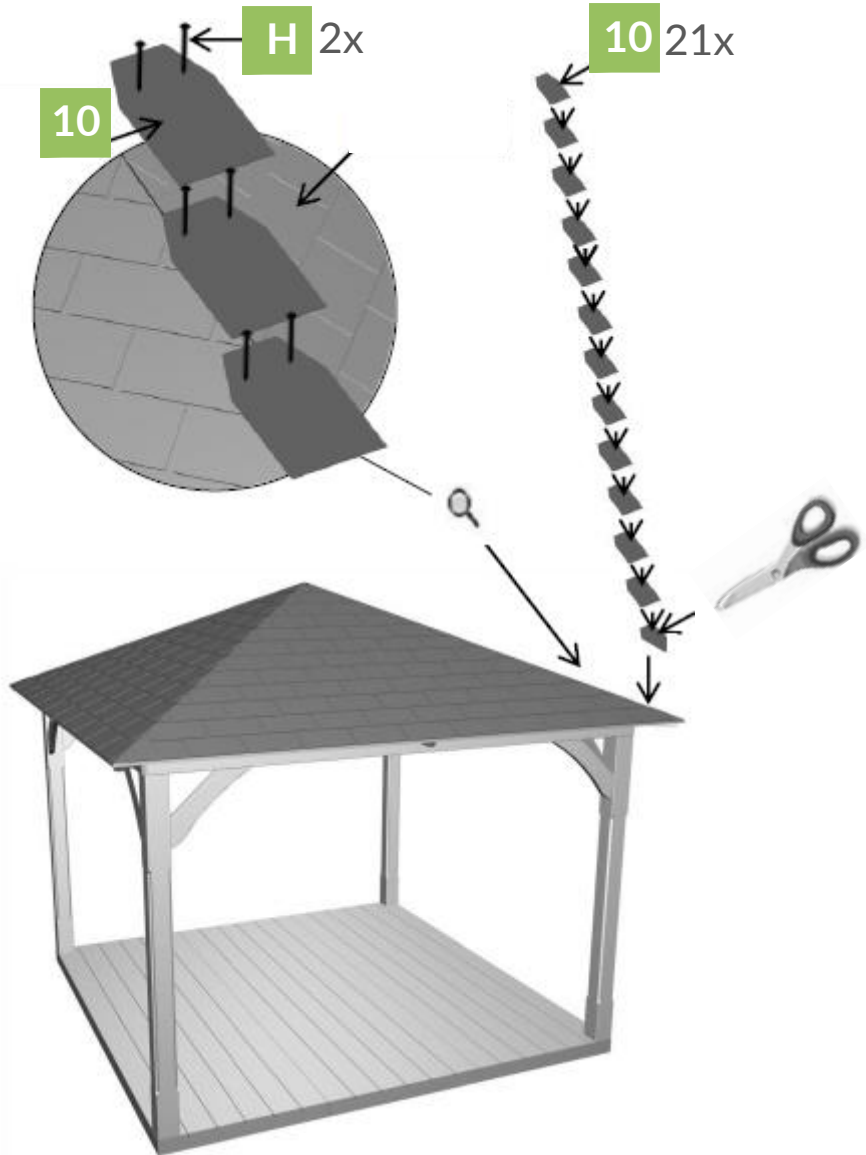
STEP 18



**CUT THE SCHINGLES TO
THE SHAPE OF THE ROOF
(ALONG THE JOINING
LINES OF THE SEGMENTS)**

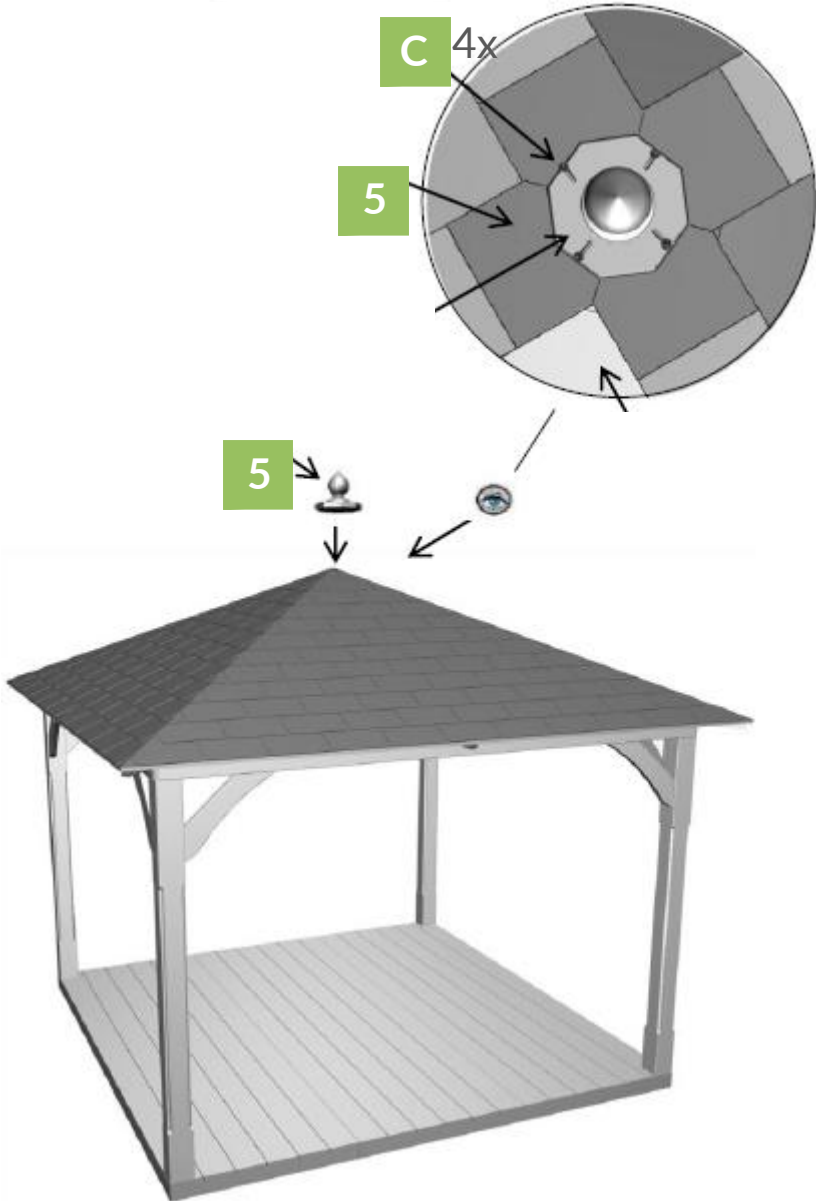
REPEAT STEP - 4 TIMES

STEP 19

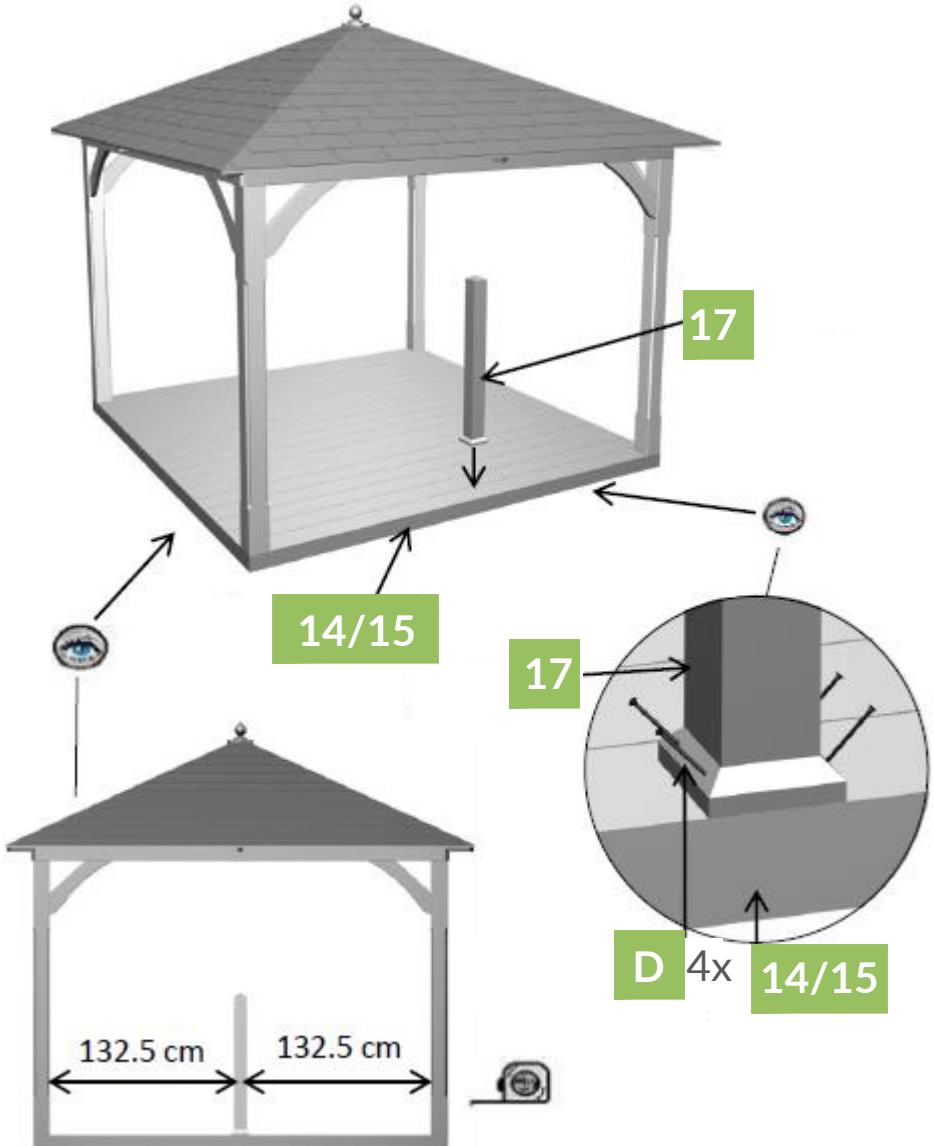


REPEAT STEP - 4 TIMES

STEP 20

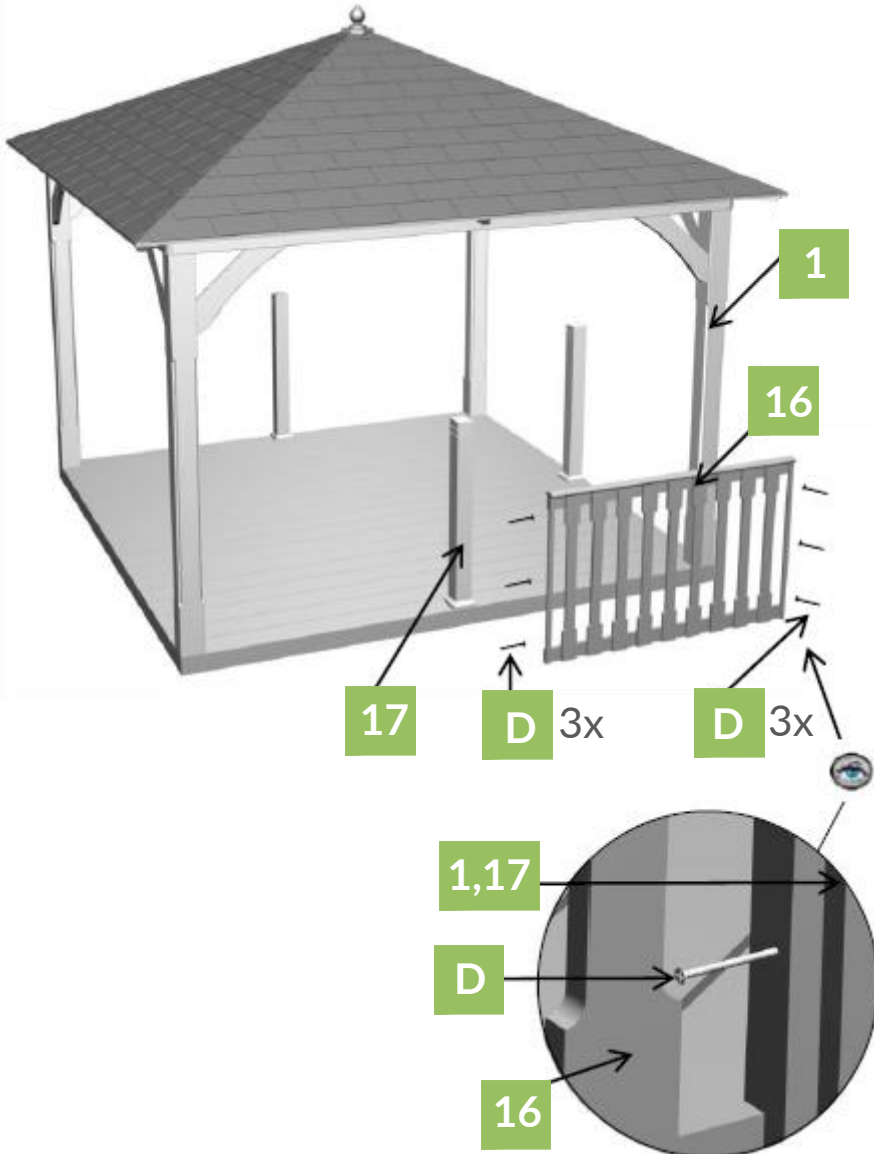


STEP 21**



REPEAT STEP - 3 TIMES

STEP 22**



REPEAT STEP - 6 TIMES