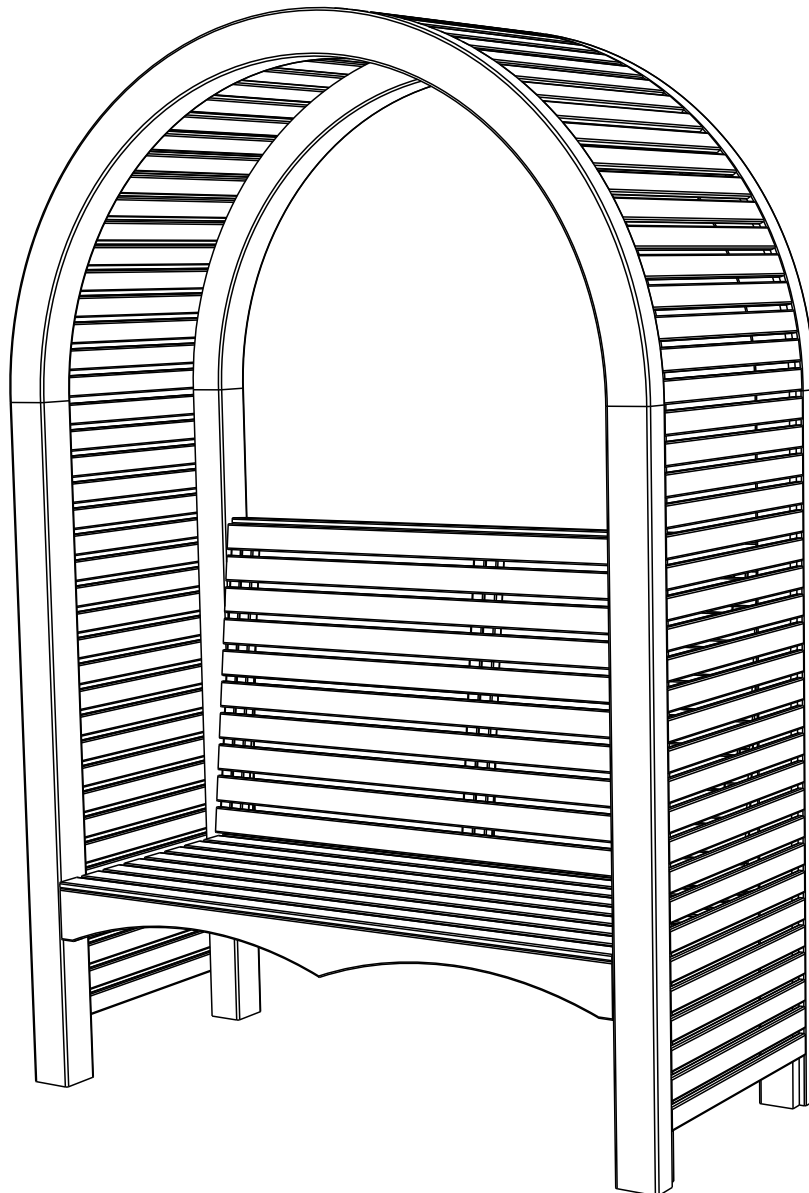


CONTEMPORARY ARBOUR

CONTARB 220cm [H] x 150cm [W] x 70cm [D]

222308B002MMBZ01C1



BEFORE YOU START

Check the pack/s and make sure that you have all of the parts listed below.

If not, contact your retailer who will be able to help you.

When you are ready to start make sure you have the right tools to hand, plenty of space with a clean and dry area for assembly.

It is advisable for two people to carry out the work.

Where the wood is screwed we advise to pre-drill the holes (the diameter of the holes should be 2mm smaller than the diameter of the used screw)

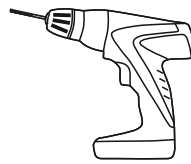
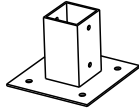
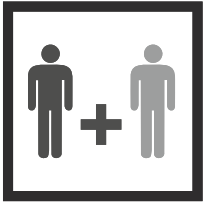
HEALTH AND SAFETY

Do not lean or stand on the roof assembly at any time - the structure is not of a load bearing design.

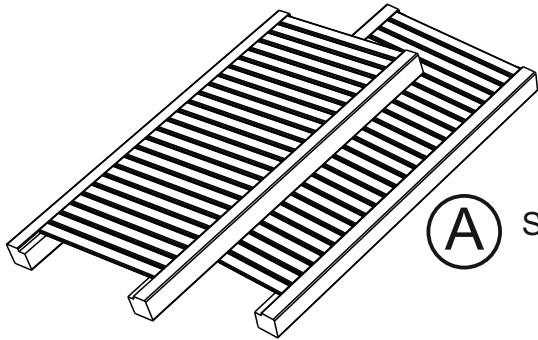
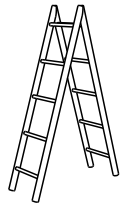
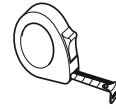
Do not overreach when working from the step ladder

In order to reduce the risk of suffocation please keep all plastic bags and small parts away from children.

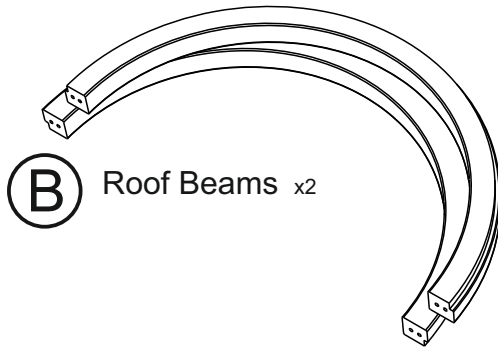
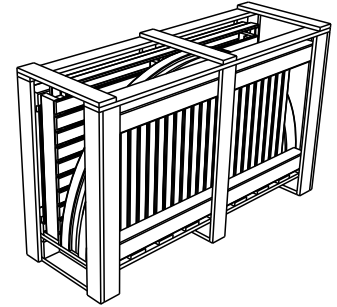
Recommended tools (not included)



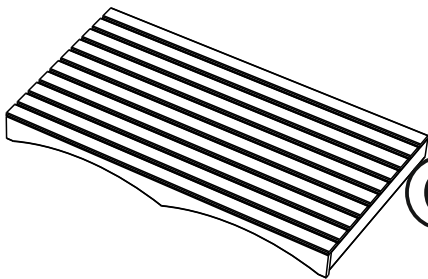
drill or screwdriver



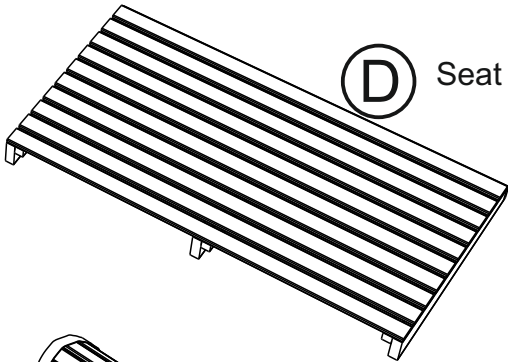
(A) Side Panels x2



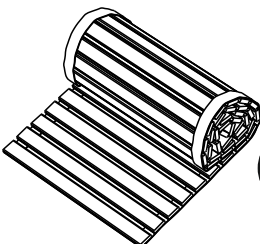
(B) Roof Beams x2



(C) Arbour Seat x1



(D) Seat Back x1



(E) Roof Slats x1

Hardware pack

[w]



Screws
10 cm
x4

[x]



Screws
7,0 cm
x20

[y]



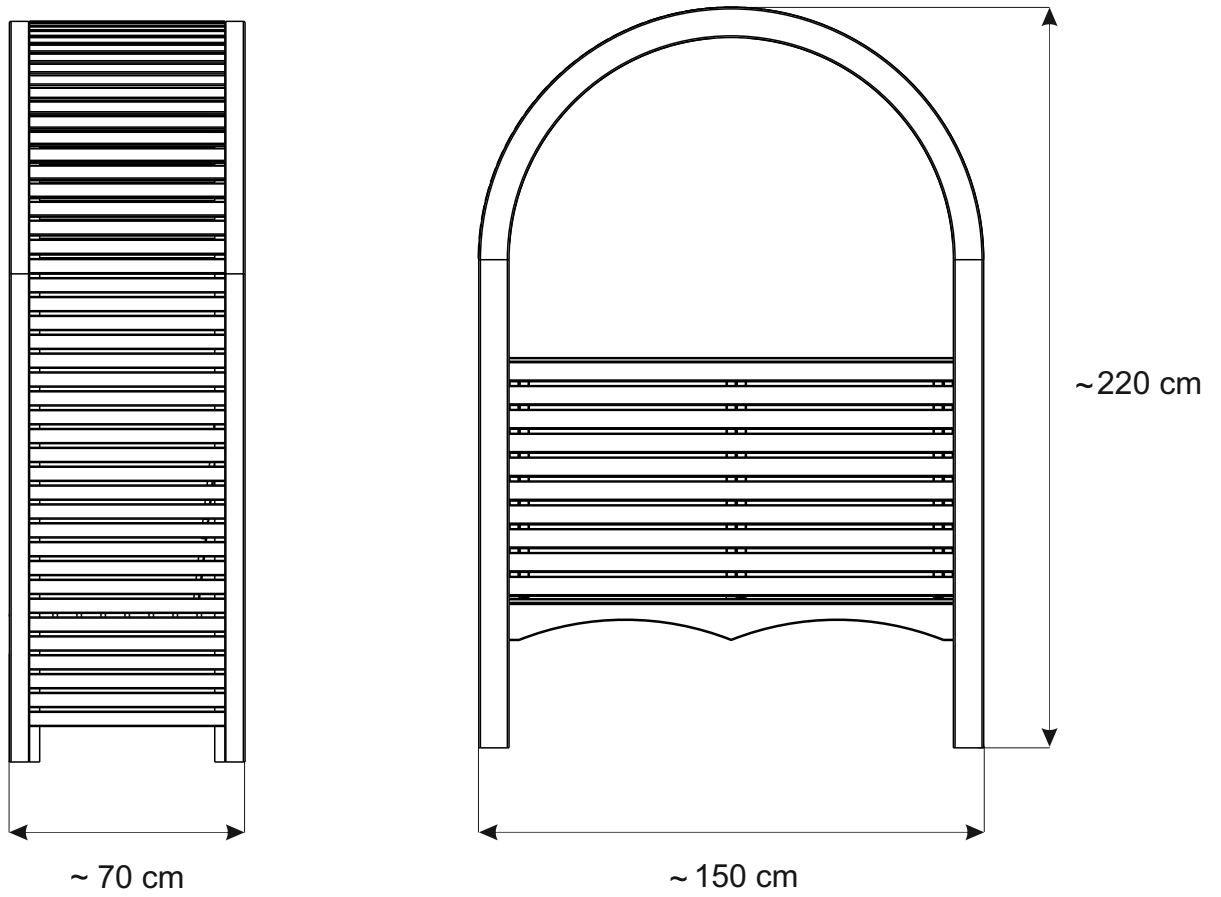
Screws
3,5 cm
x82

[v]



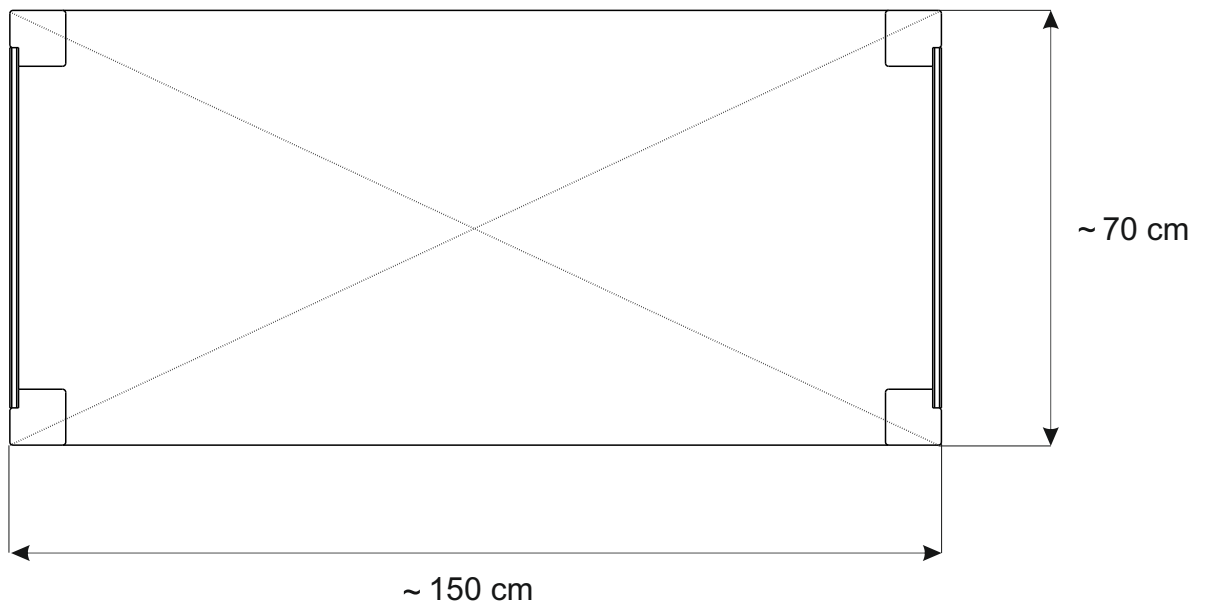
Wooden Dowels
x8

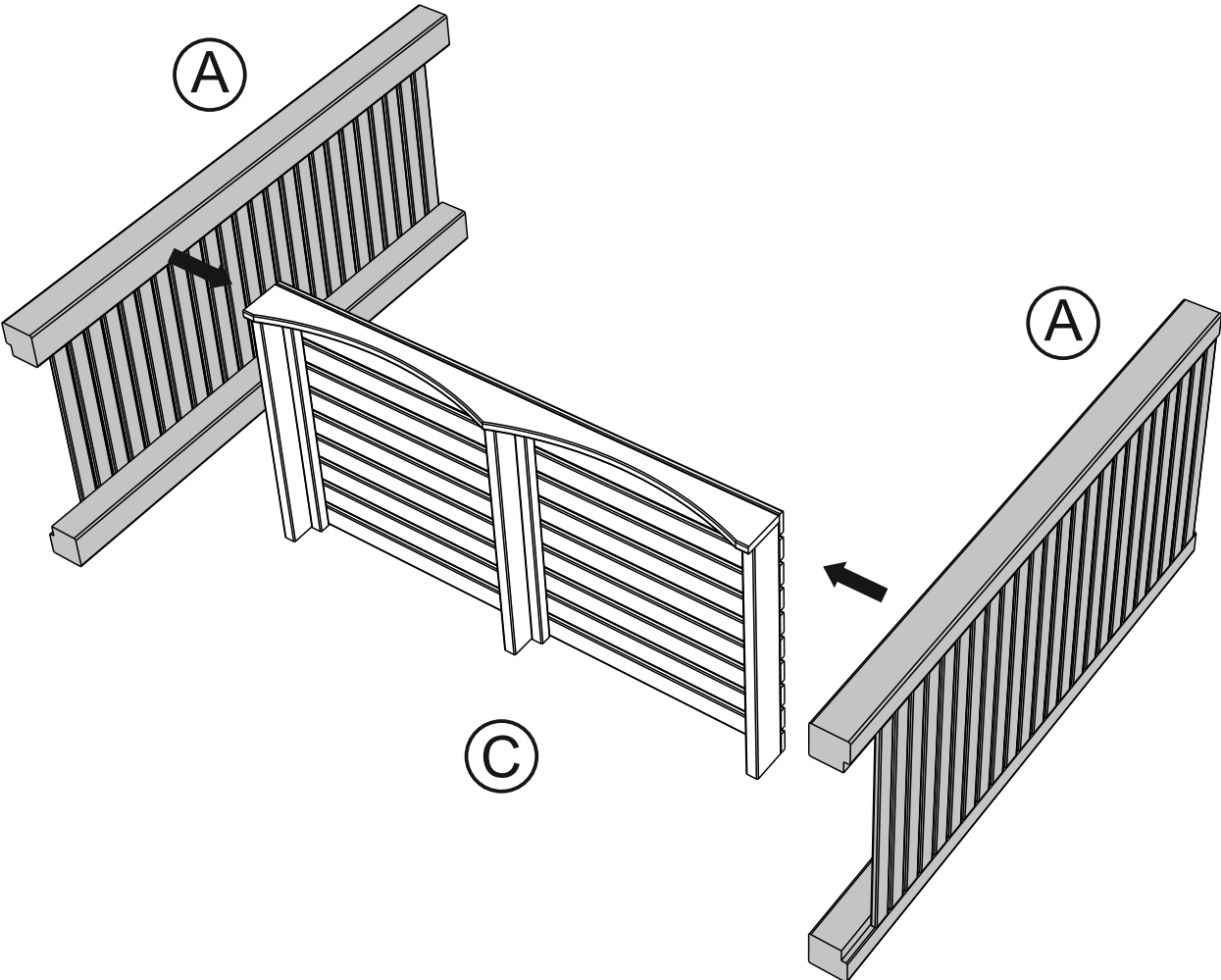
PLAN

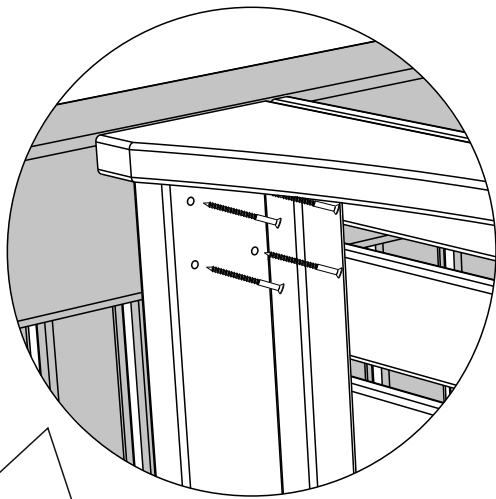
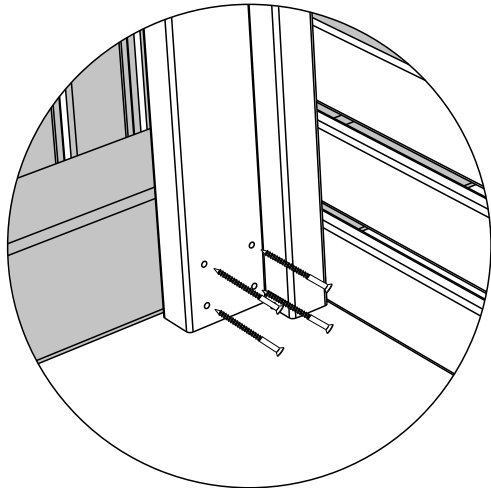
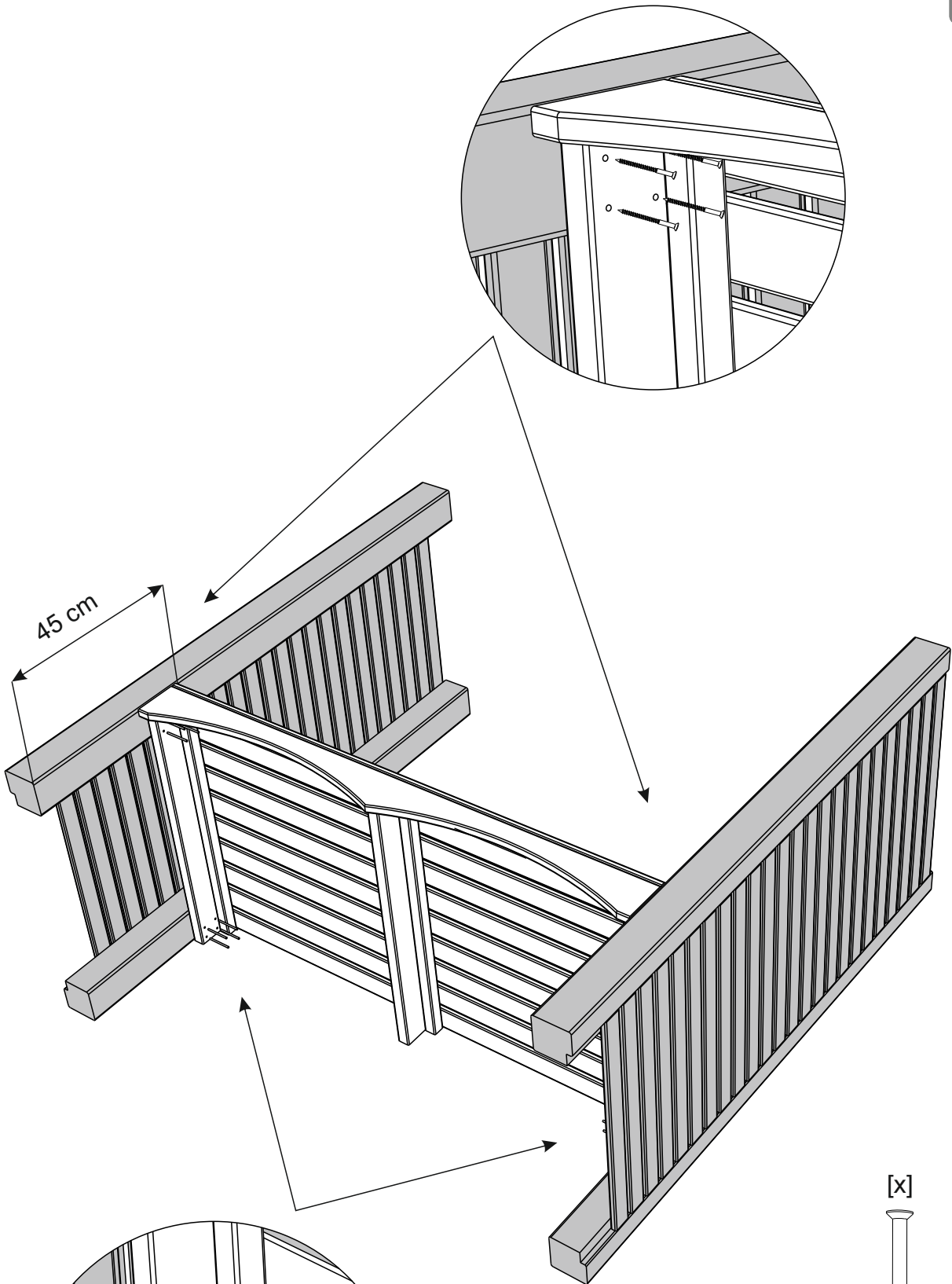


FOOTPRINT

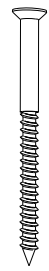
1





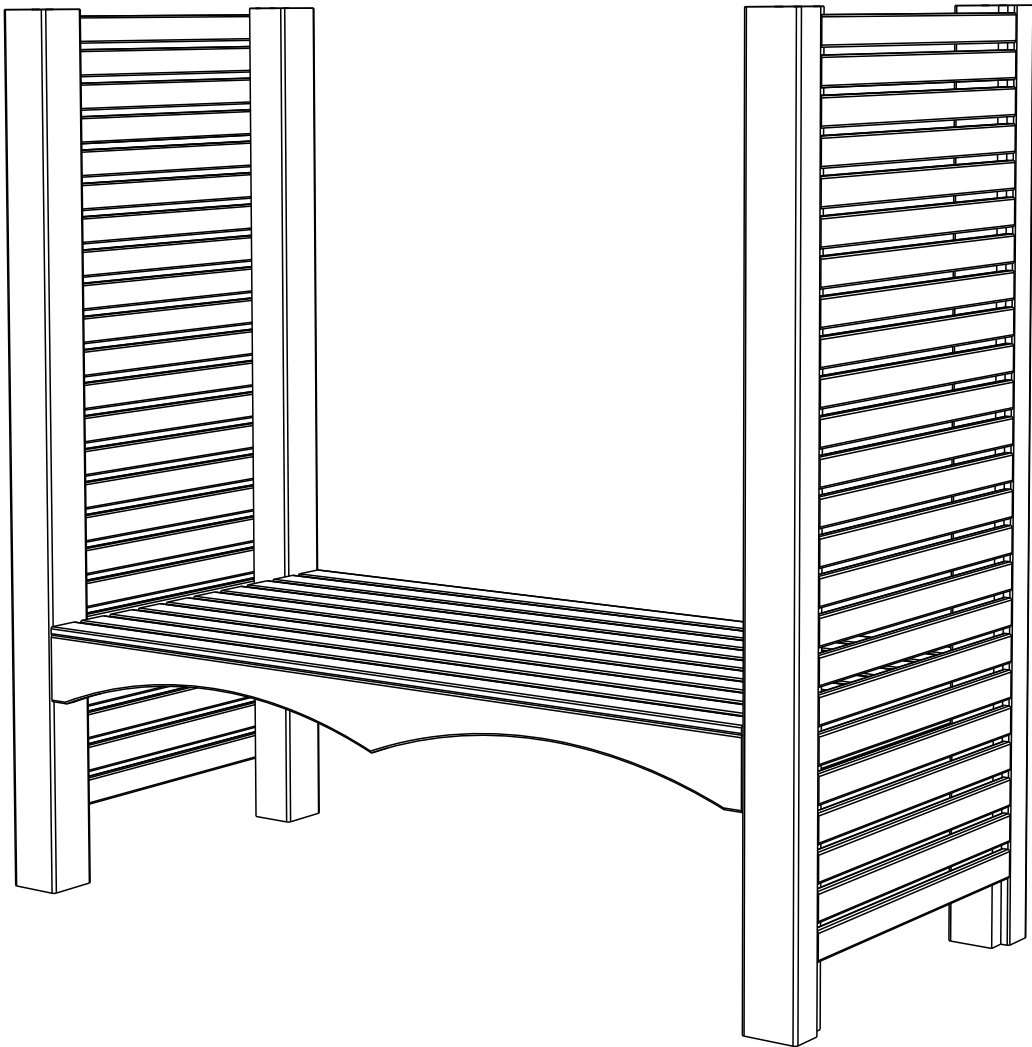
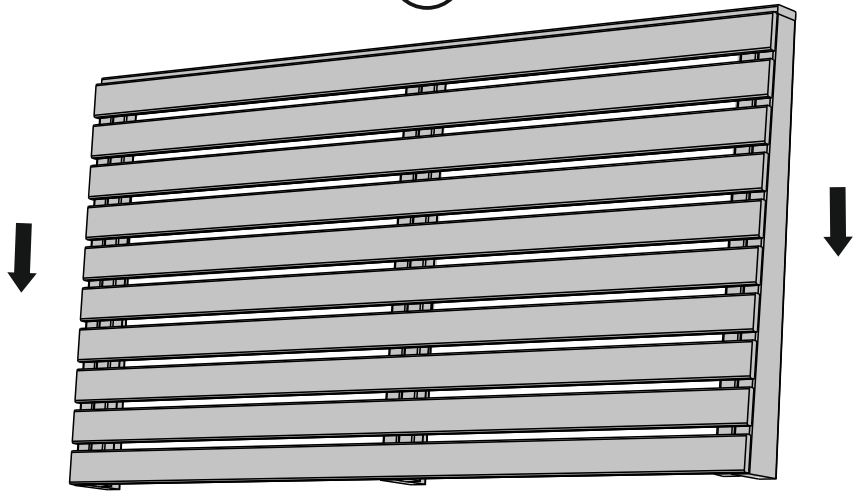


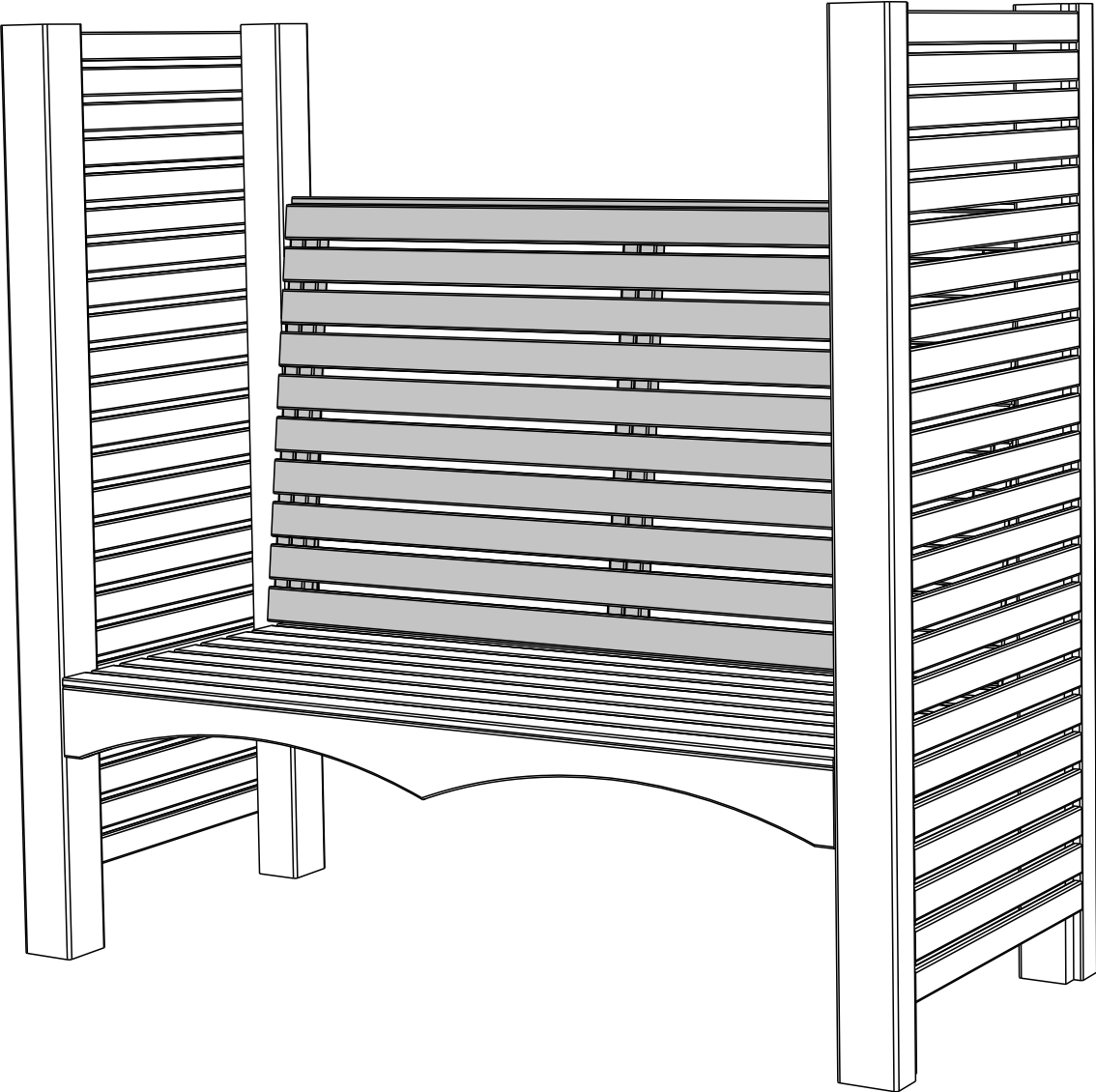
[X]

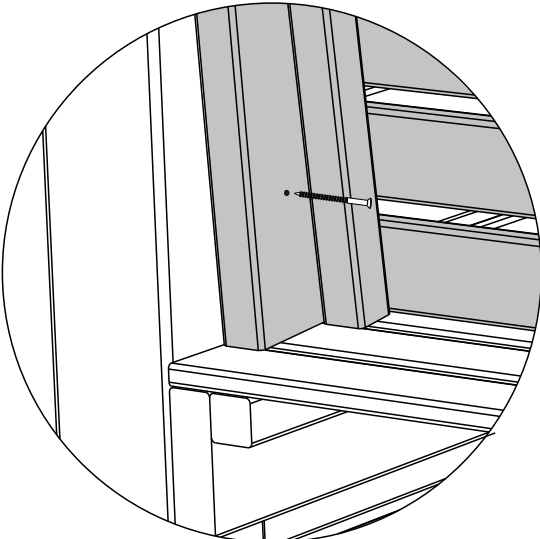
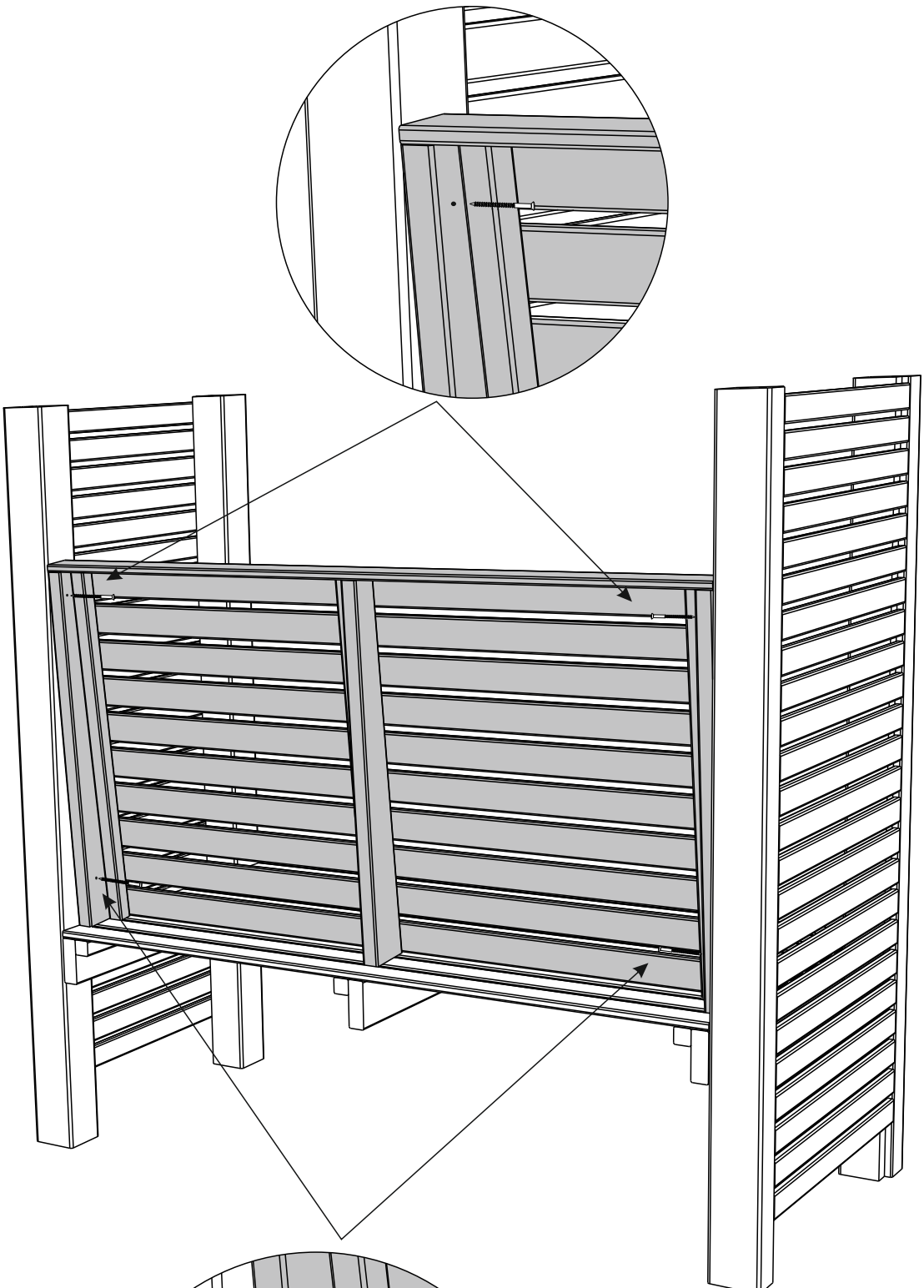


x16

Ⓓ



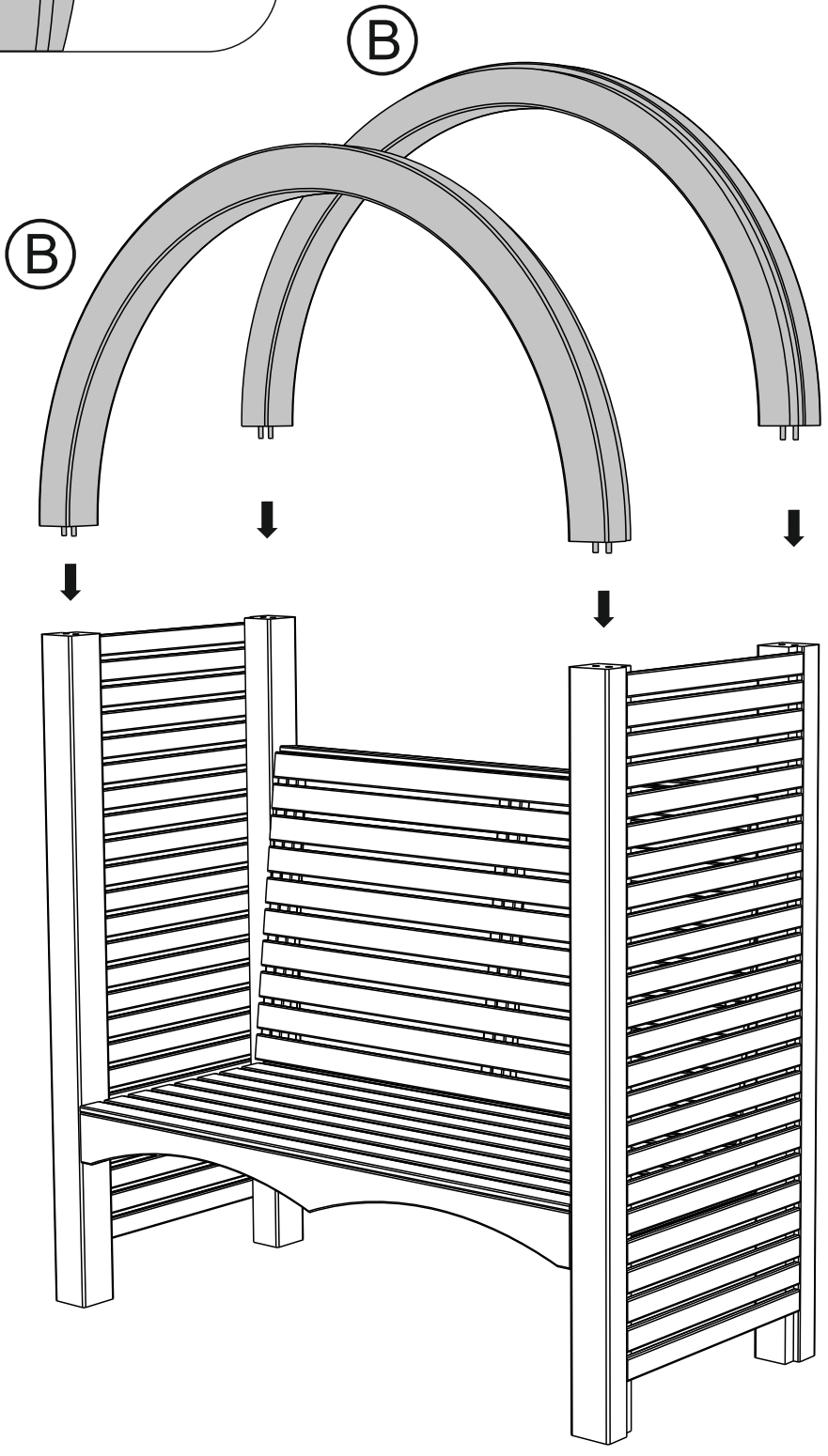
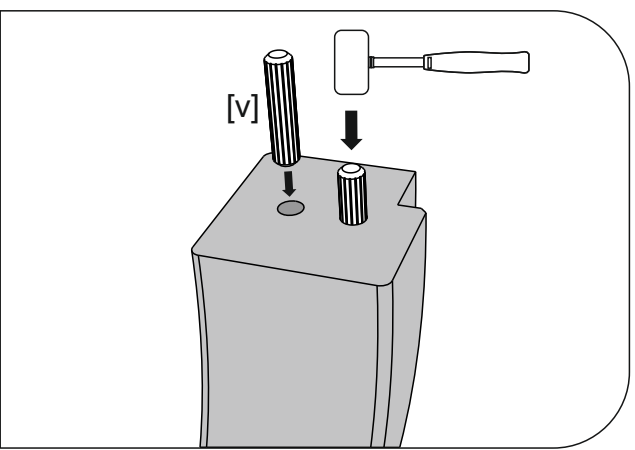




[x]



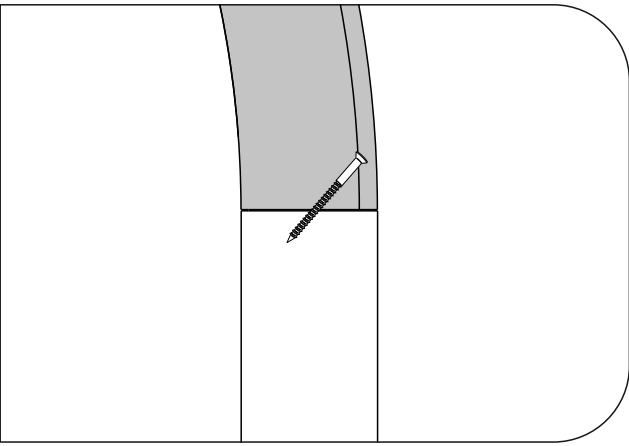
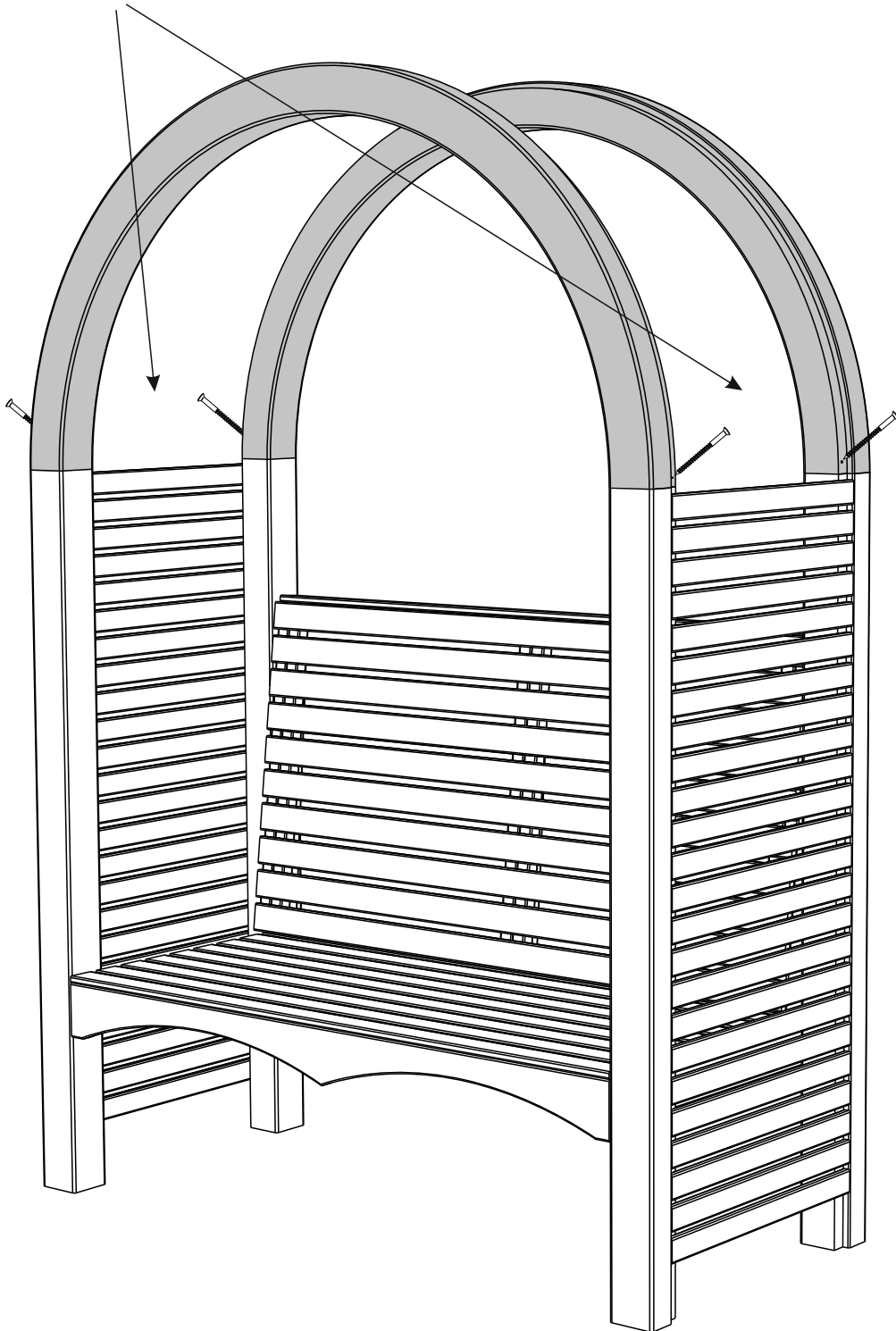
x4

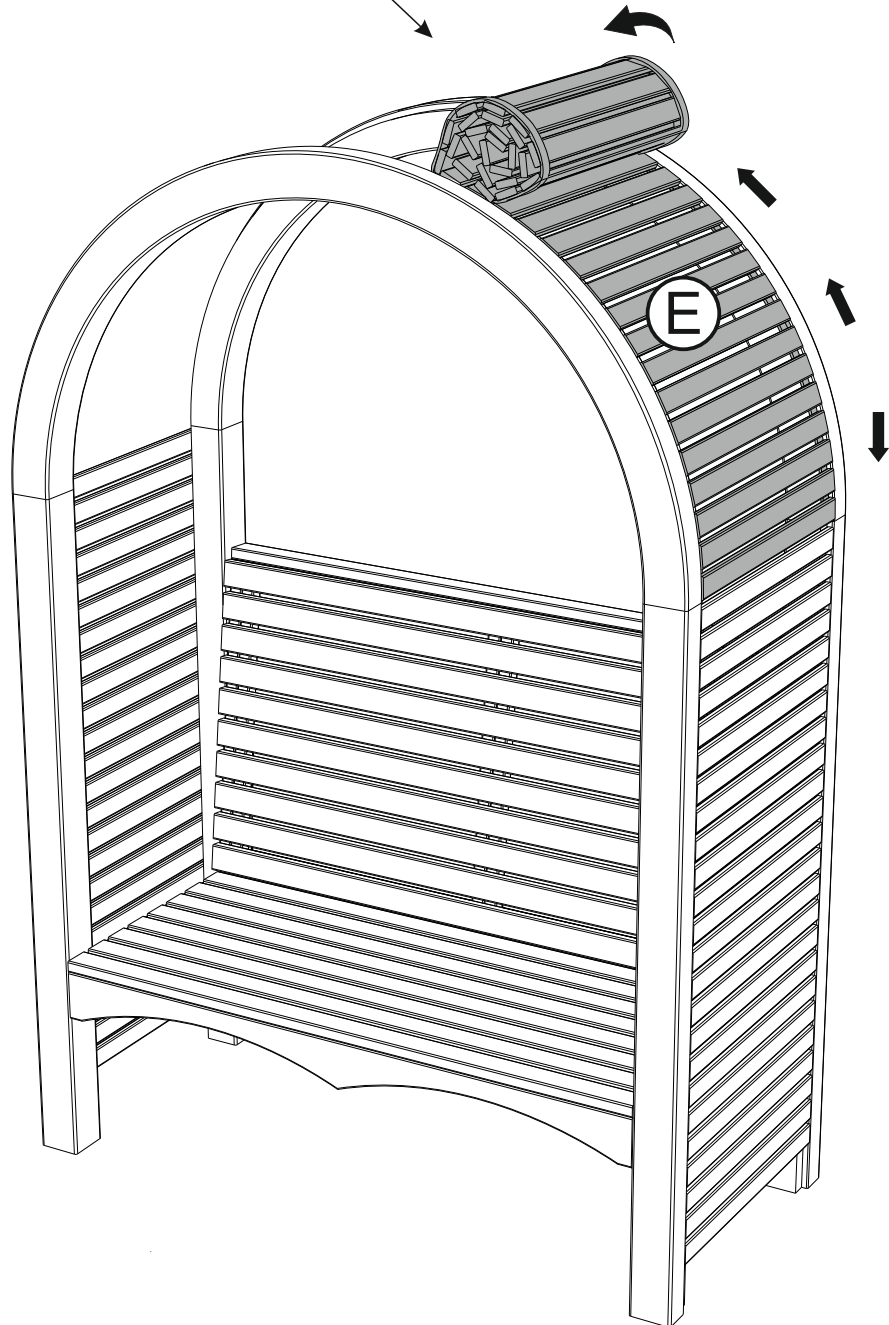
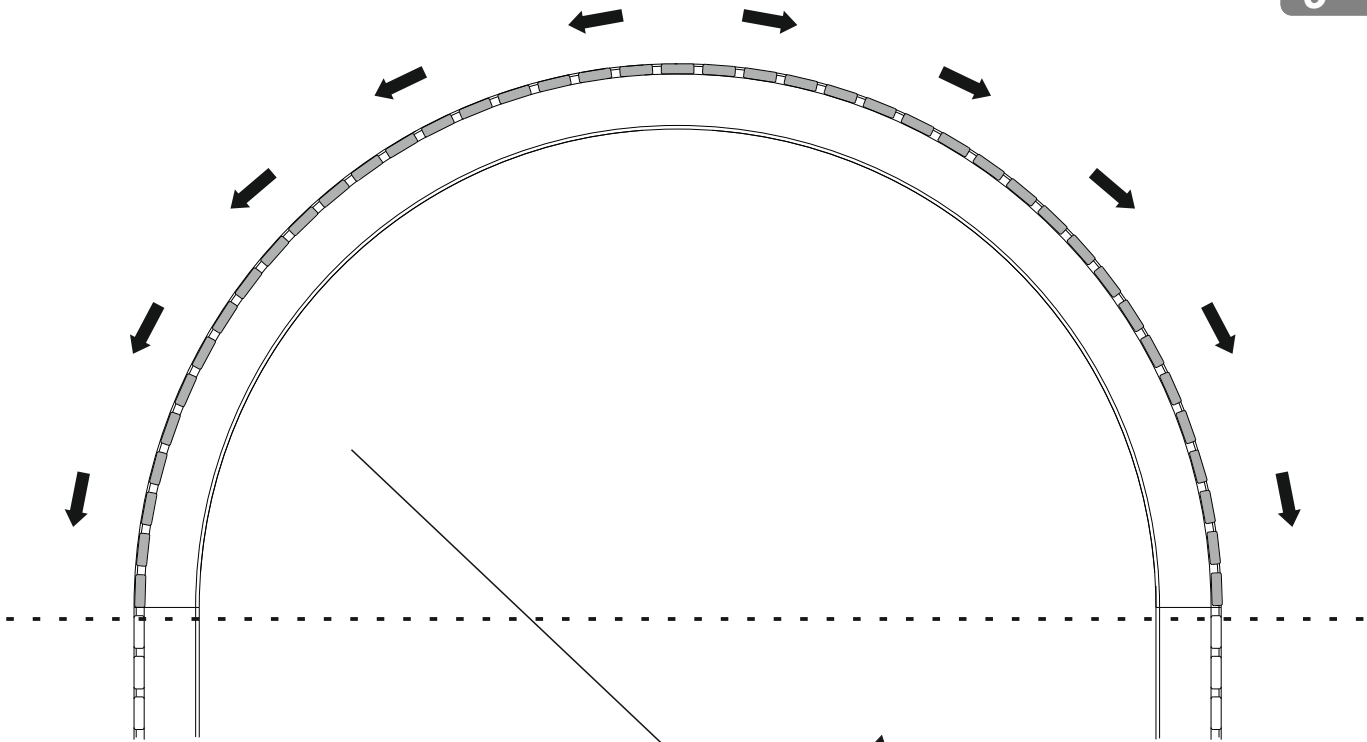


[w]



x4

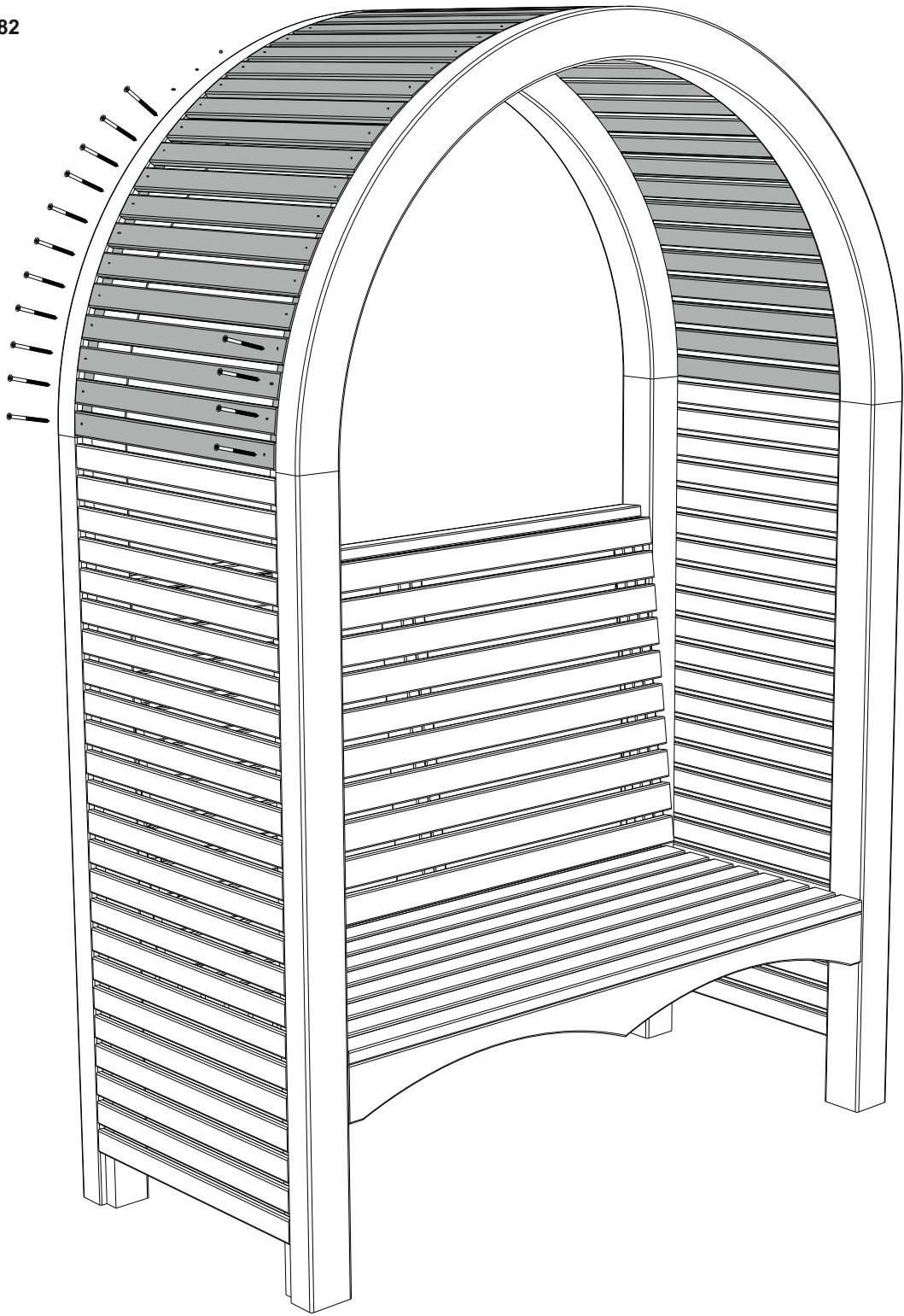


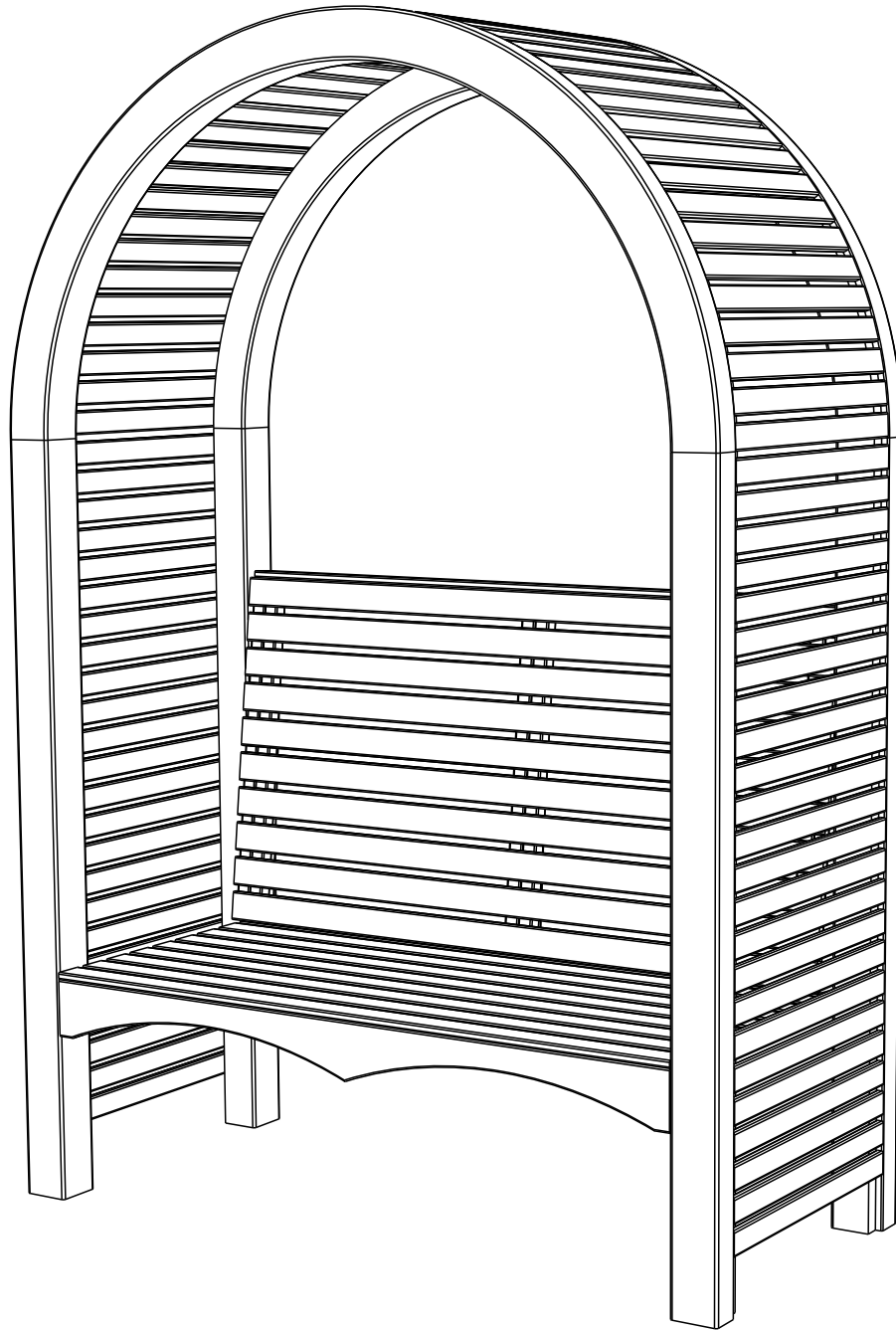


[y]



x82



**AFTERCARE**

To ensure longevity of your structure it is recommended that it is treated with a wood preservative on a yearly basis.

Your item is ready!