

Before assembly

- We recommend that time is taken to read the instructions before starting assembly, then follow the easy step by step guide. The instruction sheet is only a guide to the assembly. Certain items may not be shown to scale.
- Check all components prior to assembly
- This product should be assembled by no less than two people.
- Drill pilot holes for screws to avoid splitting and cracking the timber.

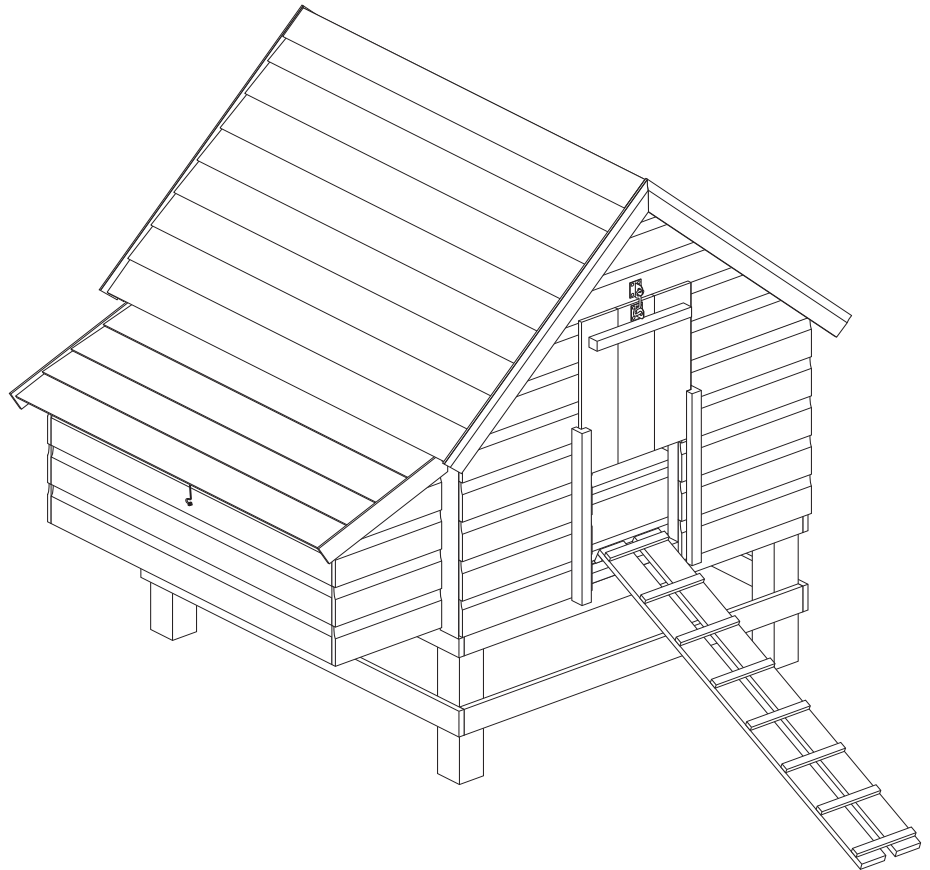


Recommended tools for assembly

- Power Drill/Screwdriver
- Cross-head drill bit
- 3mm diameter drill bit
- Tape measure

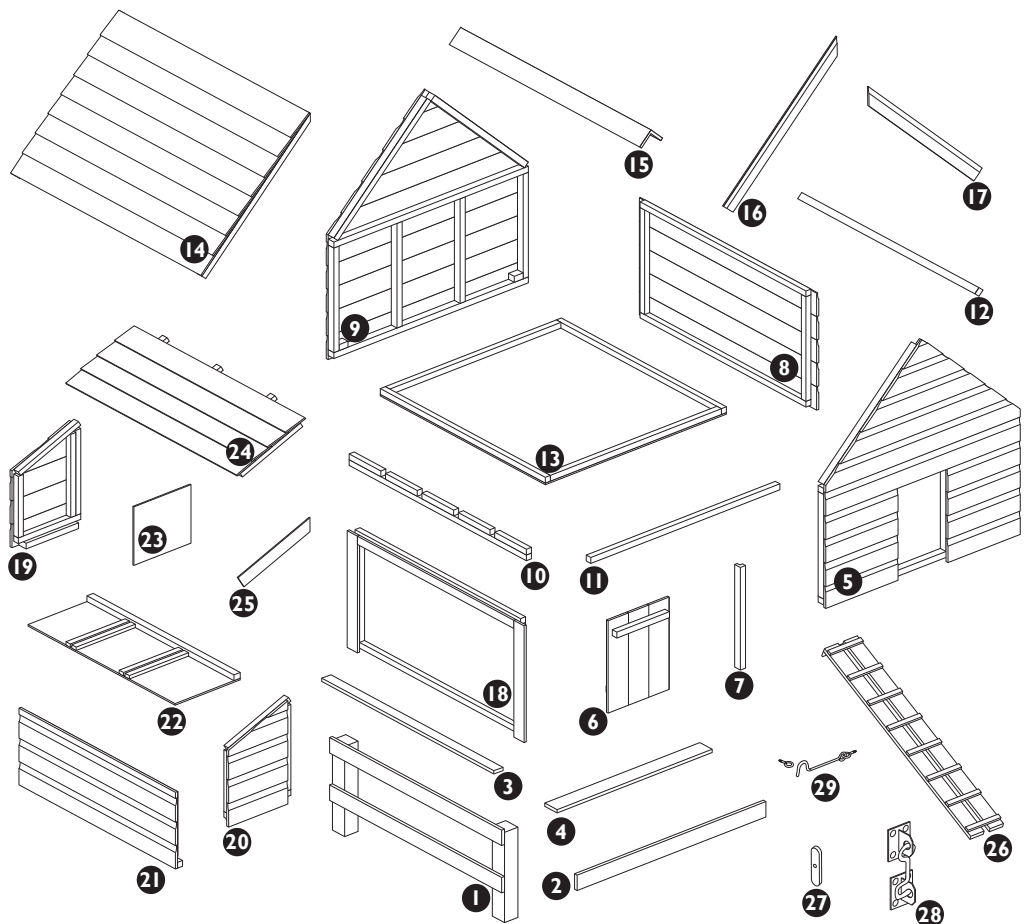
Biocidal Products Regulation EU 528/2012

Wolmanit® CX treated wood, is a treated article incorporating biocidal products: copper hydroxide carbonate, bis(N-cyclohexyl-diazonium-dioxy)-copper and Boric Acid. They protect wood against fungal decay, rot and insect attack. Wear gloves when handling freshly treated wood. Avoid breathing dust when cutting wood. Dispose of off-cuts responsibly.



No.	Components	Qty.
1	Side base panel	2
2	Front/rear base boards (95x16x1090mm)	4
3	Top base boards Narrow (45x16x1058mm)	2
4	Top base boards Wide (95x16x1058mm)	2
5	Front panel	1
6	Door	1
7	Door rails	2
8	Plain side panel	1
9	Back panel	1
10	Perch support rail	2
11	Perch (28x28x1060mm)	4
12	Roof purlin (28x28x1090mm)	1
13	Floor tray	1
14	Roof panel	2
15	Roof ridge cap	1
16	Left-hand barge board	2
17	Right-hand barge board	2
18	Nest box frame panel	1
19	Nest box left-hand side	1
20	Nest box right-hand side	1
21	Nest box side panel	1
22	Nest box floor/tray	1
23	Nest box dividers	2
24	Nest box roof	1
25	Nest box bargeboard	2
26	Ramp	1

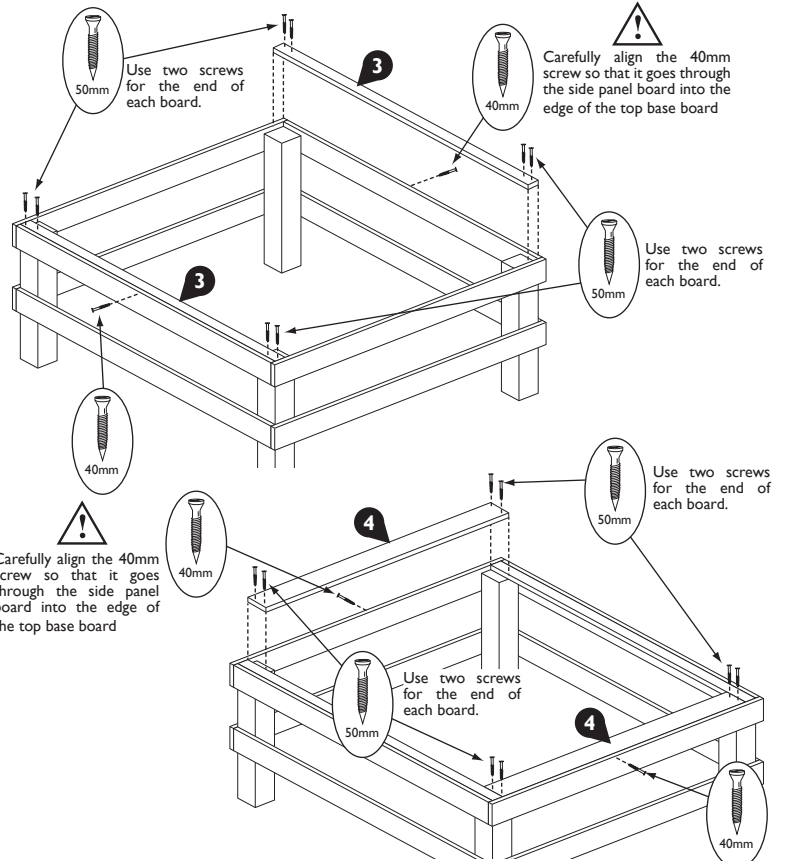
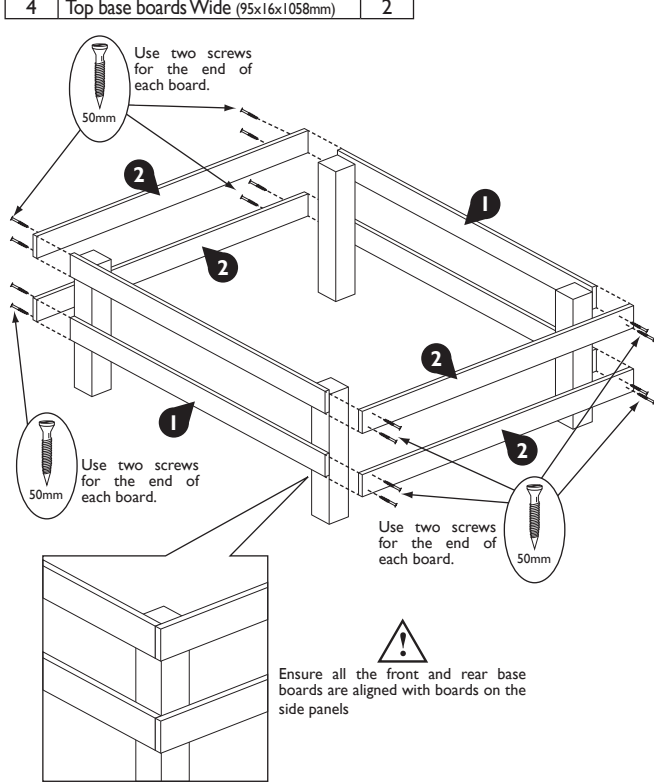
No.	Fixing Kit	Qty.
27	Turn button	4
28	Heavy duty hook & eye	1
29	Hook & eye	1
30	50mm screws	78
31	40mm screws	24
32	25mm screws	4
33	12mm screws	8



I. Base

No.	Components for this section	Qty.
1	Side base panel	2
2	Front/rear base boards (95x16x1090mm)	4
3	Top base boards Narrow (45x16x1058mm)	2
4	Top base boards Wide (95x16x1058mm)	2

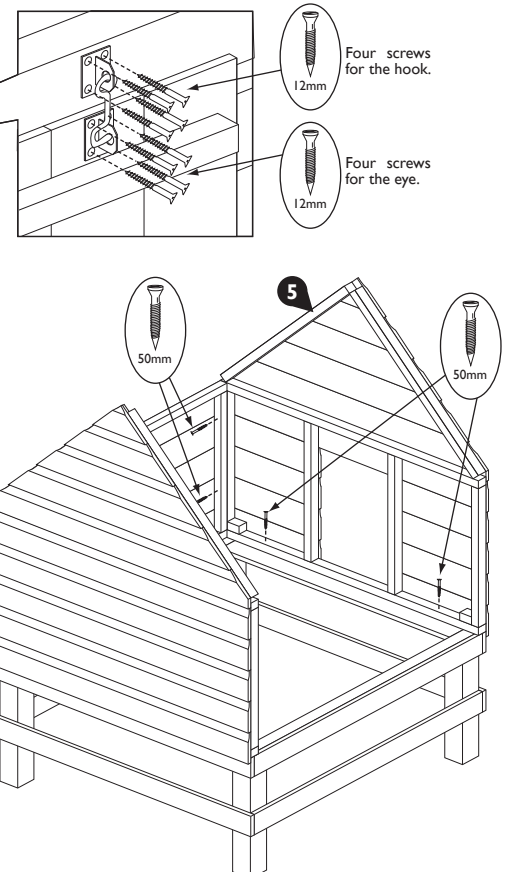
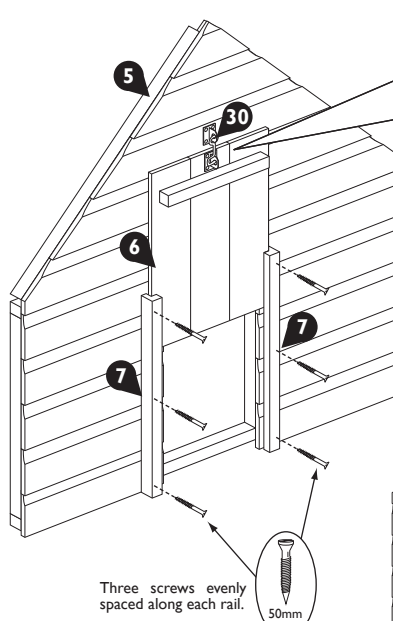
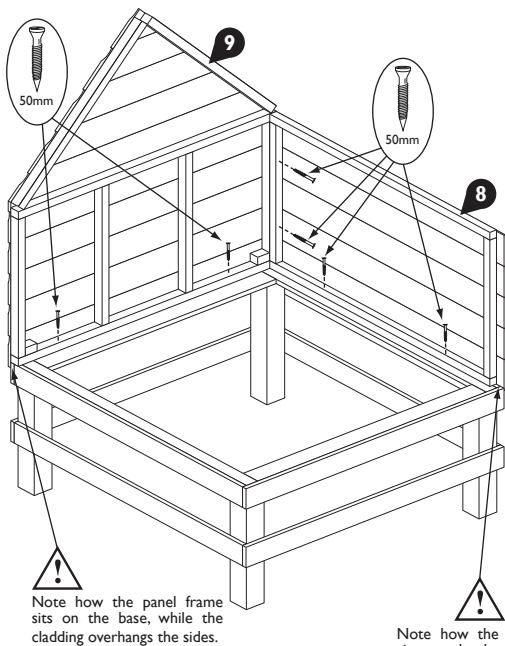
No.	Fixings for this section	Qty.
30	50mm screws	32
31	40mm screws	4



2. Front, Back & Side Panels

No.	Components for this section	Qty.
5	Front panel	1
6	Door	1
7	Door rails	2
8	Plain side panel	1
9	Back panel	1

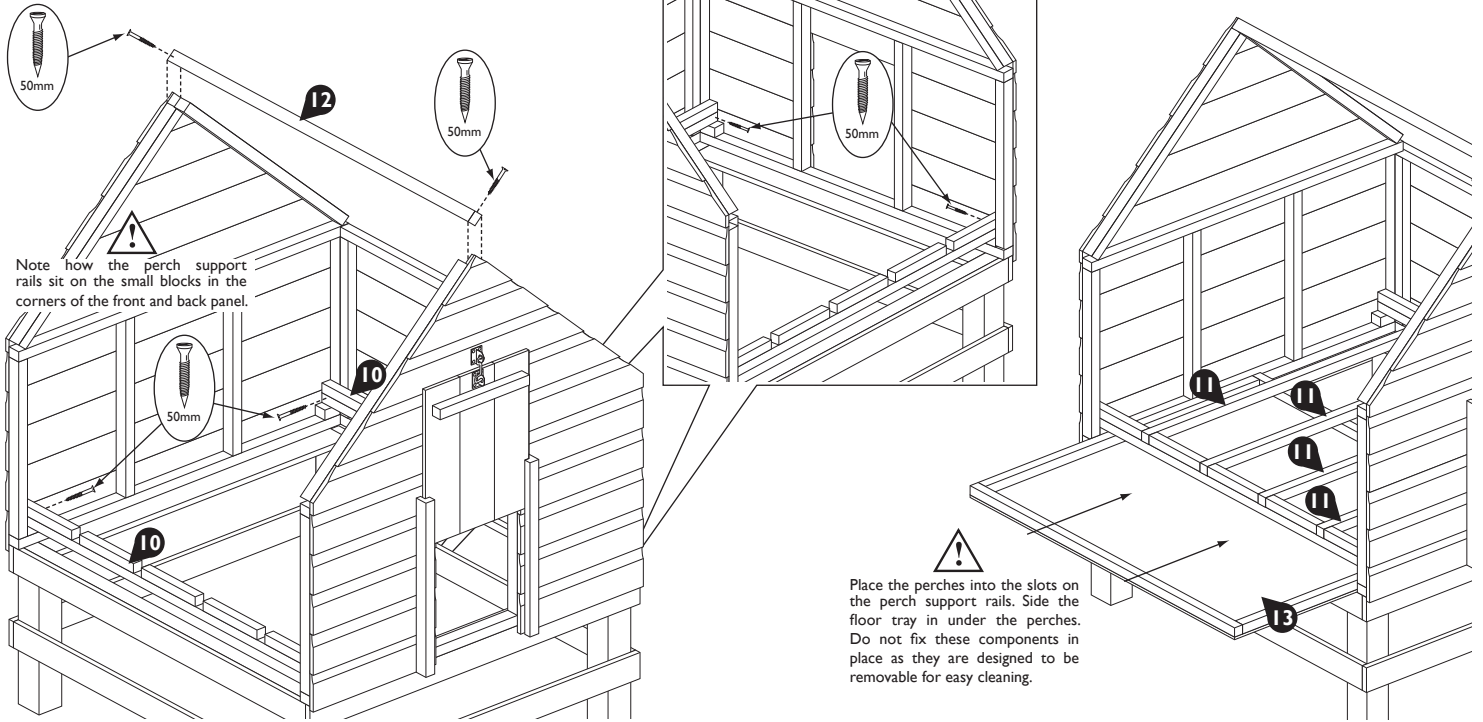
No.	Fixings for this section	Qty.
28	Heavy duty hook & eye	1
30	50mm screws	16
33	12mm screws	8



3. Floor, Perches & Roof Purlin

No.	Components for this section	Qty.
10	Perch support rail	2
11	Perch	4
12	Roof purlin	1
13	Floor tray	1

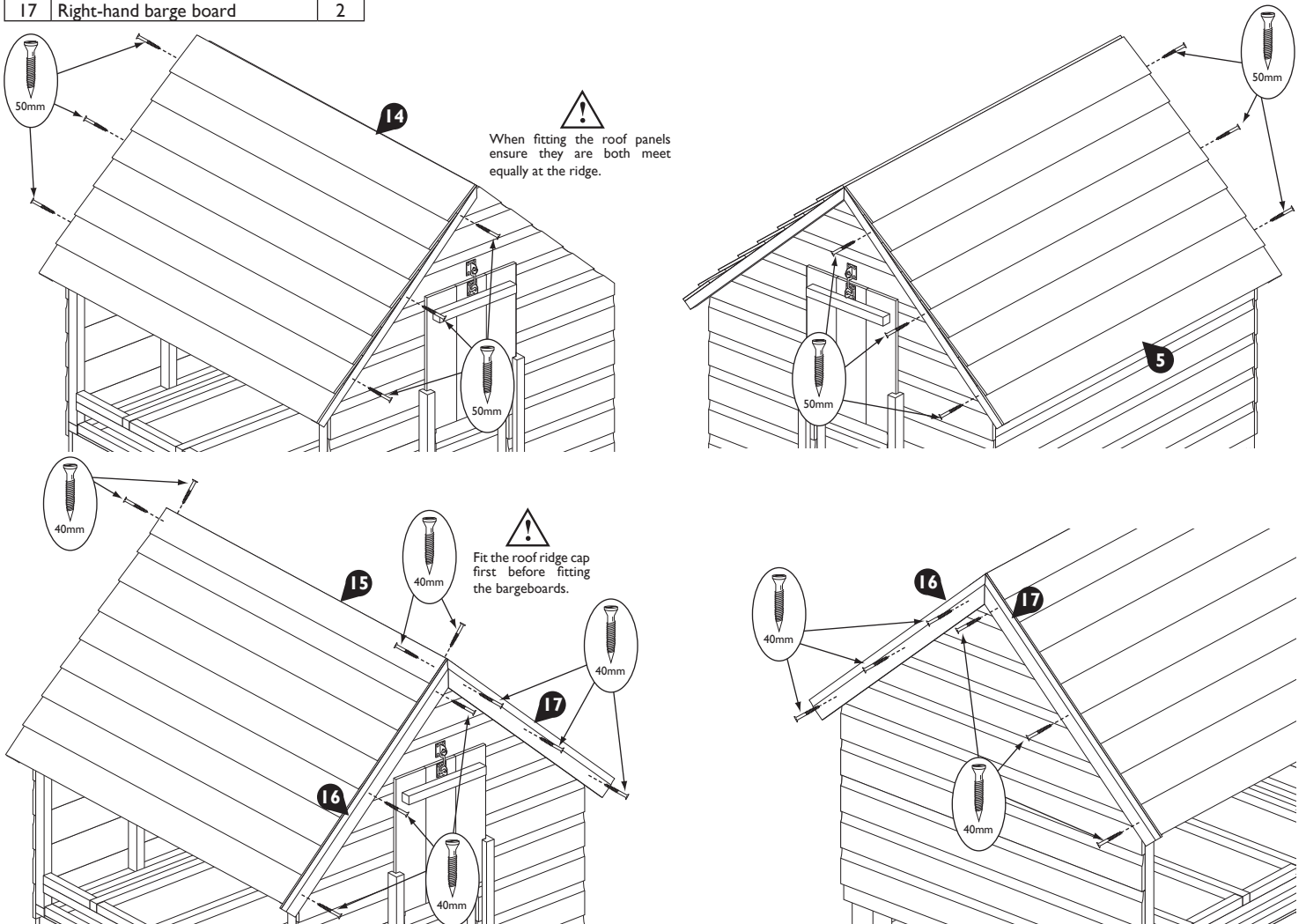
No.	Fixings for this section	Qty.
30	50mm screws	6



4. Roof, Ridge Cap & Bargeboards

No.	Components for this section	Qty.
14	Roof panel	2
15	Roof ridge cap	1
16	Left-hand barge board	2
17	Right-hand barge board	2

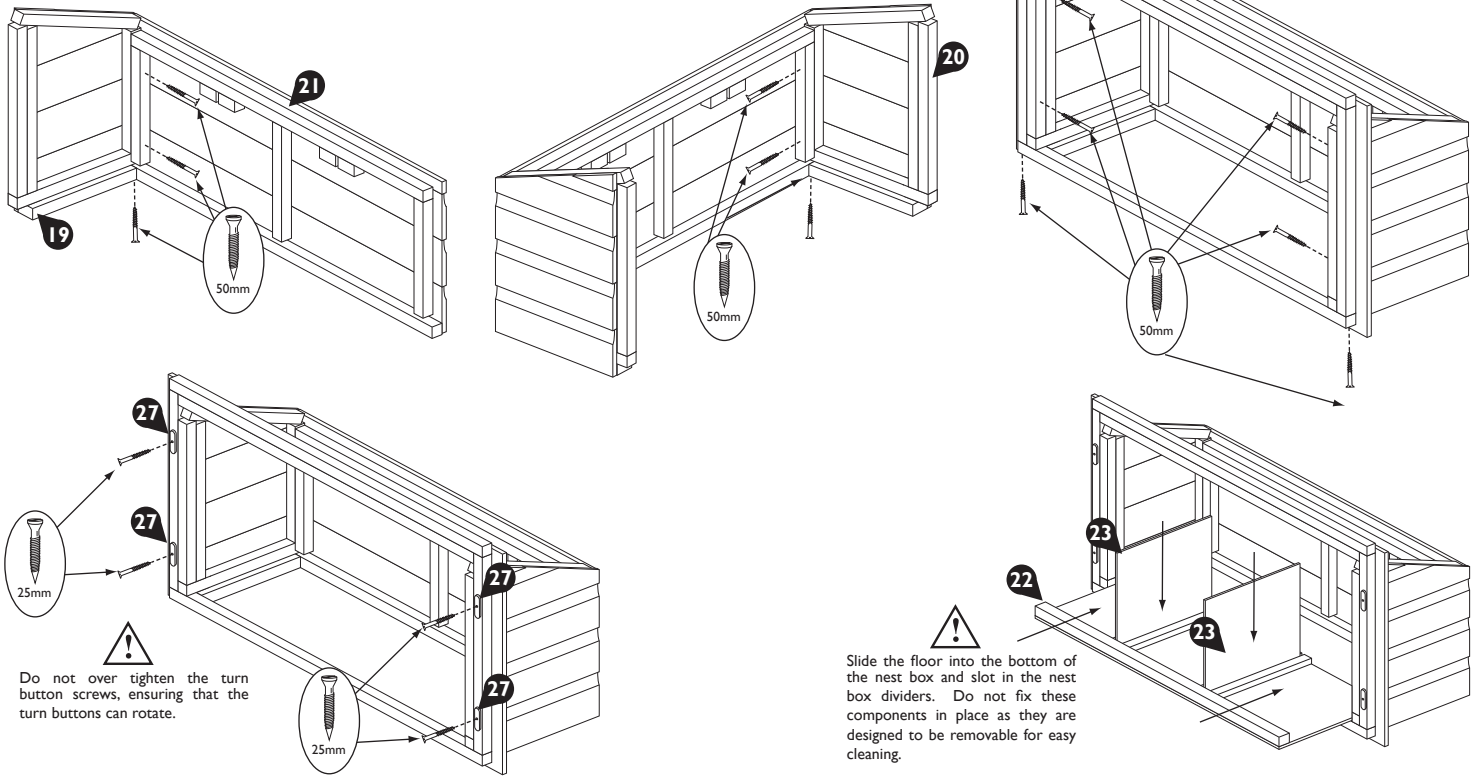
No.	Fixings for this section	Qty.
30	50mm screws	12
31	40mm screws	16



5. Nest Box

No.	Components for this section	Qty.
18	Nest box frame panel	1
19	Nest box left-hand side	1
20	Nest box right-hand side	1
21	Nest box side panel	1
22	Nest box floor/tray	1
23	Nest box dividers	2

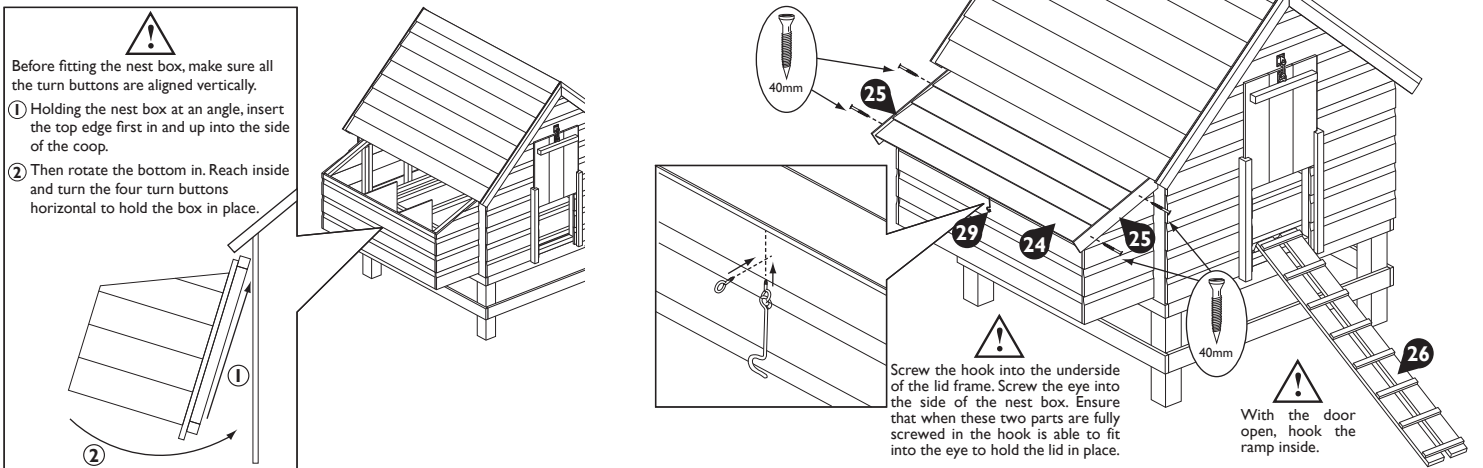
No.	Fixings for this section	Qty.
27	Turn button	4
30	50mm screws	12
32	25mm screws	4



6. Nest Box Roof & Ramp

No.	Components for this section	Qty.
24	Nest box roof	1
25	Nest box bargeboard	2
26	Ramp	1

No.	Fixings for this section	Qty.
29	Hook & eye	1
31	40mm screws	4



Important information - retain for future reference

Please dispose of all packaging responsibly and recycle where possible in line with local authority requirements. Pressure treated buildings require no further preservative treatment, However they can be painted or stained if required.

Timber Information.

As timber is a natural material, there are certain weather conditions that may affect the materials properties. In times of excessive dry spells the material may lose some of its internal moisture causing a certain degree of shrinkage on a panel and in periods of excessive rain there will be a certain amount of swelling throughout the wooden panels. This process can not be avoided. If you have problems with certain boards shrinking in dry spells try to decrease the amount of direct sunlight on the building or the amount of air passing over the building.

If in doubt of any aspect regarding the assembly, use or safety of your Chicken Coop please contact us:

Help Line: (Normal Office Hours) 01829 261 121

Email: support@rowgar.co.uk

ROWLINSON GARDEN PRODUCTS LIMITED
Green Lane
Wardle Nr. Nantwich
Cheshire
CW5 6BN
www.rowgar.co.uk

We constantly improve the quality of our products, occasionally the components shown and are only correct at time of printing. We reserve the right to change the specification of our products without prior notice.

2024 © Rowlinson Garden Products Ltd