

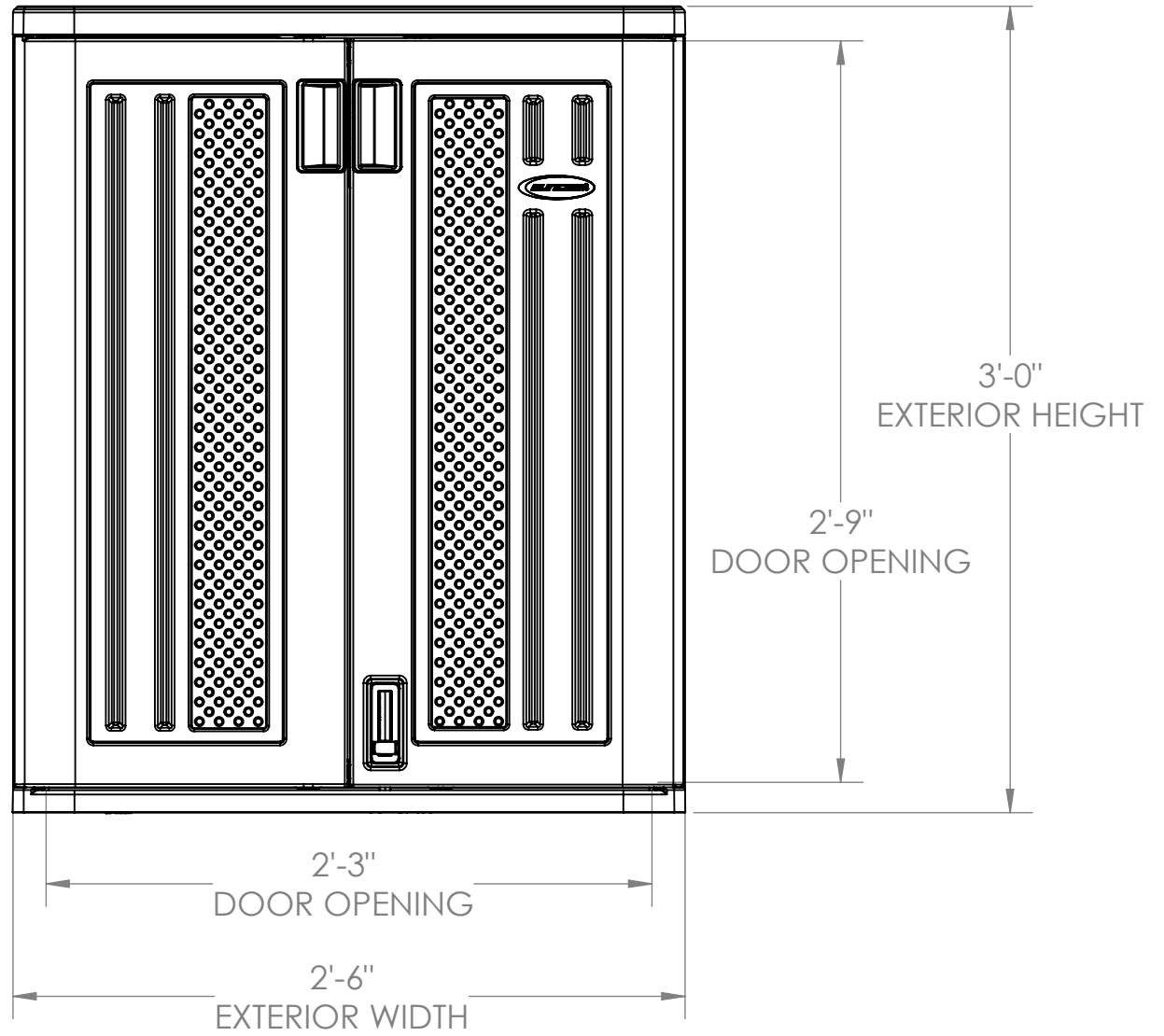
**BMC3600**  
FRONT VIEW

TOTAL VOLUME

INTERIOR 9 cu. ft.  
EXTERIOR 12.5 cu. ft.

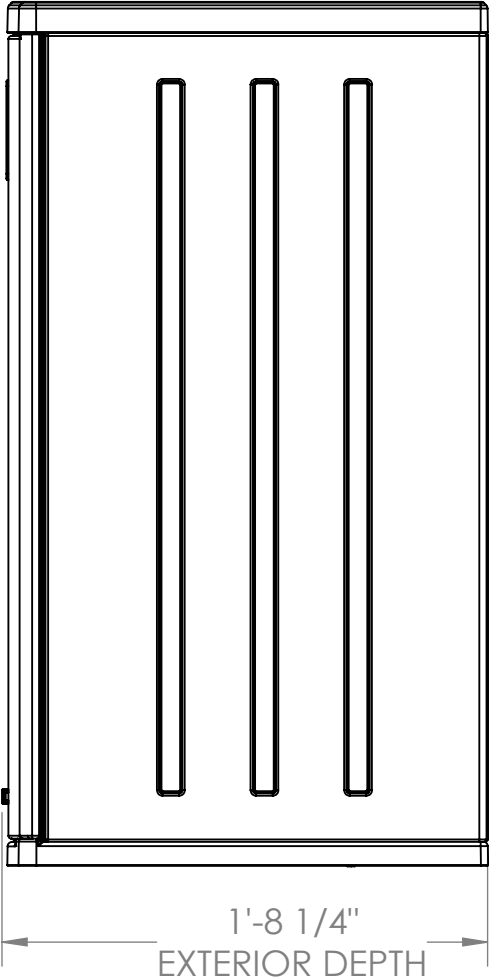
SQUARE FOOTAGE

INTERIOR 3.26 sq. ft.  
EXTERIOR 4.17 sq. ft.

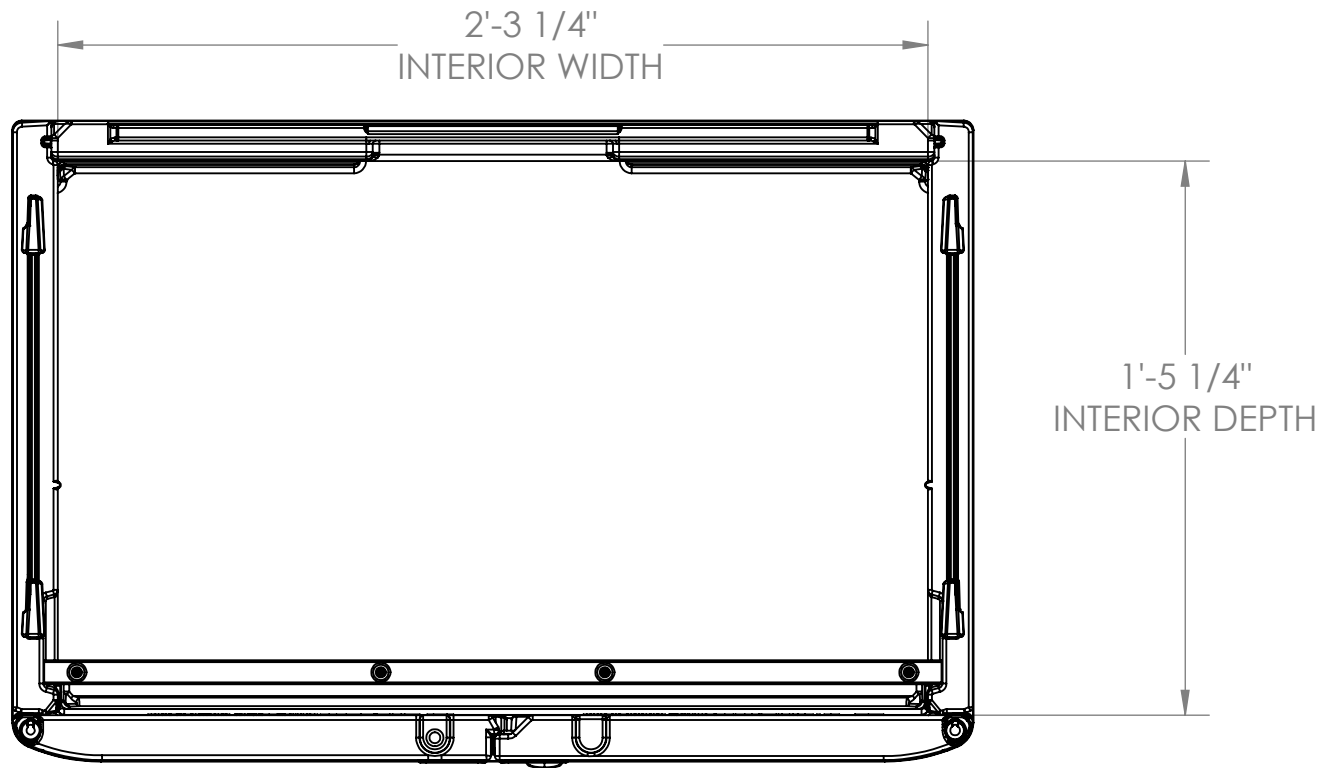


**BMC3600**

SIDE VIEW



**BMC3600**  
TOP VIEW



**BMC3600**  
SECTION VIEW

