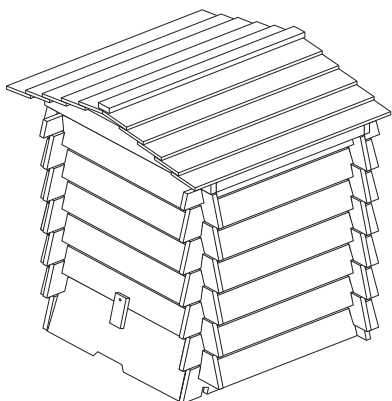


## Assembly Instructions



### Before assembly

- We recommend that time is taken to read the instructions before starting assembly, then follow the easy step by step guide. The instruction sheet is only a guide to the assembly. Certain items may not be shown to scale.
- Check all components prior to assembly

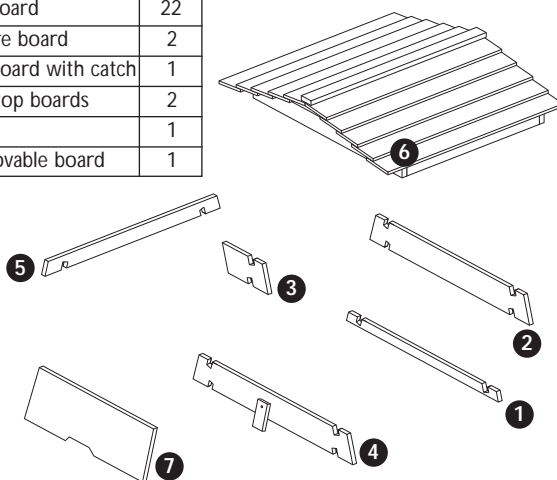


### Recommended tools for assembly

- Cross head screwdriver

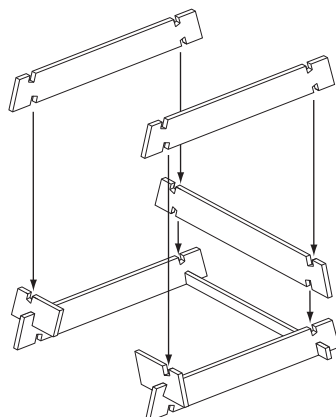
No.	Components	Qty.
1	Half base board	1
2	Full board	22
3	Square board	2
4	Full board with catch	1
5	Half top boards	2
6	Lid	1
7	Removable board	1

No.	Fixing Kit	Qty.
8	20mm screws	6



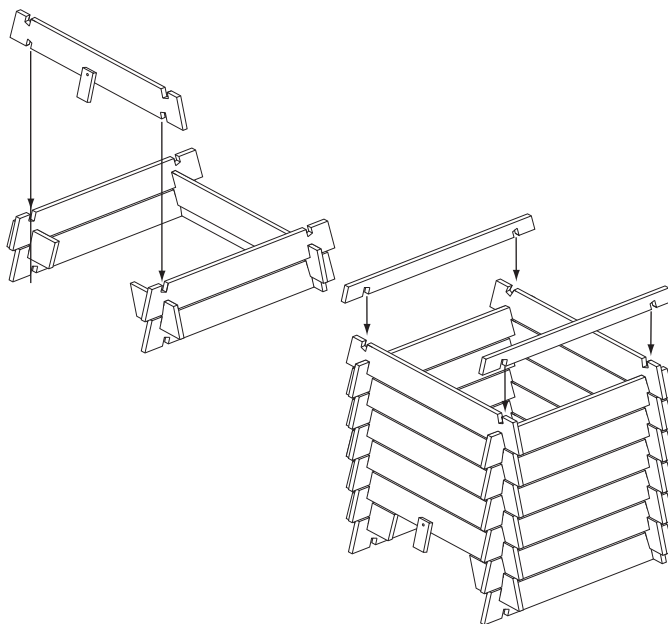
### 1. Base

Start at the back of the composter with the half base board, interlock 2 full boards with the base board to create the sides. At the front on the composter interlock the 2 square boards with the front boards. Continue by adding a full board at the back and 2 more for the sides



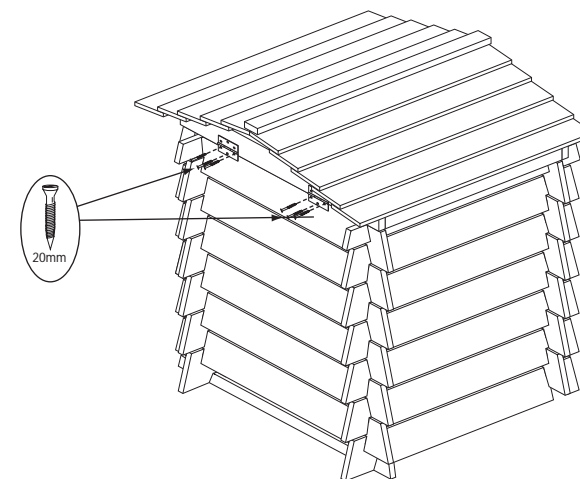
### 2. Full board with catch

Fit the Full board with catch at the front of the composter and continue to build up the rest of the walls using the remaining full boards. Once all the full boards are used finish of the side walls with the top half boards.



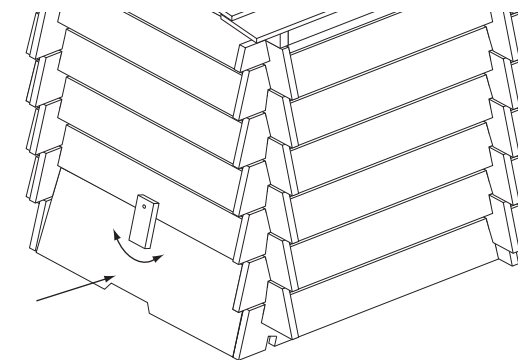
### 3. Lid

Place the lid centrally on to the top of the assembly with the pre fitted hinges at the back. when in position secure the hinges to the back wall using 3 x 20mm screws per hinge.



### 4. Removable board

Turn the catch horizontal to allow the removable board to be positioned. Once the board is in place, turn the catch back vertical.



We constantly improve the quality of our products, occasionally the components may differ from the components shown and are only correct at time of printing. We reserve the right to change the specification of our products without prior notice.