

8' x 6' SHIPLAP SHED

IMPORTANT, RETAIN FOR FUTURE REFERENCE; READ CAREFULLY

Check all parts prior to assembly

This buildings is pressure treated to ensure longevity of all timber components and to protect against rot. This may leave a colour difference on some parts that will even out as the moisture content stabilises. This will not require additional treatment.

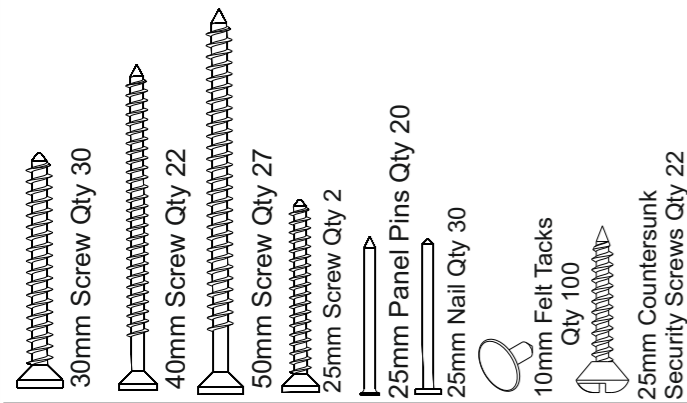
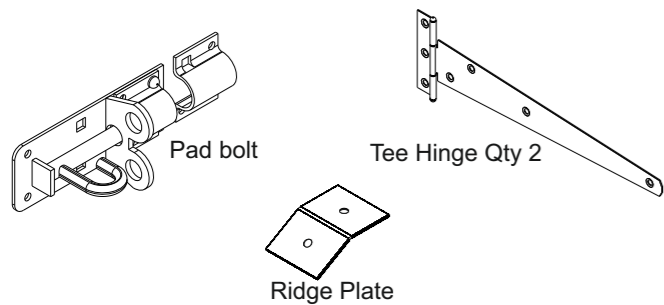
- Timber is a natural material. It will shrink and swell as a result of varying moisture content.
- Due to the nature of the material the doors may need some trimming for a neater fit.
- Please keep all plastic bags and small parts away from children
- The roof of this building is not a load bearing structure.
- This product must be built on a solid level base.

Technical Help line: **0333 7777 089** 8.30 am and 5.00 pm Monday to Friday.

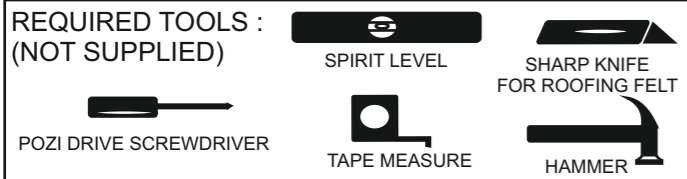
In line with your statutory rights, please check all parts prior to assembly, as assembly of damaged parts may be deemed to be acceptance and this may affect the remedies you are entitled to. If the product is not constructed in accordance with the instructions, or is altered in anyway (e.g. painted), the manufacturer cannot be held liable for any resulting damage.

Fixing Pack (MSLSH86FP)

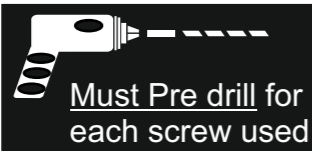
Not to Scale



REQUIRED TOOLS : (NOT SUPPLIED)

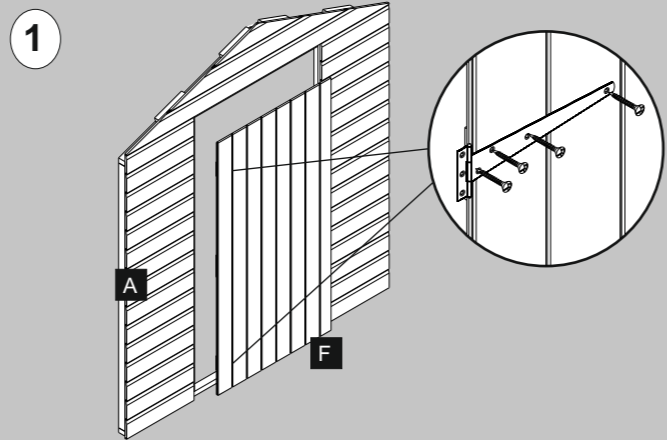


Important : Assembly of this shed requires a minimum of two adults.



MSLSH86 PARTS LIST

A		B		C		D		E		F		G		H		I	
J			M			P			Q			R					
K			N														
L			O														

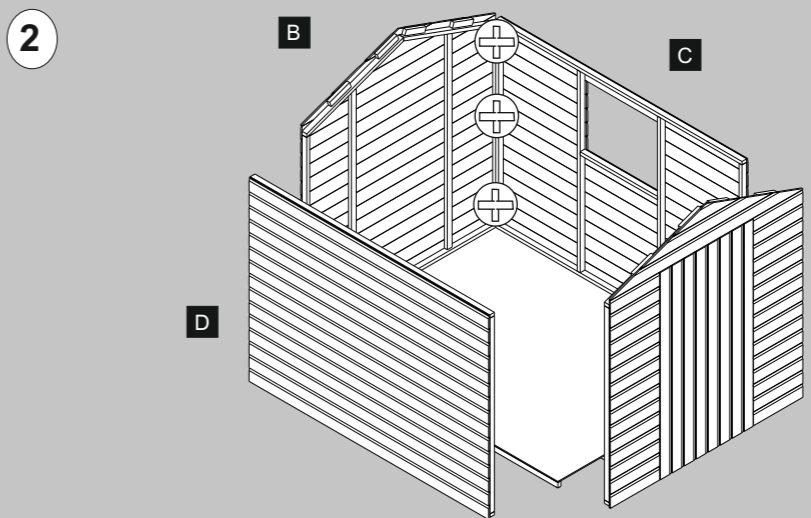


1

Place and secure two hinges to the door so that they line up with the battens on the reverse, using 25mm Security Screws for each.

Place the door into the door end ensuring that the door is square. Fix the doors in place using 3x25mm Security Screws for the smaller section of each hinge.

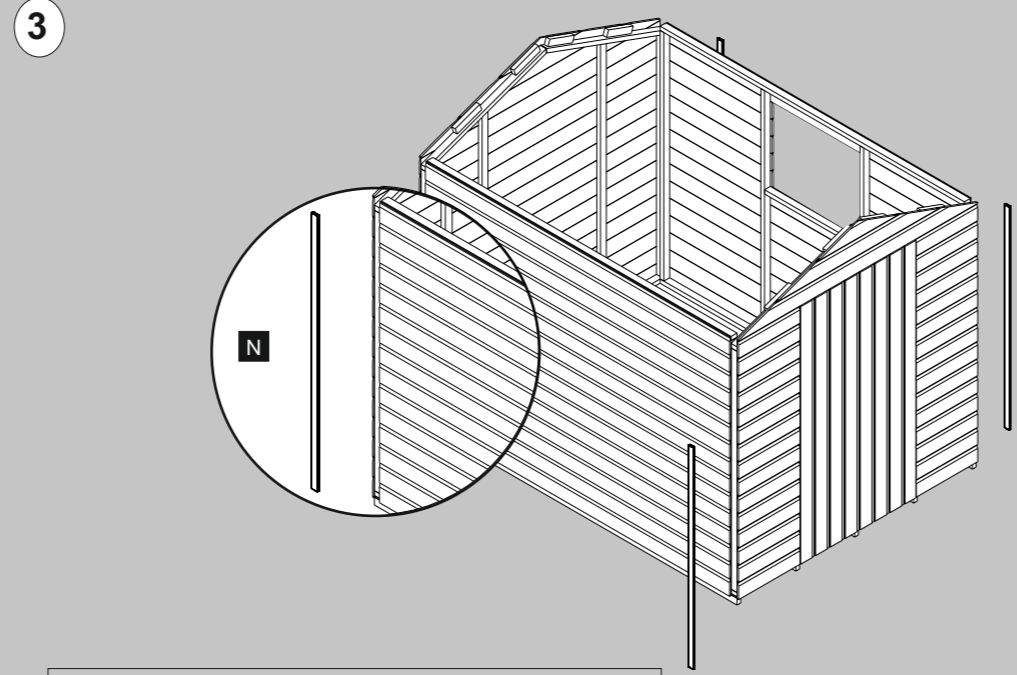
Attention:
Take care when placing the screws. These can not be backed out.



2

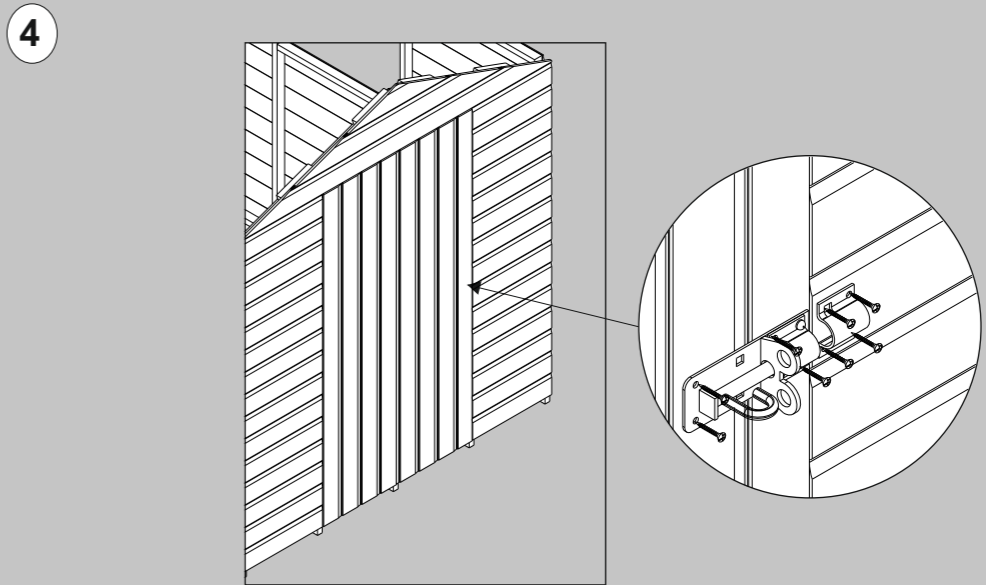
Place the panels on top of the completed floor. Make sure that all the panels are tight and flush before fixing them to each other using 3x50mm screws.

When the panels are secured to each other, make sure they are square and fix to the floor using 3x50mm screws for each panel ensuring the screws are located into the bearers underneath.



3

Place the corner strips so that they cover the joins between the panels. Fix each in place using 3x30mm screws.

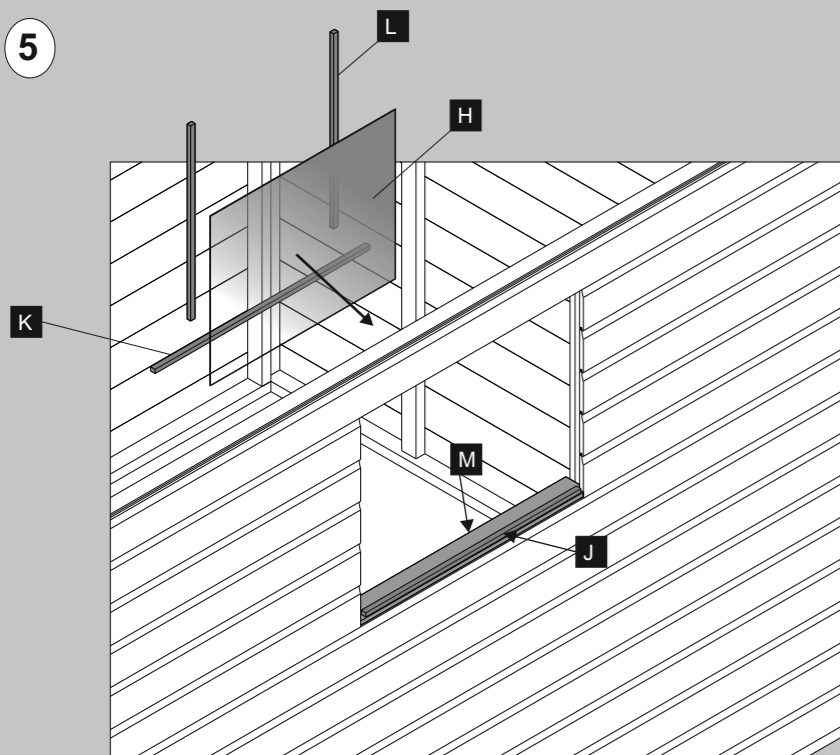


4

Fix the pad bolt to the doors so that it is in line with the batten on the back. Make sure that both parts are positioned so that the bolt will locate correctly and keep the doors locked. Fix the pad bolt in place using 8x25mm Security Screws.

Attention:
Take care when placing the screws. These can not be backed out.

5



Place the notched board on to the bottom of the window gap so that the notches push up against the cladding. Fix this in place using 2 x 30mm screws.

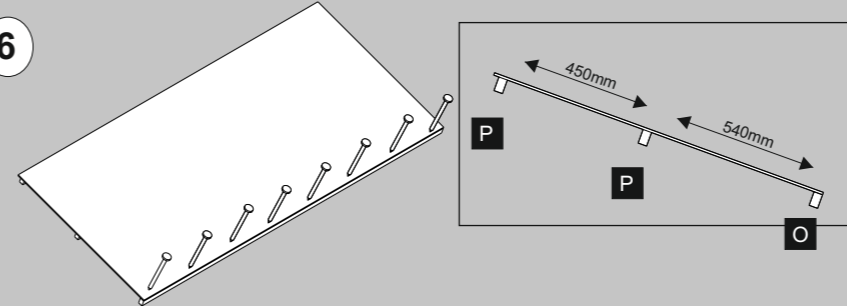
Position the 700mm strip on top of the notched board and place it so that it is flush with the front of the cladding. Fix this in place using 4 x Panel Pins.

From inside the shed place the glazing material against the front so that it sits tight against the boards and the strip you have just placed.

Place the 730mm strip against the bottom of the glazing so that everything is tight and fix using 4 x Panel Pins.

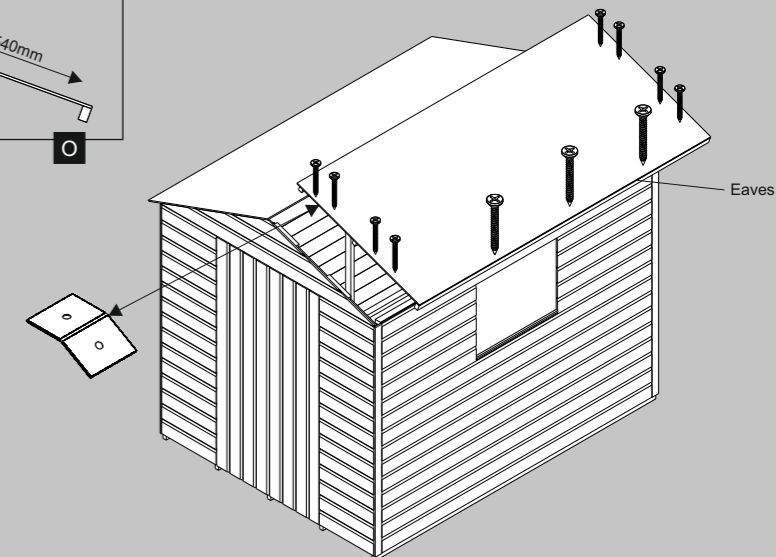
Fix the remaining 575mm strips on either side and fix using 4 x Panel Pins for

6



Place a roof sheet on top of a 2440mm batten so that it is flush on all sides as shown, and fix it in place using 30mm nails. The nails should be spaced in approximately 300mm intervals. Position two of the 2416mm under the roof sheet and spaced out as shown above and offset 12mm from the edges.

Again fix each batten in place hammering through the roof board using 30mm nails in 300mm intervals.

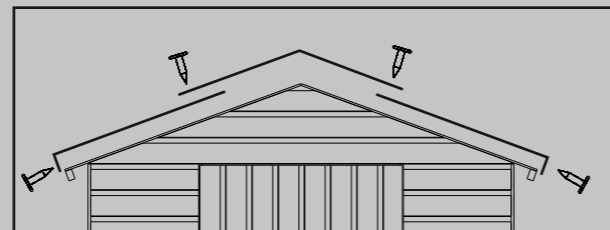
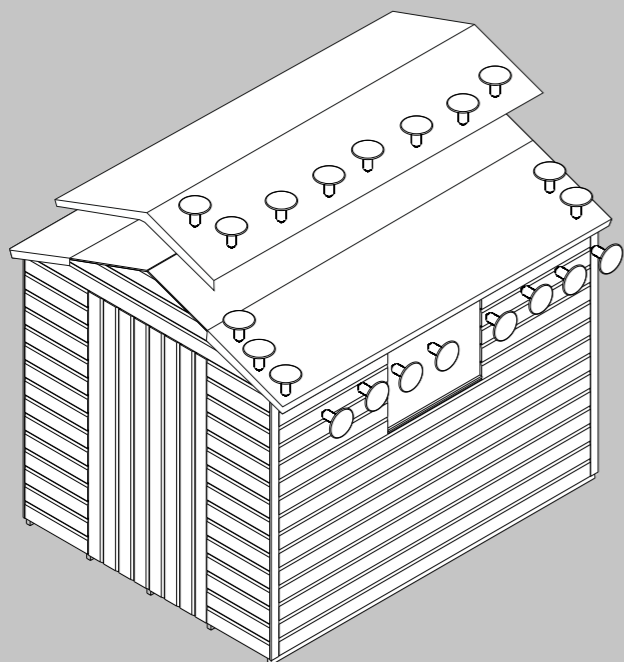


Lift the roof sections in place so that they sit level on all sides and lock over the locating battens on the door and end panels as illustrated.

From inside the shed fix the two sections together using the ridge plate provided and 2 x 25mm screws.

Fix each roof section to the shed using 4 x 30mm screws at each end, screwing into the locating battens and 3 x 40mm screws along the eaves making sure that the screws are positioned in line with the side panels.

7

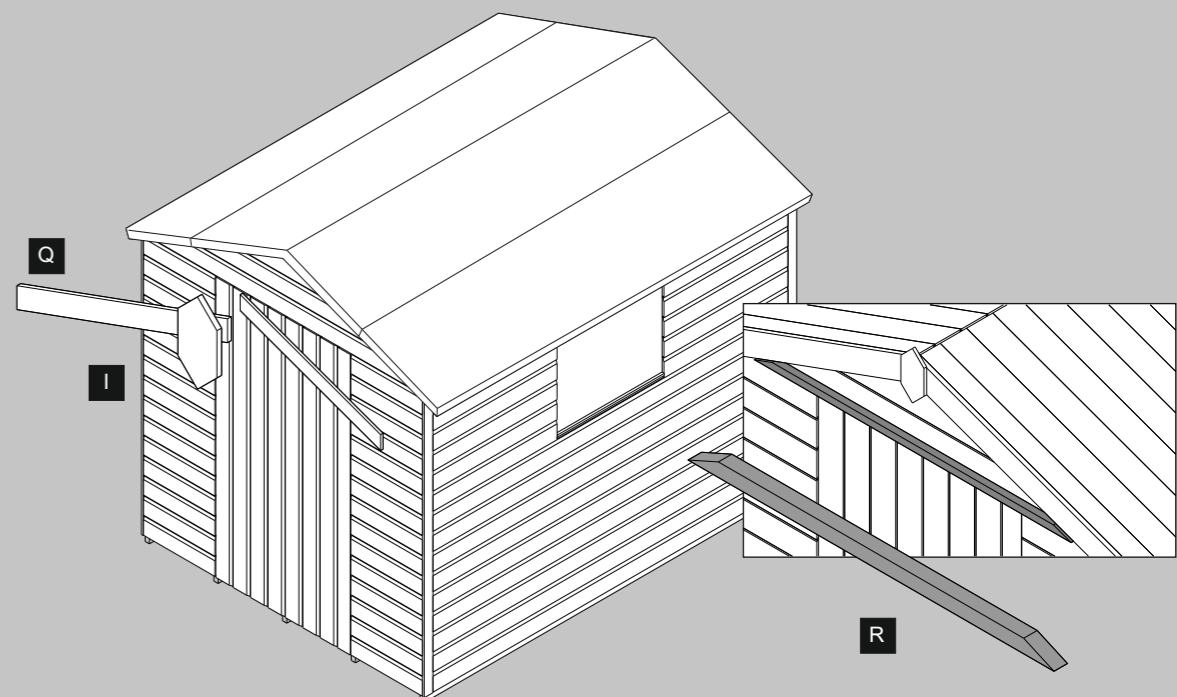


ATTENTION:
1. THE ROOF IS NOT LOAD BEARING
2. TAKE CARE WHEN CUTTING THE ROOF FELT.

Unroll the felt and cut it into three equal lengths. Place a section on each eaves so that there is a 50mm overhang on each edge as shown. Fix this to the roof using felt nails spaced in 150mm intervals. Cut and fold the corners securing with a single felt nail for each.

Place the remaining section as shown making sure that it overlaps the others. Again secure each sheet in place using felt nails spaced in 150mm intervals.

8



Place the barge boards against the ends of the building so that they are flush with the overhang of the roof and in line with the top. Fix each in place using 3x40mm screws.

Place the finials over the join making sure they are centred. Secure in place using 2x40mm screws for each.

Place the Drip Strip against the door end above the door and fix it in place using 3 x 50mm screws.

Biocidal Product Regulation (EU 528/2012) Article 58 Information

This article contains timber treated with Celcure AC-500, incorporating biocidal products to give protection against wood destroying insects & wood rotting fungi.

Contains: Basic copper carbonate (Copper (II) carbonate – Copper (II) hydroxide (1:1)), Boric acid, Benzalkonium chloride.

Wear gloves when handling freshly treated wood. Avoid breathing dust when cutting treated or untreated wood. Dispose of off-cuts responsibly – do not burn.

Maintenance.

Regularly check that all fixings are secure.

Regularly check the quality of the roofing felt and that it is free of holes and splits.