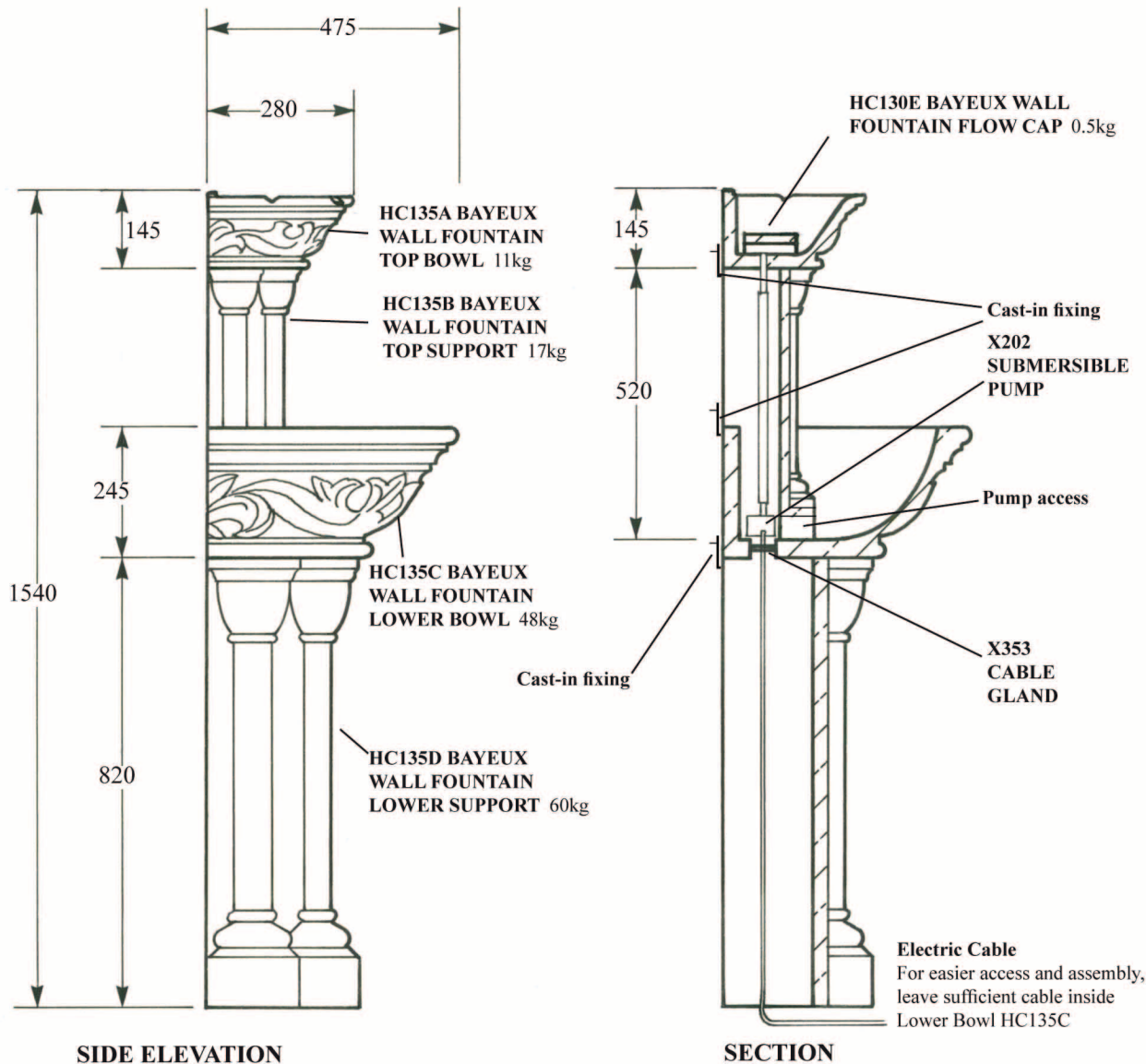


Haddonstone Ltd., The Forge House, East Haddon, Northampton NN6 8DB, UK. Tel: (01604) 770711, Fax: (01604)770027

BAYEUX WALL FOUNTAIN HC135



COMPONENT LISTING:

- HC135A Bayeux Fountain Top Bowl
- HC135B Bayeux Fountain Top Support
- HC135C Bayeux Fountain Lower Bowl
- HC135D Bayeux Fountain Lower Support
- HC130E Bayeux Fountain Flow Cap
- HC130F Bayeux Fountain Pump Cover

WEIGHT

- 11kg
- 17kg
- 48kg
- 60kg
- 0.5kg
- 0.5kg

ASSEMBLY RECOMMENDATIONS:

It is essential that the fountain is sited on a firm and level area. Foundations to suit site conditions and loadings (to be designed by others).

An 8:1 sand/cement bedding mortar should be used to ensure that the weight of the fountain is evenly spread to avoid any pivoting or twisting strain. Allow 6mm for bedding joints.

PLUMBING COMPONENT LISTING:

- X202 Submersible Pump inc pipework
- X353 Cable Gland

Fix HC135D Lower Support, HC135C Lower Bowl and HC135B Top Support to wall with screws and plugs (not supplied) using cast-in fixings.

If required, the Top Bowl HC135A can be secured with silicone. This allows access to the Pump X202 for any future maintenance.

Unless otherwise stated, all materials other than stonework to be supplied by others.

Consult a qualified electrician to ensure electrical supply conforms with all regulations/codes.

CABLE GLAND: Thread electrical cable through gland before positioning the gland in the hole. Tighten bolts until gland is water tight

To guard against frost damage, drain off the water before winter and do not replace until spring when any risk of hard frost has passed.