

# Store More Garden Buildings Ltd.

Edward Merton House, Park Gate Close, Bredbury Park Way, Bredbury Industrial Park,  
Stockport, Cheshire. SK6 2SN

Company Number: 1093320

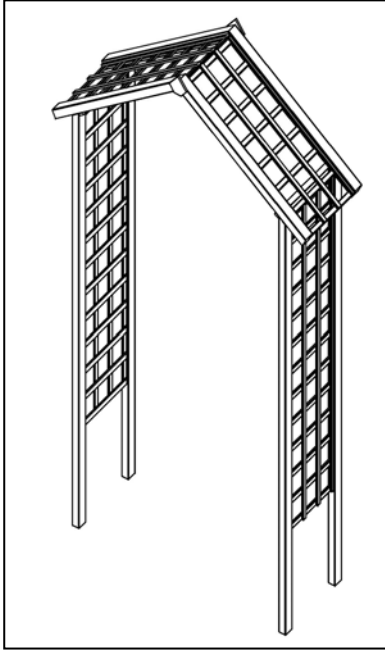
VAT Registration Number: 149 4968 14

Tel: (0161) 430 3347 Fax: (0161) 406 6054 E-mail: Sales@4StoreMore.com

www.shedbaron.co.uk



## ATLAS ARCH ASSEMBLY INSTRUCTIONS



Please ensure that you check all component parts for quantity and quality before you commence building the product.

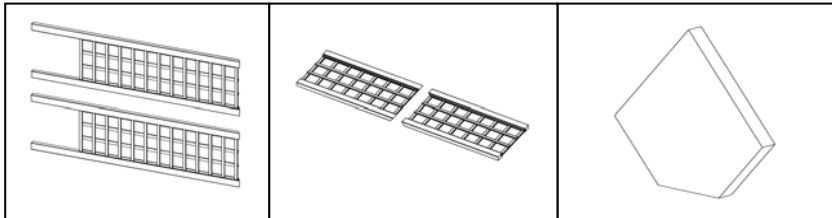
If there are any missing parts, please contact the sales company immediately.

Timber is a natural product. It will shrink and swell as a result of varying moisture content. This product has been pressure treated to ensure protection against all weather conditions. Annual cleaning and re-treatment with a timber preservative will help to prolong the life of the product.

A powerdrill/screwdriver plus tape measure will be required to assemble this product.

### Component supply:

### Screw fixings supplied:



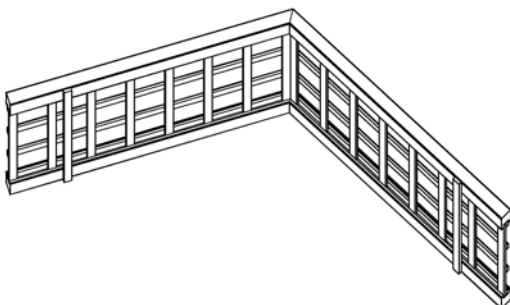
2 x side assemblies

2 x roof sections

2 x finials

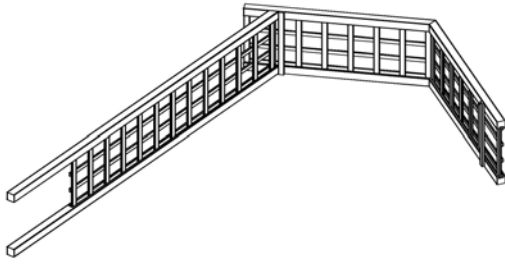
4 x 35mm screws  
6 x 70mm screws

### Stage 1.



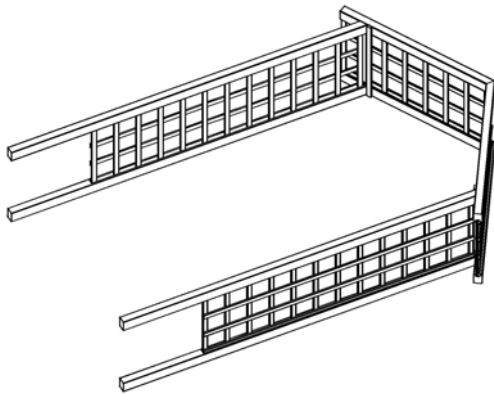
Place the two roof sections together. Secure the roof sections with 2 x 70mm screws ensuring the screws locate into the framing of the roof panel.

Stage 2.



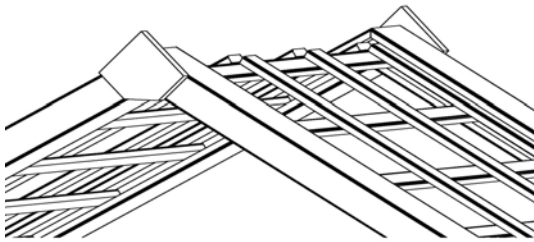
Place the first side panel against the outside edge of the location batten and fix through the top of the roof frame into the side posts using 2 x 70mm screws.

Stage 3.

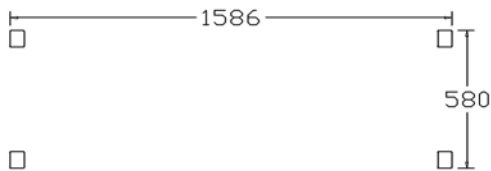


Place the second side panel against the outside edge of the location batten and repeat stage 2.

Stage 4.



Secure the finials each side to cover the joint of the roof sections using 2 x 35mm screws for each finial.



To insert arch into ground prepare the 4 post Holes to the dimensions shown.