

Security Apex Fitting Instructions

The floor will comprise boards fixed to bearers. It is simply laid in place and will be held there by the weight of the shed. Check with a spirit level that the base is horizontal.

Check each panel to ensure you will be fixing them in their correct positions - doors and windows in the right place.

The panels are joined to each other through pre-drilled holes, using 80mm coach screws. It is usual to start with a side and back panel, then to add the other side panel, and finish with the door section. The action of tightening the screws draws the wall panels together. Subsequent panels are secured to each other.

The wall panels are secured to the floor joists using 60mm screws. If nails, knock them in at an angle (skew nailing).

Once the walls are erected, fit the roof. The panel or panels are usually fixed to the walls with 40mm screws.

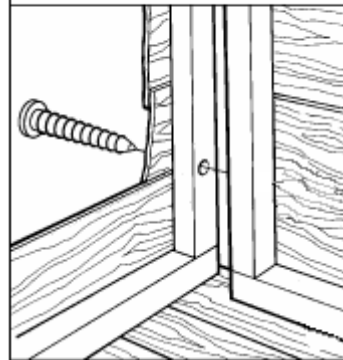
The base is laid and checked for level



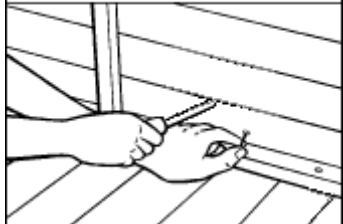
Have a helper raise the panels into place



Screws or nails are used to join the panels



Panels are nailed to the base

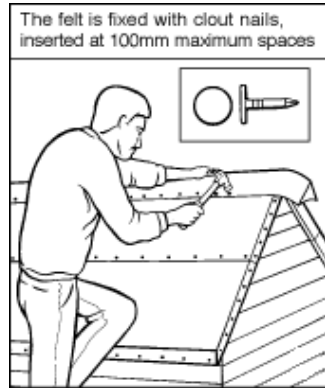


The roof is lifted into place and fixed to the bearers

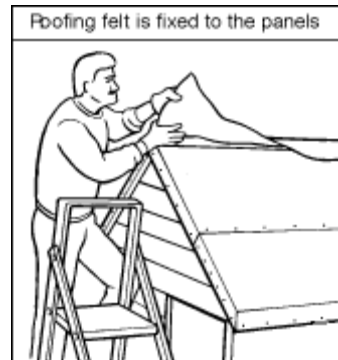


On the inside of your buildings there are roof spars that meet in the middle, fix these together using the triangle shaped roof ties using 4no. 40mm latt nails. This will help secure the roof and stop it from sagging.

Cover the roof panels with strips of felt, overlapping approximately 150mm. These are always fixed from the lowest part of the roof, working upwards (1). This ensures that rainwater running down the roof does not seep under overlapping edges. Clout nails are used to secure the felt (2).



1



2

Place the corner laths provided in the kit bag on all four corners of the building to cover the end grain of the timber (please note, these may be slightly longer and need trimming), then place the fascia's on the outer side of the roof (covering the end piece of felt) with the 40mm latt nails provided, locate the diamond into place (usually centre above the door) once the fascia's are on.

The holes for the security bolted hinges are pre-drilled. Push the bolts into the pre-drilled holes they may need knocking in so that they sit flush to the hinges. On the inside of the hinge fit a washer and a nut to each bolt and tighten. Fit padbolt protector in the same way as the hinges as these are also pre-drilled.

If applicable: Finally glaze the window from the inside, and fix securely with the window latts provided and fix down with the nails (already in the beading). Once done run a line of silicone sealant (not supplied) around each window on the outside to stop any leaks from occurring.

Please note: We suggest the building is treated within one month of installation and every year thereafter, the floor should be well ventilated from underneath, also in time the roofing felt may need replacing, doing all this should prolong the life of the building.