

Store More Garden Buildings Ltd.

Edward Merton House, Park Gate Close, Bredbury Park Way, Bredbury Industrial Park,
Stockport, Cheshire. SK6 2SN

Company Number: 1093320

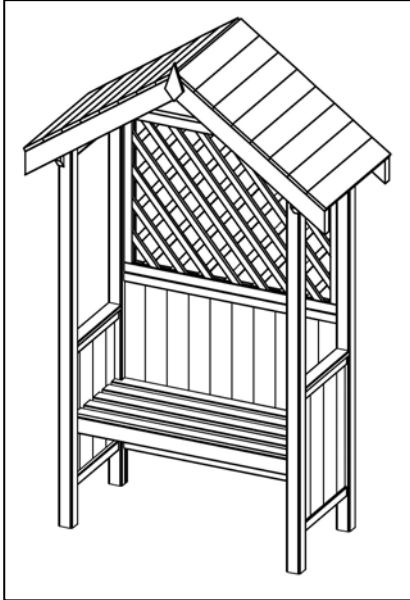
VAT Registration Number: 149 4968 14

Tel: (0161) 430 3347 Fax: (0161) 406 6054 E-mail: Sales@4StoreMore.com

www.shedbaron.co.uk



ARTEMIS ASSEMBLY INSTRUCTIONS



Please ensure that you check all component parts for quantity and quality before you commence building the product.

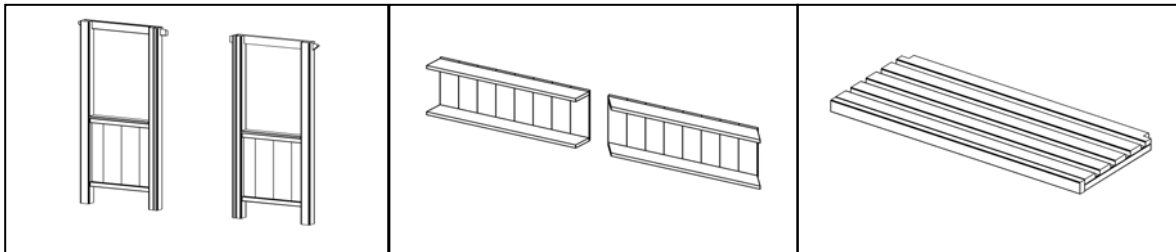
If there are any missing parts, please contact the sales company immediately.

Timber is a natural product. It will shrink and swell as a result of varying moisture content.

This product has been pressure treated to ensure protection against all weather conditions. Annual cleaning and re-treatment with a timber preservative will help to prolong the life of the product.

A powerdrill/screwdriver plus tape measure will be required to assemble this product.

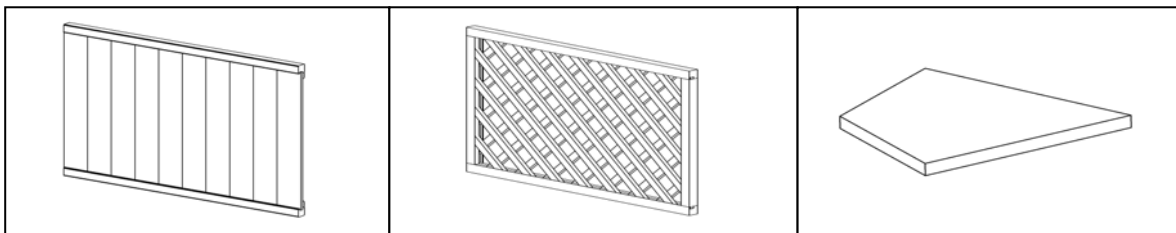
Component supply:



2 x side assemblies

2 x roof sections

1 x seat assembly



1 x back wall assembly

1 x trellis assembly

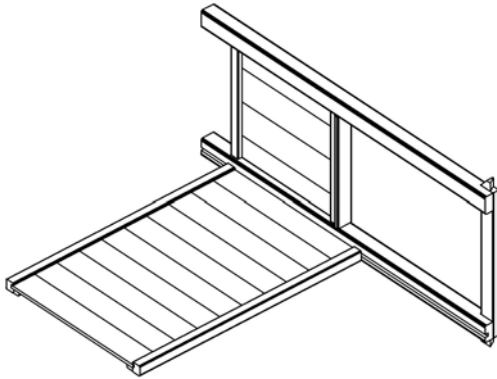
1 x finial

Screw fixings supplied:

- 18 x 35mm screws
- 6 x 50mm screws
- 4 x 70mm screws
- 4 x 120mm screws
- 2 x metal plates

A 'GARDEN TECHNOLOGY' PRODUCT FROM ESTONIA
TIMBER SUPPLIED FROM SUSTAINABLE FOREST RESOURCES

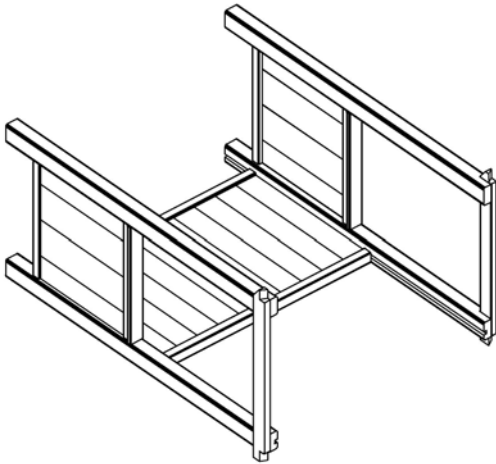
Stage 1.



Slide the rear wall into the slots in the side panel 698mm down from the top of the roof support and fix with 2 x 120mm screws through the post and into the top and bottom beams of the wall.

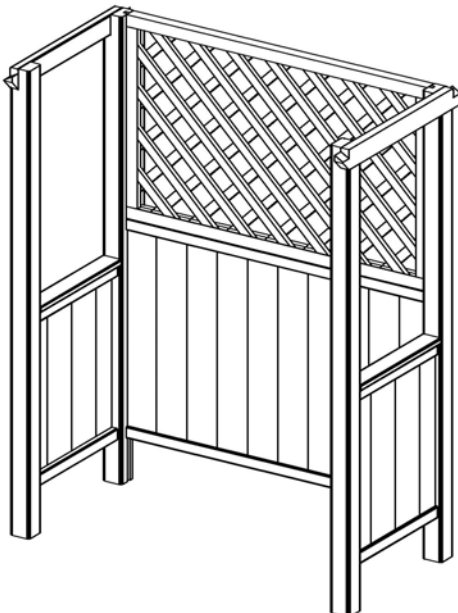
NB. Ensure the fixing supports on the rear wall are facing the outside of the arbour.

Stage 2.



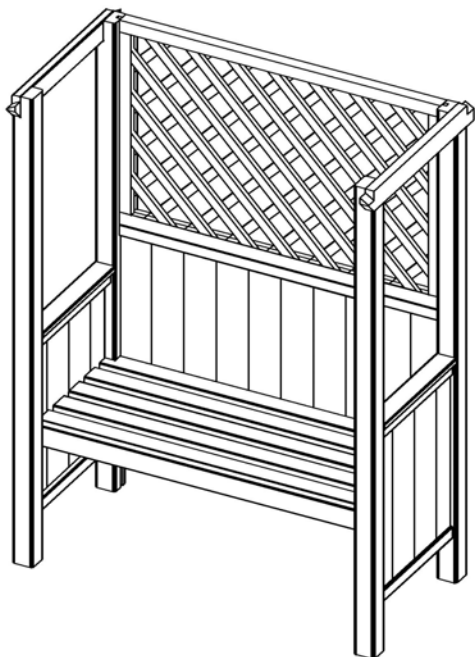
Push the second side panel so the rear wall fits into the slot and repeat stage 1.

Stage 3.



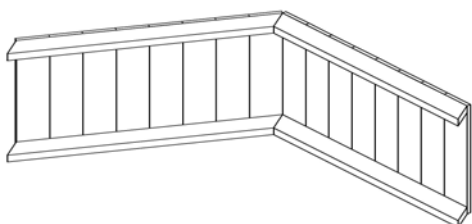
Stand upright, then fit the trellis panel ensuring the rounded edges of the trellis beams are facing inside of the arbour. Make sure the trellis panel frame is level with the rear wall frame then fix through the trellis frame into the posts and wall frame using 6 x 50mm screws.

Stage 4.



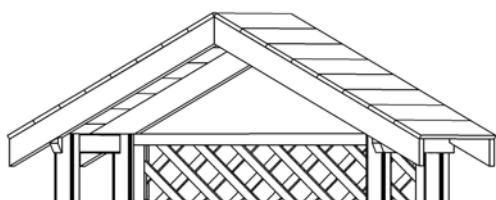
Push the seat into place with the notched corners at the back so it rests on the metal brackets and fix from underneath using 2 x 35mm screws for each bracket.

Stage 5.



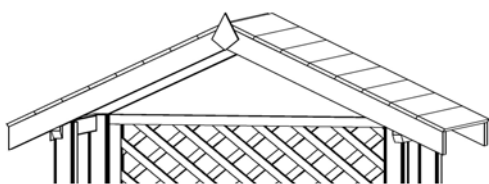
Place the 2 roof panels together and fix on the inside using the metal plates. Use 4 x 35mm screws for each metal plate.

Stage 6.



Lift the assembled roof so it sits on the rebated roof supports. Ensure each side has equal overhang, then fix through the roof frame and into the roof support beams. Secure using 1 x 70mm screw in each corner.

Stage 7.



Secure the finial to cover the joint of the roof sections at the front of the arbour using 2 x 35mm screws.