

**Before assembly**

- We recommend that time is taken to read the instructions before starting assembly, then follow the easy step by step guide. The instruction sheet is only a guide to the assembly. Certain items may not be shown to scale.
- Check all components prior to assembly.
- This product should be assembled by no less than two people.
- Some of the components may have sharp edges wear protective work gloves while handling components.
- Never attempt to erect the assembly in high winds.
- Drill components where indicated.



**Recommended tools for assembly**

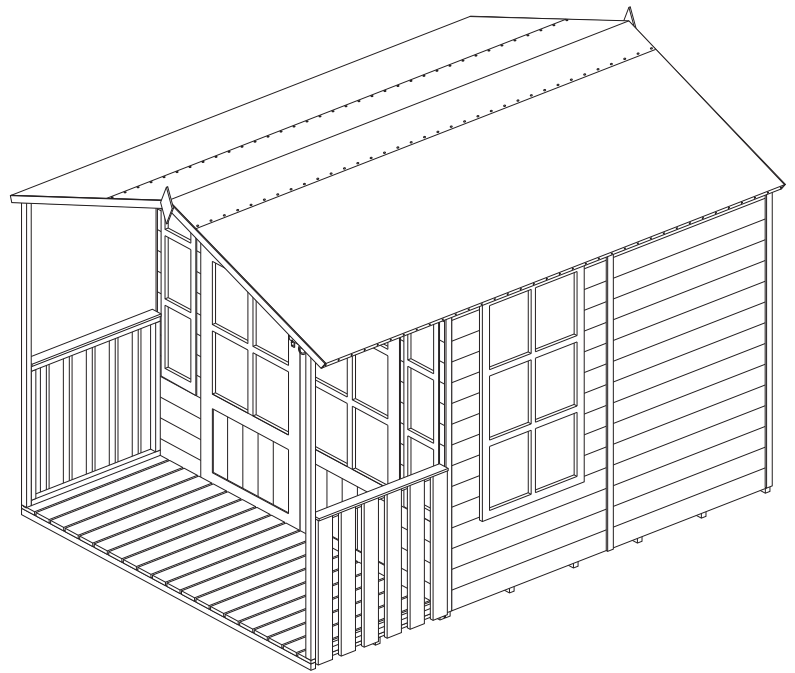
- Cordless drill/screwdriver
- 2mm diameter drill bit
- 12mm diameter drill bit
- Hammer
- Sharp knife
- Hacksaw
- Spirit level
- Silicon sealant
- Step ladder

**Dimensions**

Overall external  
Height = 2220mm  
Width = 2130mm  
Depth = 3050mm

Footprint  
Width = 1980mm  
Depth = 2905mm

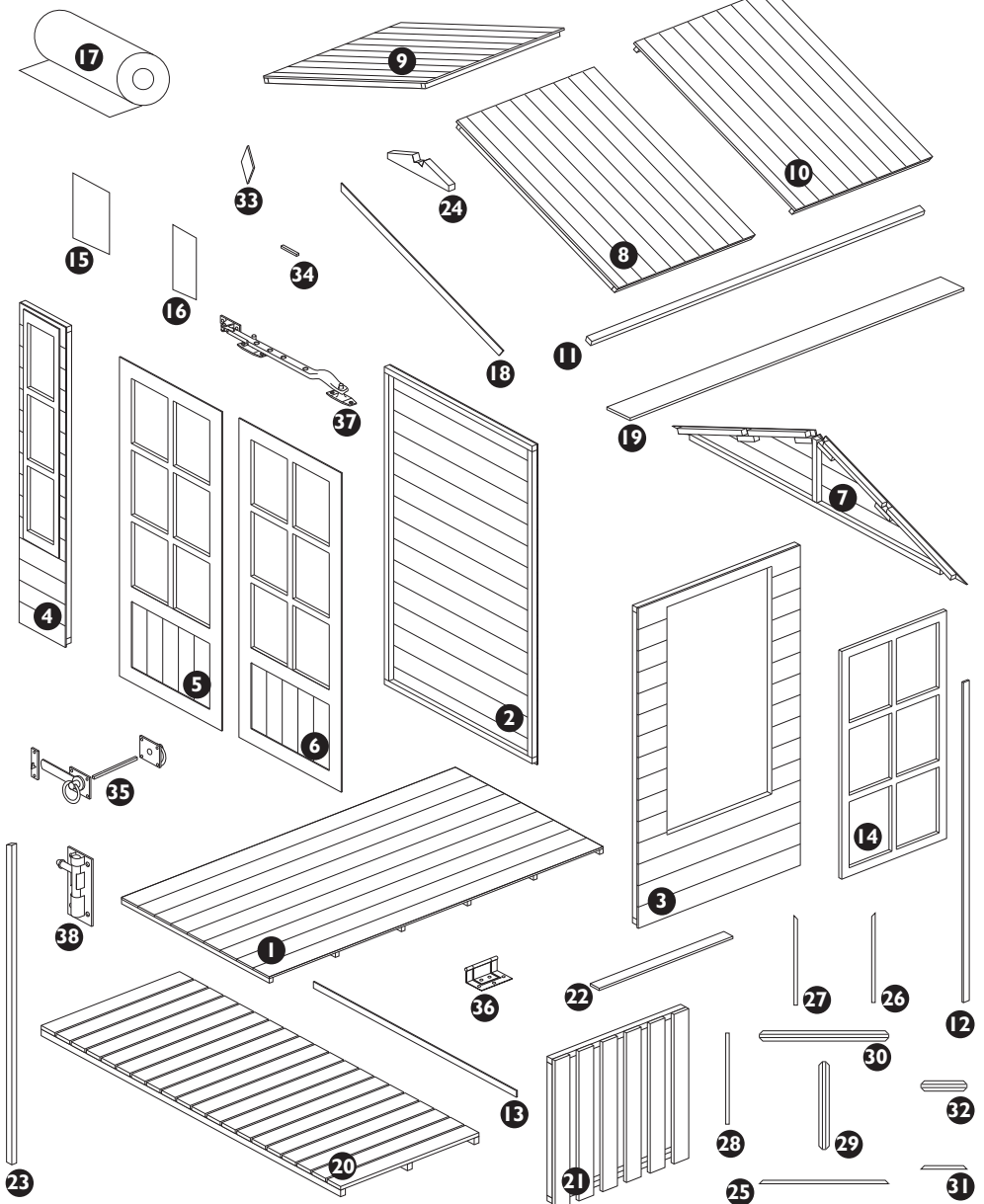
Min. base area  
Width = 2080mm  
Depth = 3005mm



No.	Components	Qty.
1	Floor sections	2
2	Plain wall panels	4
3	Window side panel	2
4	Front panels	2
5	Left door	1
6	Right door	1
7	Apex panels	2
8	Front right/back left roof panel	2
9	Front Left/back right roof panel	2
10	Middle roof panel	2
11	Roof purlins (36 x 29 x 2050mm)	4
12	Coverstrip (48 x 12 x 1690mm)	7
13	Kick strip (38 x 12 x 1360mm)	1
14	Window	2
15	Glazing (370 x 264mm)	24
16	Glazing (190 x 370mm)	6
17	Roof felt roll (10m)	1
18	Bargeboards (48 x 12 x 1150mm)	4
19	Apex cover (110 x 12 x 1990mm)	1
20	Verandah floor	1
21	Verandah fence	2
22	Verandah fence hand rail	2
23	Verandah roof support uprights	2
24	Verandah roof gusset	1
25	Door/window bead top/bottom (14x10x555mm)	8
26	Door/window bead TR/BL* (14x10x380mm)	12
27	Door/window bead TL/BR* (14x10x380mm)	12
28	Door/window bead middle (14x10x390mm)	12
29	Door/window vertical spar (44x10x360mm)	12
30	Door/window horizontal spar (44x10x537mm)	8
31	Small window bead top/bottom (14x10x195mm)	4
32	Small window horizontal spar (44x10x537mm)	4

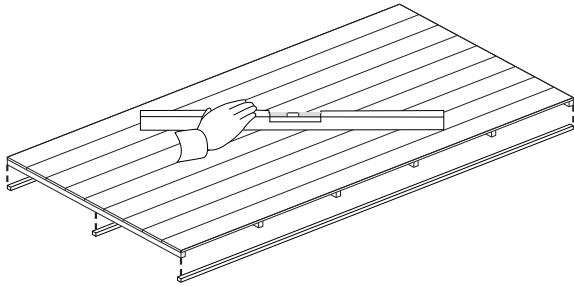
\*TR/BL = Top right/bottom left  
TL/BR = Top left/bottom right

No.	Fixing Kit	Qty.
33	Finials	2
34	Door frame beading (10 x 10 x 100mm)	1
35	Latch door handle kit	1
36	Hinges	10
37	Window stay (Brown)	2
38	Tower bolts	2
39	60mm screws	10
40	50mm screws	55
41	35mm screws	42
42	25mm screws	62
43	19mm round head screws	8
44	19mm black round head screws	10
45	40mm nails	41
46	25mm panel pins	216
47	10mm felt nails	152



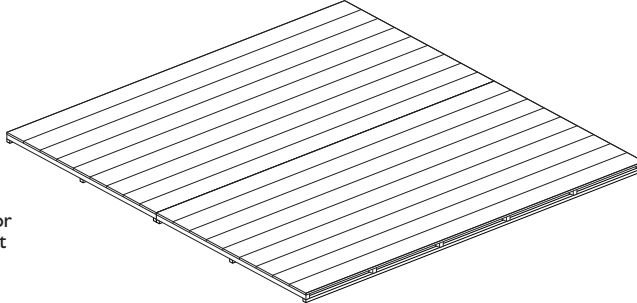
## 1. Floor

Prepare a level area for the summerhouse to sit. Attach three wooden or similar bearers of size 50 x 50 x 2050mm to each of the floor sections (not supplied in kit). Place the two sections in position butted up next to each other. Attach four wooden or similar bearers of size 50 x 50 x 840mm to the verandah floor.



### Important

When laying the floor, it is important to note the T&G floor boards must run from the front of the building to the back.



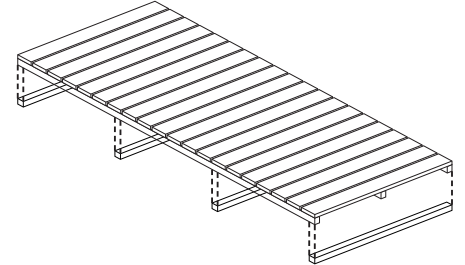
### Important note

To "VALIDATE" the guarantee, adequate provision must be made to ensure ground contact is avoided and air is able to circulate underneath the building.

Placing the building on a concrete pad or slab base is acceptable provided that the building is not allowed to sit in pooled water during wet conditions.

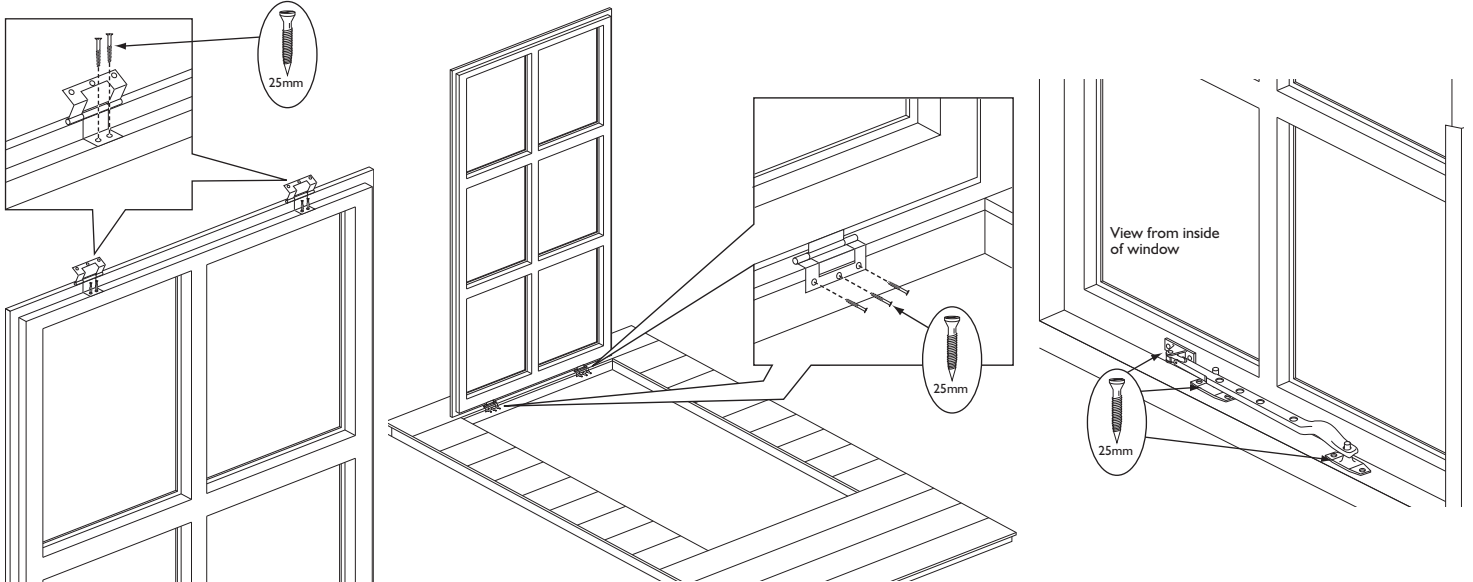
If the building is to sit on soil or grass it **MUST** be erected on pressure treated wooden 50mm x 50mm or similar bearers (**These are not supplied in the kit**).

Rowlinson Garden Products recommend using pressure treated bearers with all buildings on any type of base.



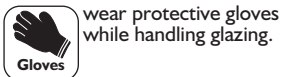
## 2. Fitting the windows

Lay the window panel on the floor. Fit two hinges in the rebates on the top of the window as shown in the diagram using 2 x 25mm screws per hinge, stand the hinge end of the window on the window panel, making sure it is centred at the top of the window opening. Open the hinges and secure them to the window frame using 3 x 25mm screws per hinge. On the inside of the window panel fit the window stay and its two posts using 6 x 25mm screws as shown in the diagram.



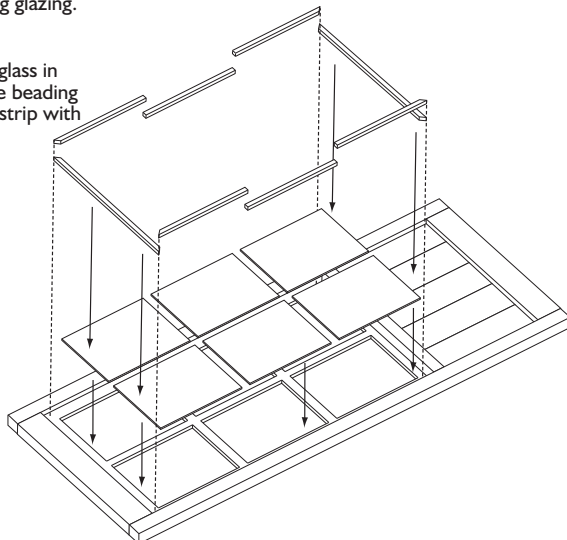
## 3. Glazing

Lay the doors and window panels on the ground. Working on one panel at a time, apply a small amount of waterproof silicon sealant around the edge of each piece of glazing before placing the window panes into the frames. When all glass is in place, fit the beading into position. Fit the outer edges first, then the horizontal spars and for the doors and large windows, fit the three vertical centre spars. Attach each beading and spar pieces with 3 x 25mm panel pins.

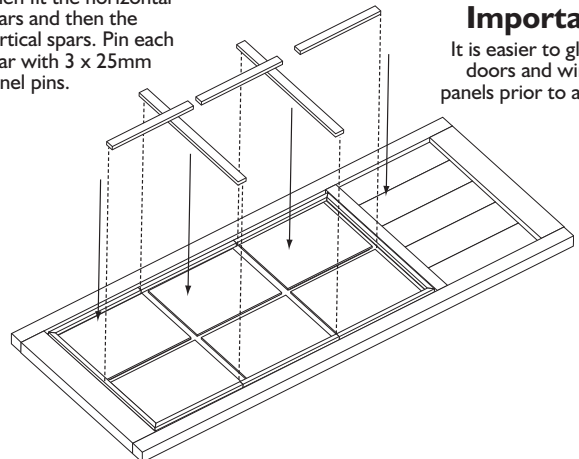


wear protective gloves while handling glazing.

Fit the glass. With the glass in place fit the outer edge beading first. Pin each beading strip with 3 x 25mm panel pins.



Then fit the horizontal spars and then the vertical spars. Pin each spar with 3 x 25mm panel pins.



### Important

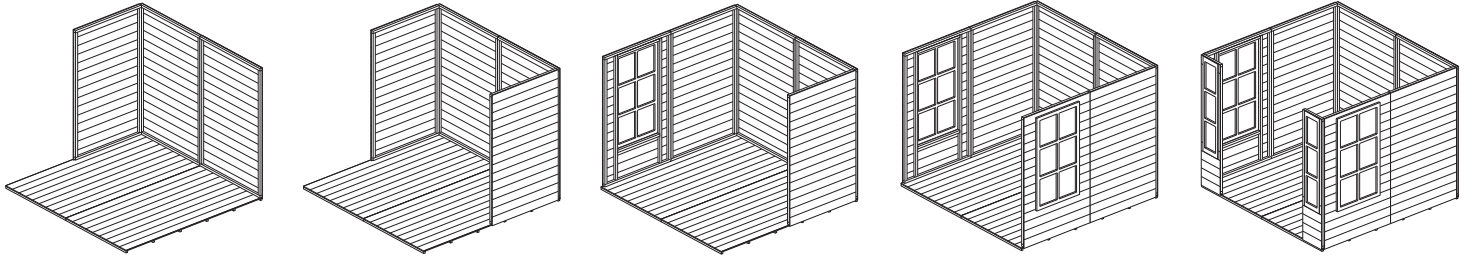
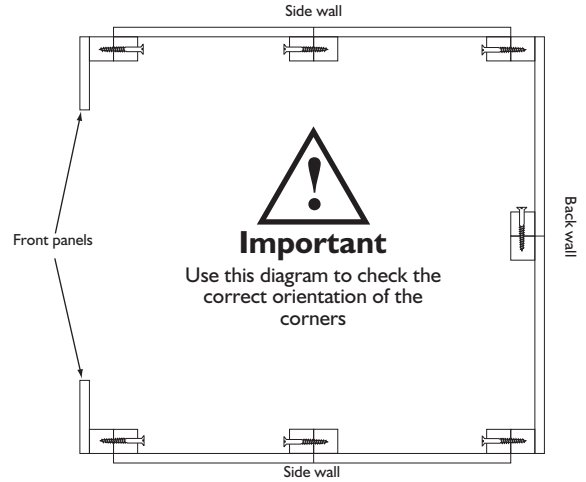
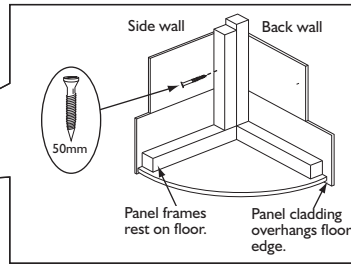
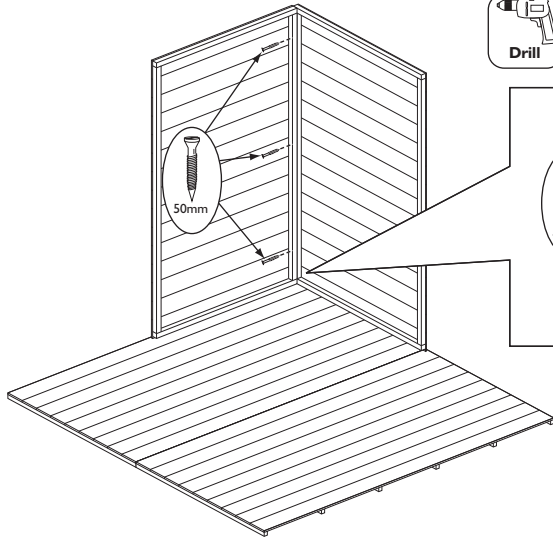
It is easier to glaze the doors and window panels prior to assembly.

#### 4. Wall panels

Position two plain panels on the corner of the floor as shown. Note how the panel frames sit on the floor with the panel cladding overhanging the floor edge. Ensure square, secure the two panels together using 3 x 50mm screws. Screw through the frame of the side wall panel into the frame of the back wall panel. Place a third plain panel along the back wall, push it up against the other panel and with the two panels level secure together using 3 x 50mm screws through the frame of the first panel into the frame of the second. Continue adding the rest of the panels following the diagrams below.

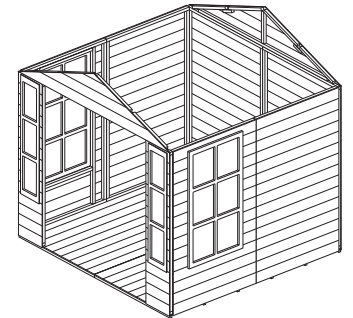
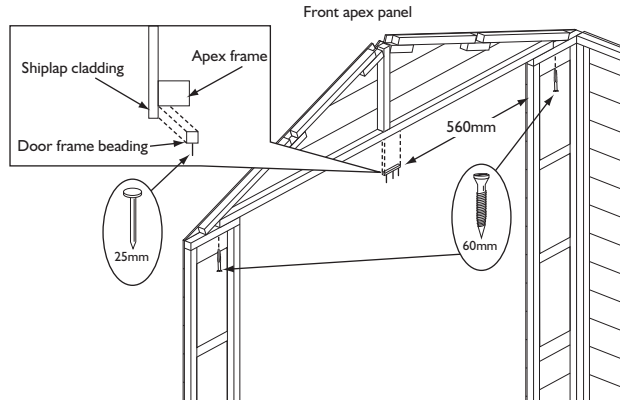
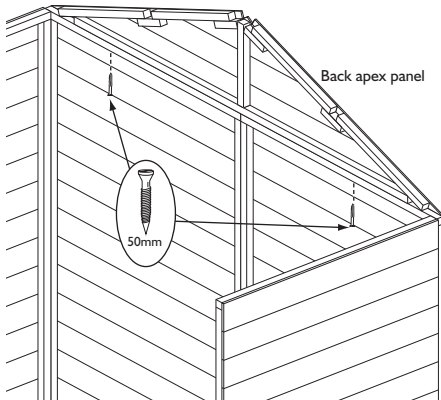


It is recommended to drill pilot holes for these screws with a 2mm drill bit before assembly.



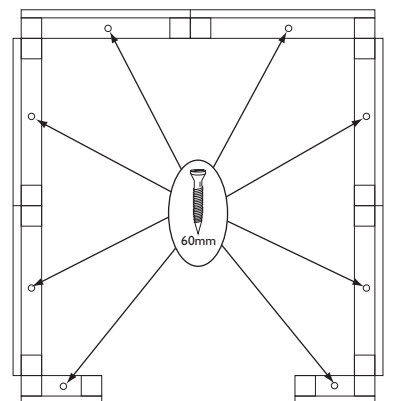
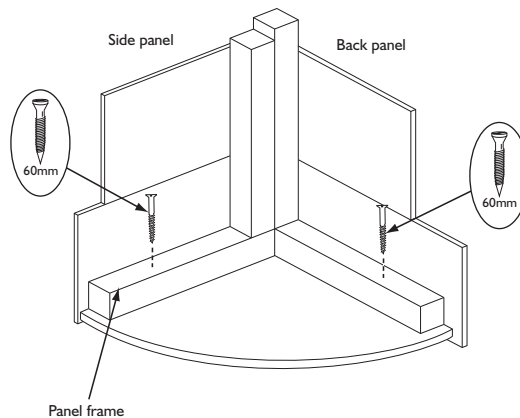
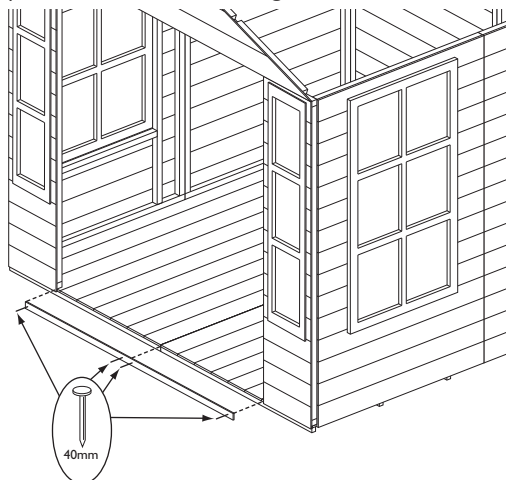
#### 5. Apex panels

Place an apex panel on top of the back wall, make sure the bottom shiplap board of the apex panel fits correctly into the shiplap board of the back wall. Secure using 2 x 50mm screws, screw up through the top frame of the back wall into the bottom frame of the apex panel. Fit the front apex in the same way using 2 x 60mm screws. Attach to the front apex the door frame beading using 3 x 25mm nails. Secure it to the bottom of the framing, up against the cladding 560mm from the left-hand front panel as shown below.



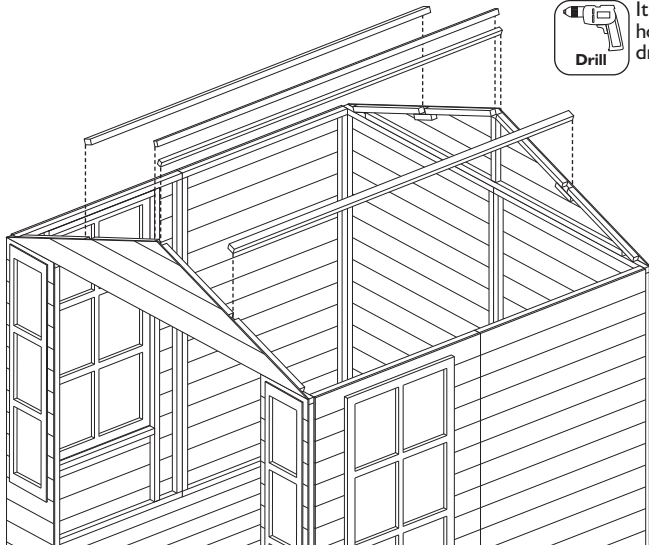
#### 6. Securing walls to floor

Fit the kick strip centrally to the bottom of the door opening using 4 x 40mm nails. Ensure the panels are sitting square on the floor. Secure them by screwing through the panel frames into the floor using 8 x 60mm screws.

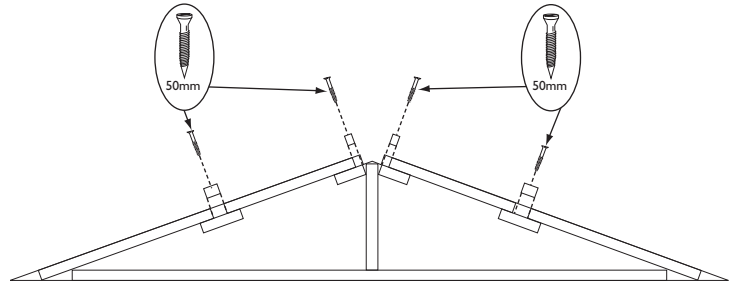


## 7. Roof purlins

Insert the four roof purlin into the rebates in the apex sections. Fix in place at the ends of the purlin, using 2 x 50mm screws per purlin. Screw through the purlin and into the frame of the apex panels.

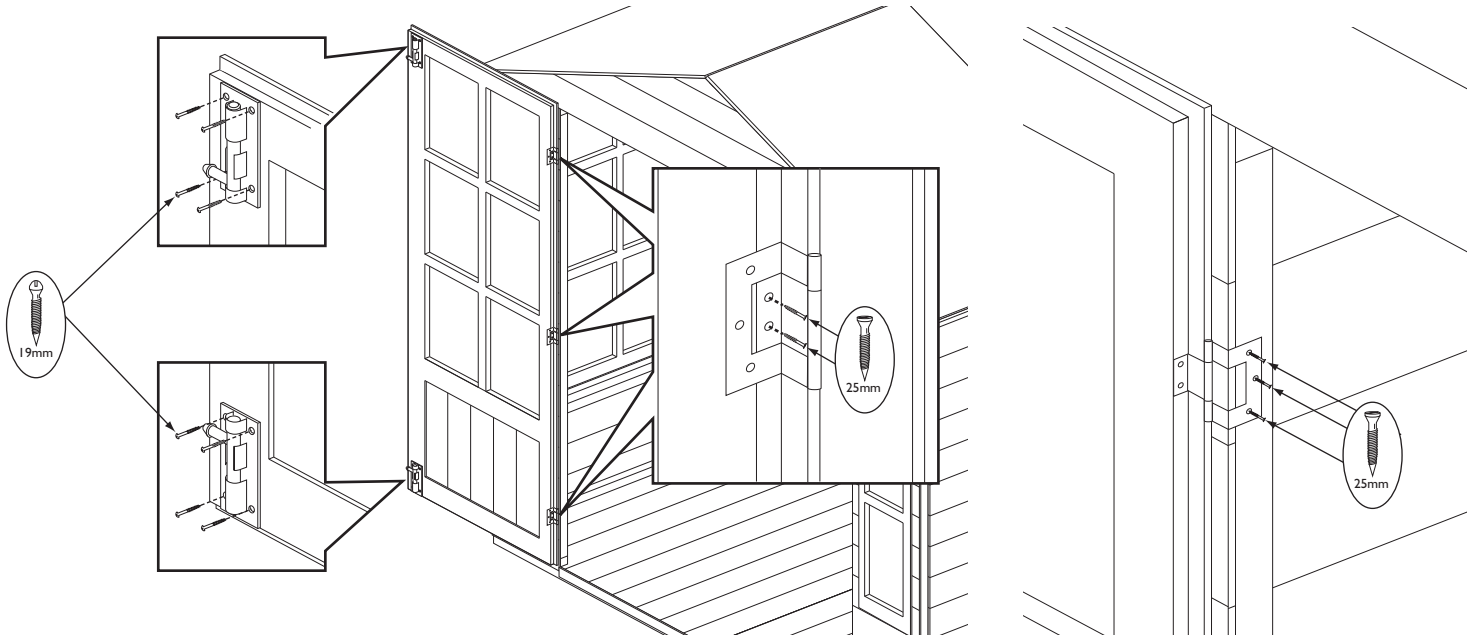


It is recommended to drill pilot holes for these screws with a 2mm drill bit before assembly.



## 8. Hanging the doors

Fit three hinges to the long rebated edge of each door. Position them 150mm from the ends and one centrally between the other two. Attach each hinge using 2 x 25mm screws per hinge. Open the hinges and fit them around the door frame, adjust the door to the correct height and fix the hinges to the door frame using 3 x 25mm screws per hinge. Attach the tower bolts to the inside of the left door as shown using 4 x 19mm round head screws per bolt.

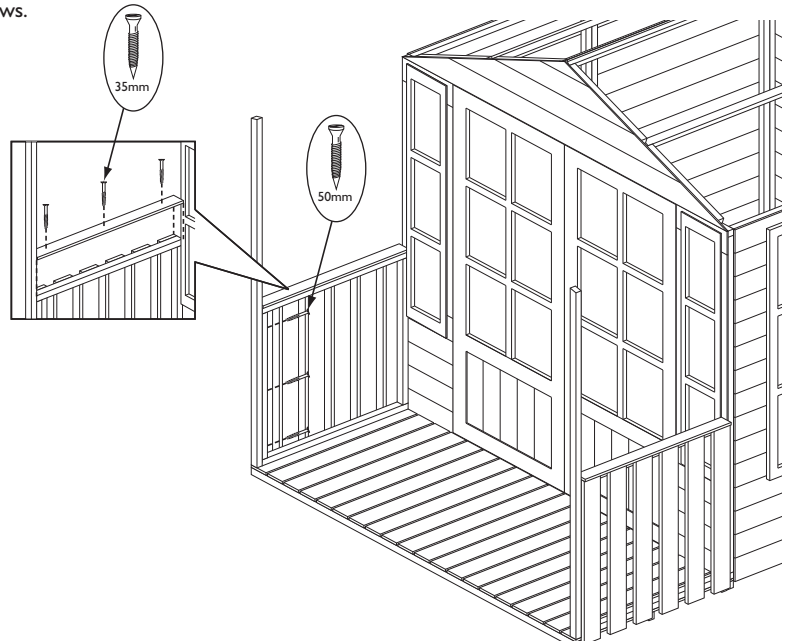
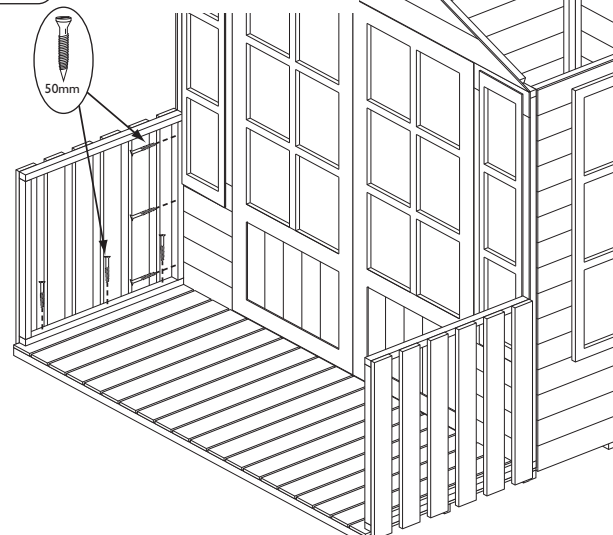


## 9. Verandah

Lay the verandah floor butted centrally up against the front of the building. Position a verandah fence at each end with the fence frames sitting on the verandah floor and the railings overhanging the floor edge. Secure the fence to the front of the building using 3 x 50mm screws. Use 3 x 50mm screws to attach each fence to the floor. Fix a verandah roof support to the end of each fence using 3 x 50mm screws per support, ensure the angled end of the support is at the top and is angled in the same direction as the roof. Place a hand rail on top of each fence and secure down using 3 x 35mm screws.



It is recommended to drill pilot holes for all screws in this section with a 2mm drill bit.

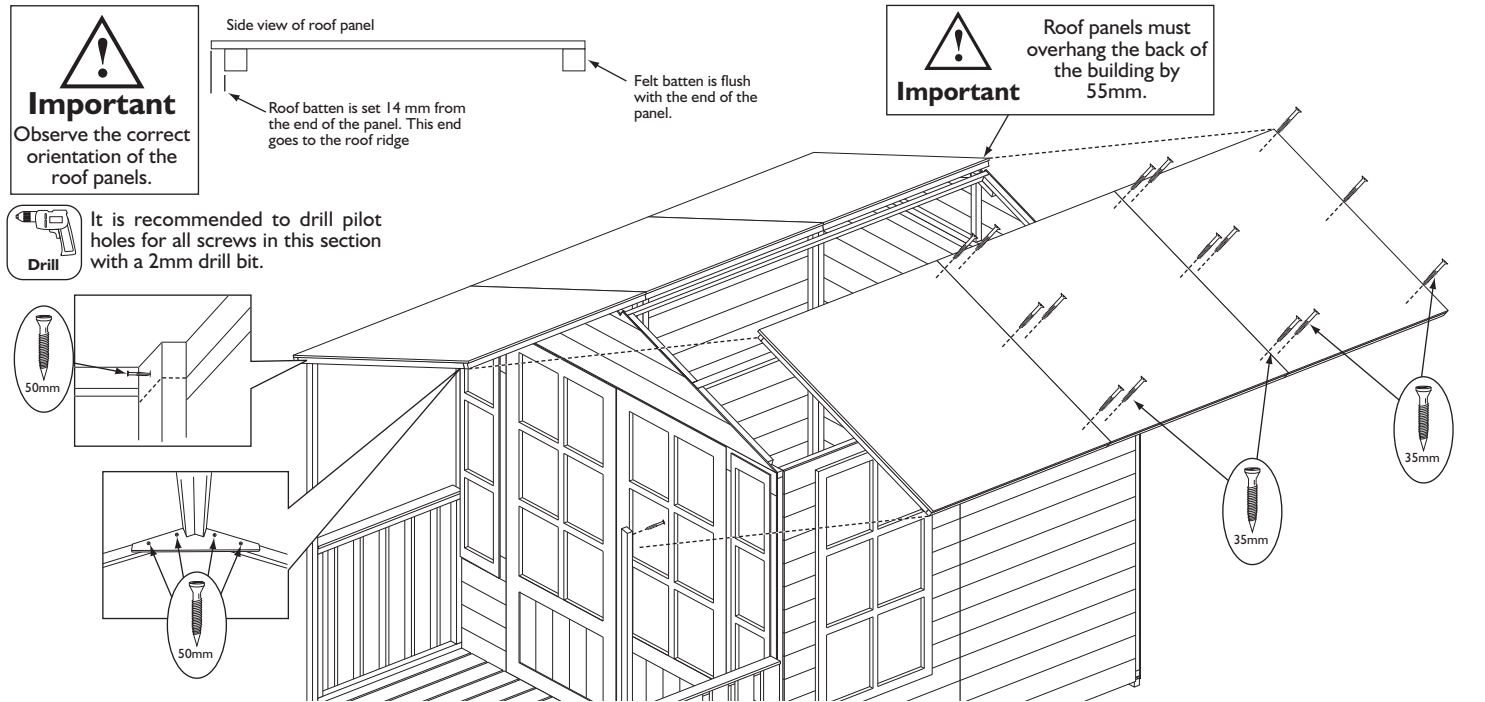




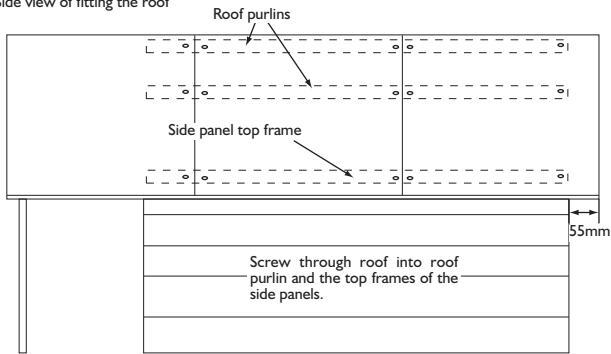
## 10. Roof

Lift a rear roof panel into position at the back of the building, hooking the roof batten over the upper roof purlin. Ensure this panel overhangs the back of the building by 55mm, secure to the two roof purlins and the top frame work of the side walls using 6 x 35mm screws. Working towards the front of the building, hook a centre roof panel over the upper purlin and with it pushed right up against the first panel secure in the same way. Add the front roof panel overhanging the veranda secure down with 3 x 35mm screws into the purlins. Secure the veranda roof supports using 1 x 50mm screw per support, screw through the support into the roof rafter, ensuring the support is vertical using a spirit level. Attach the three roof panels for the other side of the roof in the same way.

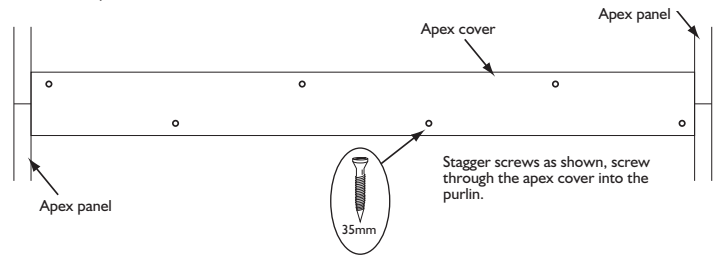
Fit the veranda roof gussets on the inside of the veranda roof to the roof rafters as shown. Attach the gusset using 4 x 50mm screws, screwed through the gusset into the roof rafters. Inside the building fit the apex cover to the two centre purlins using 6 x 35mm screws.



Side view of fitting the roof

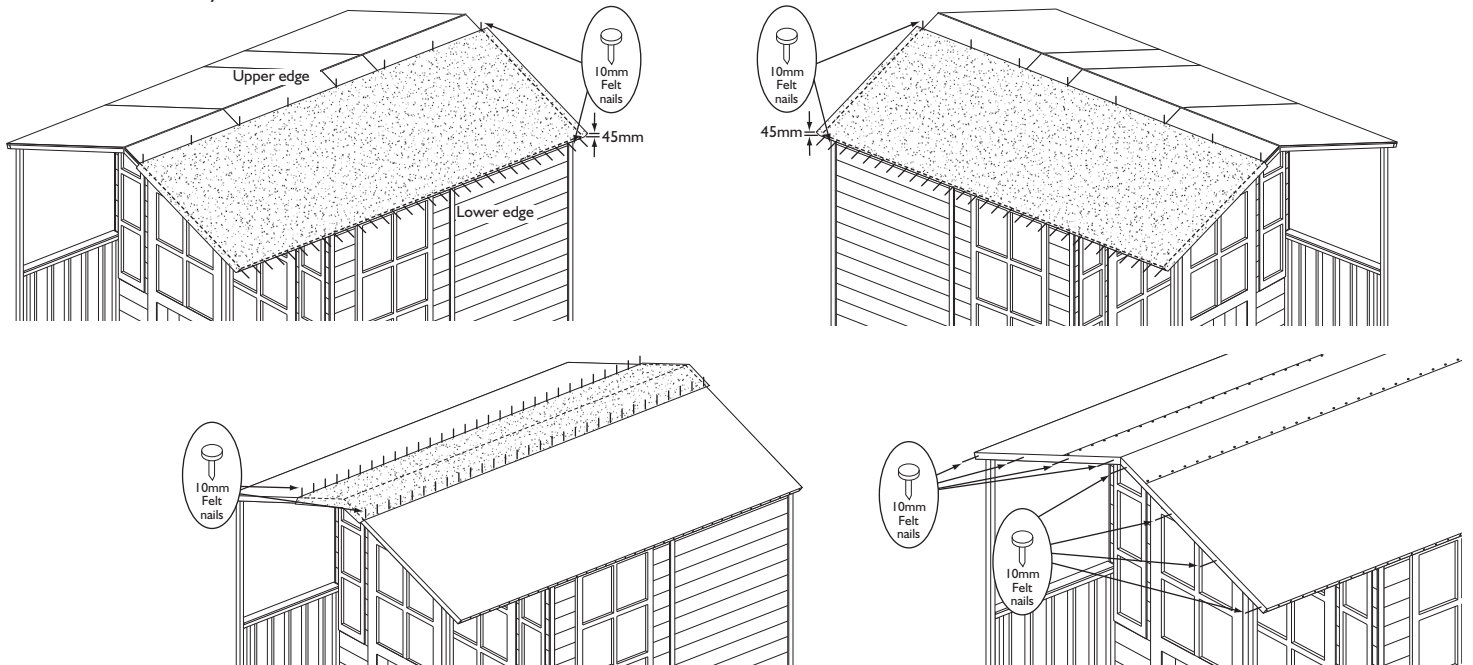


View from inside the building looking up at the roof apex



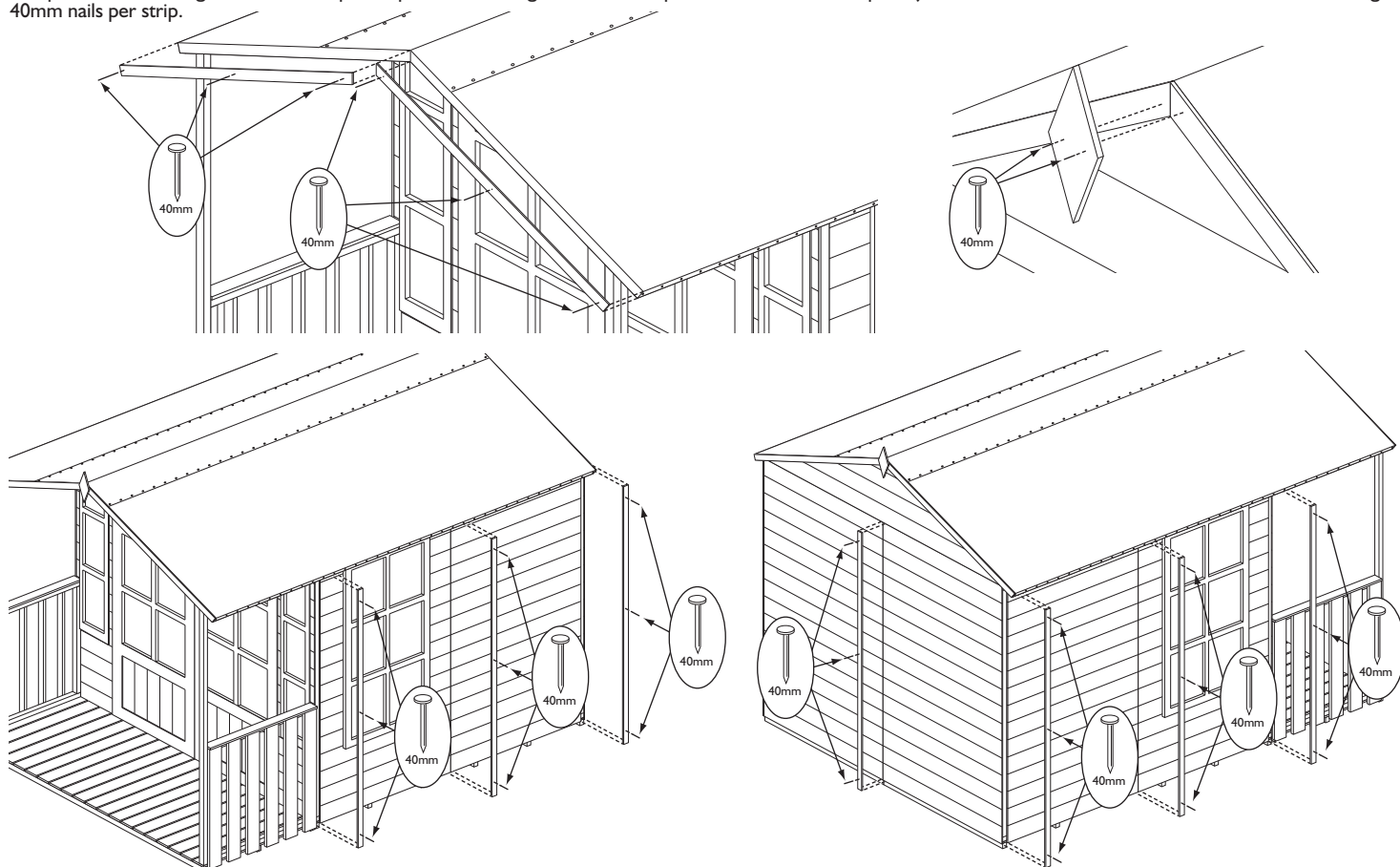
## 11. Roofing felt

Cut the roofing felt roll into three equal lengths. Place a length over half of the roof. At the front and along the lower edge of the roof leave an overhang of felt of at least 45mm. Fold down the felt along the lower edge and secure to the felt batten using 30 x 10mm felt nails evenly spaced. Tension the felt over the roof and secure along the upper edge using 8 x 10mm felt nails. Repeat this for the second piece of felt on the other half of the roof. Once the two pieces of felt are in place take the third piece of felt and place over the apex of the roof making sure it sits centrally over the roof ridge and overlaps the other two felt pieces, attach using 30 x 10mm felt nails evenly spaced along the two long edges of the ridge felt. Dress down the ends of the felt and at the front and back of the building attach to the roof panel framing with 8 x 10mm felt nails. Once secured trim off any excess felt.



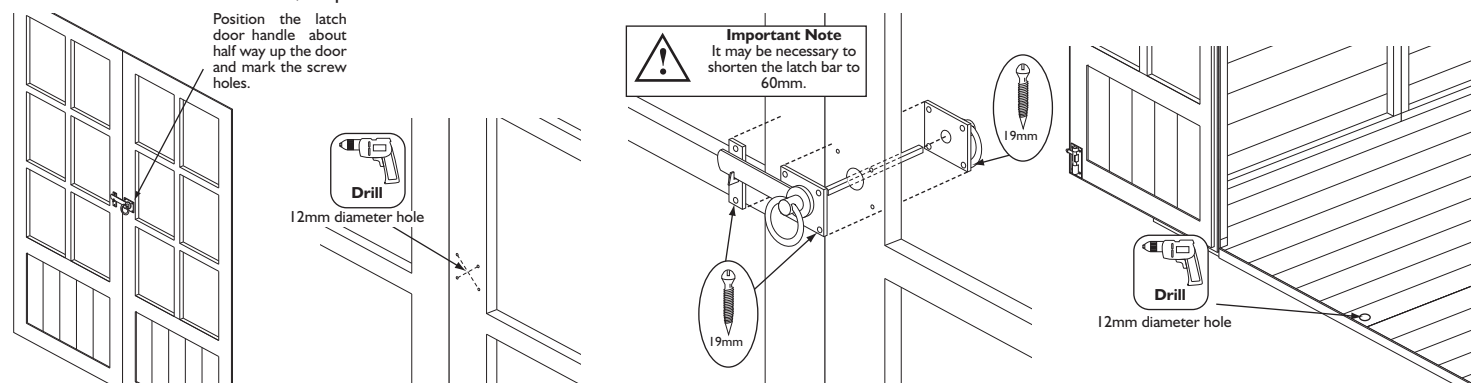
## 12. Bargeboards, finials and coverstrips

At the front and rear of the building attach two bargeboards. Have the top edges flush with the roof line and the two boards meeting in the middle at the apex of the roof secure using 3 x 40mm nails per board. Fit a finial centrally over the join between the bargeboards use 2 x 40mm nails per finial. Fit a Coverstrips into each corner of the wall panels, attach using 3 x 40mm nails per strip. The remaining three coverstrips are used to cover the panel joins, one on each side and one on the back, attach using 3 x 40mm nails per strip.



## 13. Latch door handle

Position the Latch door handle about half way up the door as shown in diagram. Mark the position of the holes on the door. Remove the latch and draw two lines connecting opposite corners, drill a 12mm diameter hole where the two lines cross. Put the latch bar in the hole on the back of the latch, then reposition the latch (putting the bar through the drilled hole) and attach using 4 x 19mm black screws. On the other side of the door fit the inside door handle to the bar and then using 4 x 19mm black screws attach the handle to the door. On the front of the other door position the latch holder so that it holds the latch horizontal. Once in position attach to the door with 2 x 19mm black screws. With the doors shut, drop the lower tower bolt and mark where it touches the floor. Drill a 12mm hole in the floor for the bolt to fit in.



## Important information

Shiplap buildings come ready stained but this is only a preparatory treatment. To **VALIDATE** the guarantee, the building must be properly treated with a recognised external wood preserver **WITHIN 3 MONTHS** of assembly and **RE-TREATED ANNUALLY** thereafter. The building must also be erected on 75mm x 50mm treated wooden or similar bearers (These are not supplied with the kit.) Ground contact must be avoided.

### Timber Information.

As timber is a natural material, there are certain weather conditions that may affect the materials properties. In times of excessive dry spells the material may lose some of its internal moisture causing a certain degree of shrinkage on a panel and in periods of excessive rain there will be a certain amount of swelling throughout the wooden panels. This process can not be avoided. If you have problems with certain boards shrinking in dry spells try to decrease the amount of direct sunlight on the building or the amount of air passing over the building. During hot spells spray water directly onto the panels with the aid of a garden hose.

If in doubt of any aspect regarding the assembly, use or safety of your summerhouse please contact us :

**Help Line: (Normal Office Hours) 01829 261 121**

**Email: support@rowgar.co.uk**

ROWLINSON GARDEN PRODUCTS LIMITED  
Green Lane  
Wardle Nr. Nantwich  
Cheshire  
CW5 6BN  
[www.rowgar.co.uk](http://www.rowgar.co.uk)

We constantly improve the quality of our products, occasionally the components may differ from the components shown and are only correct at time of printing. We reserve the right to change the specification of our products without prior notice.

2015 © Rowlinson Garden Products Ltd