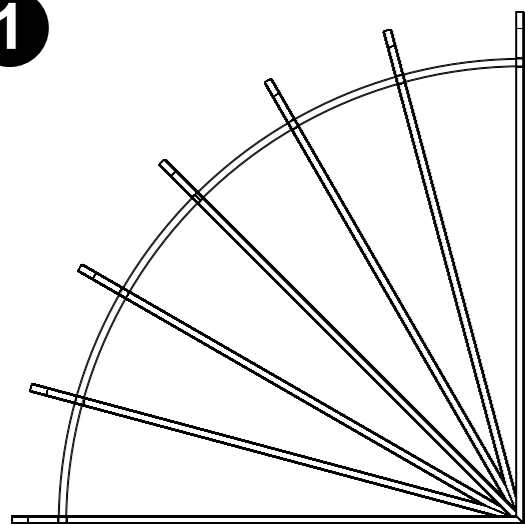
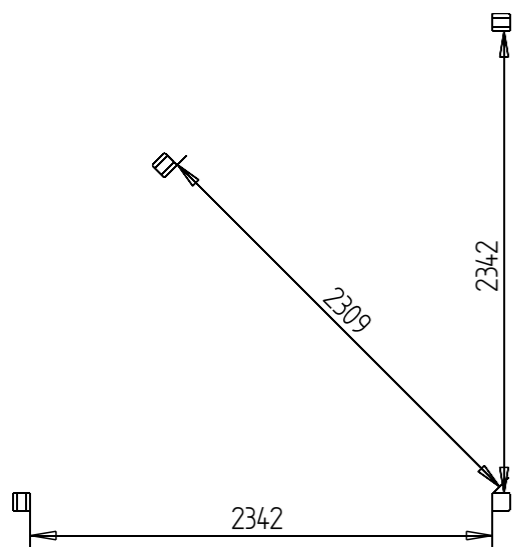


1



Before starting the construction it is a good idea to lay the rafters out on the ground and make sure that they all line up, and for the positioning of the posts.

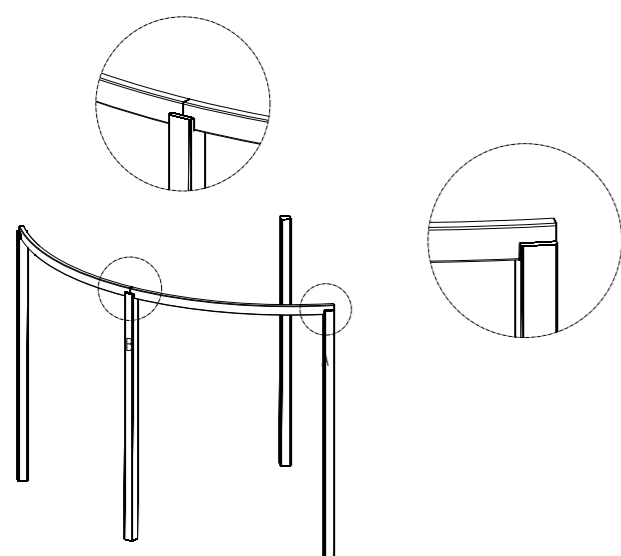
2



Locate the notched posts so they are 18 inches in the ground and the un notched post 20 inches into the ground.

Alternatively if you are using a fencefast you will need to trim this off the bottom of each post.

3

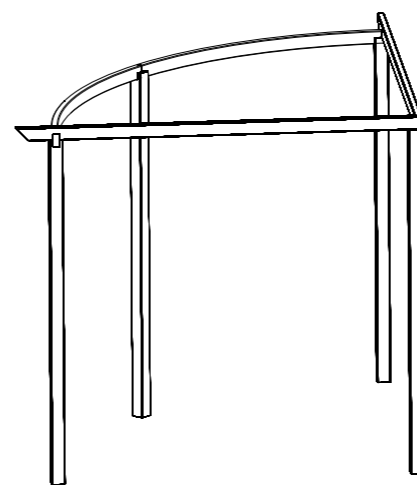


4
50mm

Slot the Arced rafters into the notched posts as shown.

Secure using 2x50mm screws for the middle and 1x50mm screw for each of the outer posts through the notched post into the arced rafter.

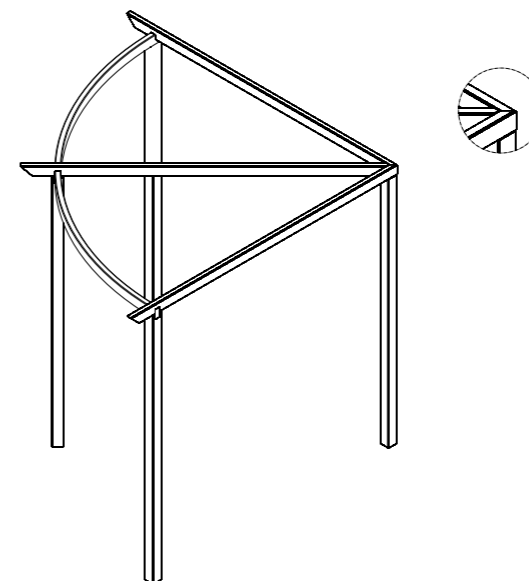
4



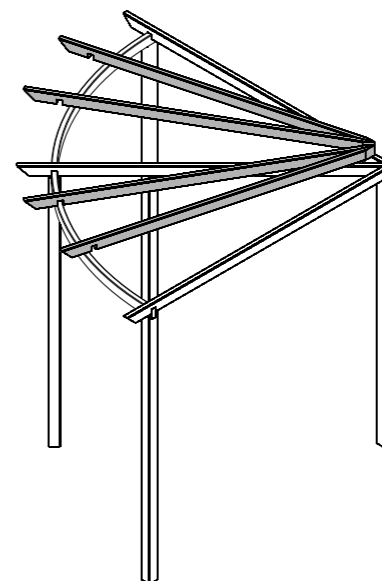
Slot the Rafter 1 and 7 onto the ends of the arc rafters as shown. Make sure that they in line with each other and the un notched post.

Do not secure to the post at this time.

5

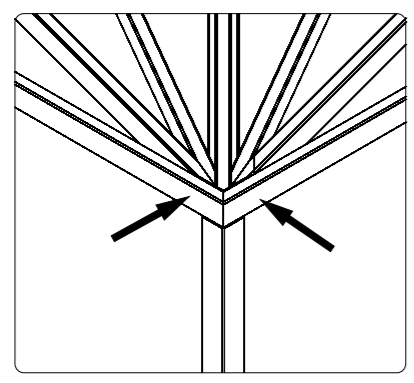
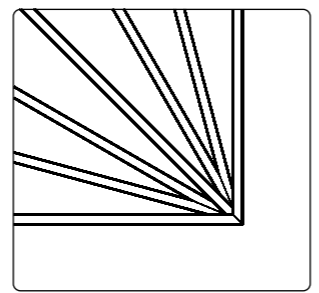
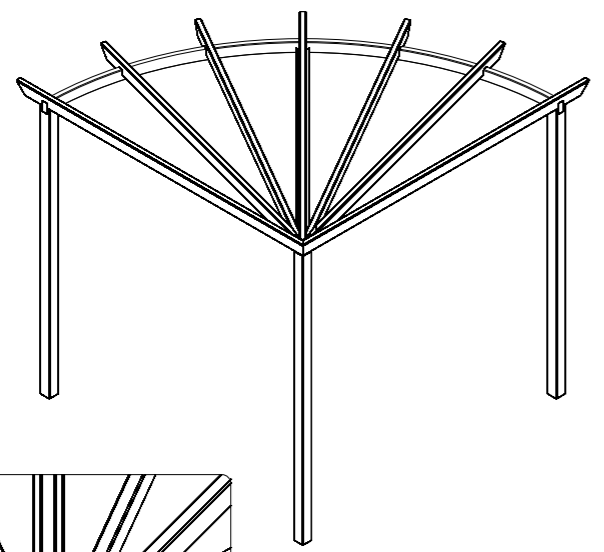
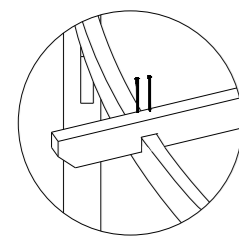
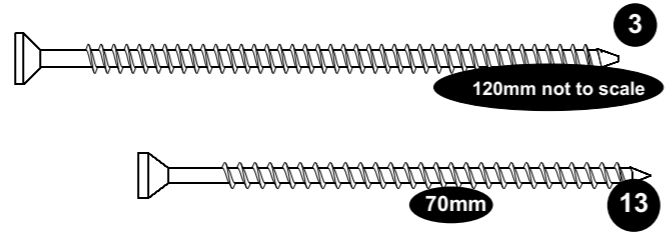


Place Rafter 4 so that the notch overlaps the join between the two arc rafters and sits on the un notched post central, between the other rafters.



Place the remaining rafters.

6



When all the rafters are in the correct positions fix them to the arced rafter by screwing through the rafter using a 70mm screw for each.

Secure the rafters to each other using 2x120mm screws, screwing from each side as shown.

Using the remaining 120mm screw, secure the central rafter to the un notched post.

Forest Garden plc.
Units 291 & 296 Hartlebury Trading Estate
Hartlebury
Worcestershire
Dy10 4JB

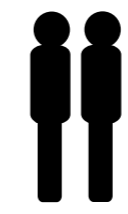
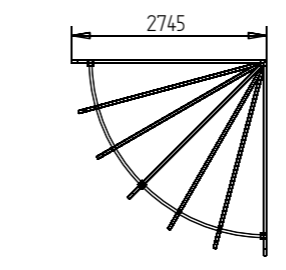
General Enquiries: 0844 248 9853
E-mail: info@forestgarden.co.uk

www.forestgarden.co.uk

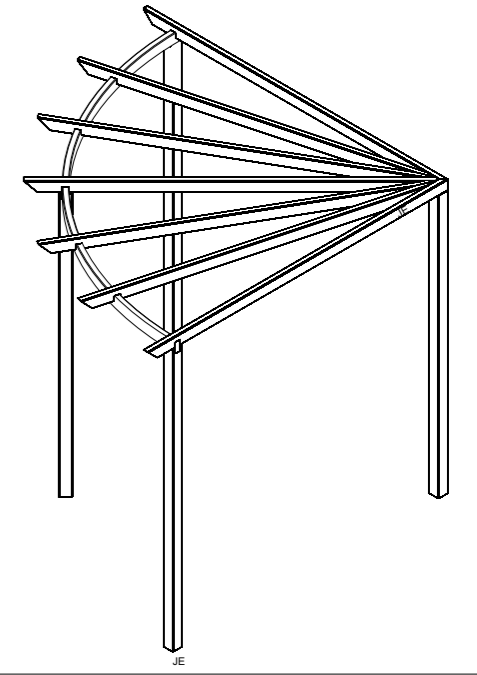
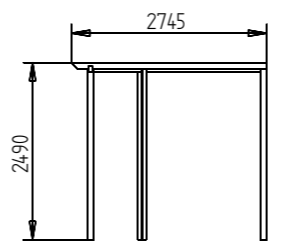
Forest Garden plc

RADIAL PERGOLA 90 DEGREES

0309



Important : Assembly of this Pergola requires two people.



Thank you for choosing this Pergola manufactured by the UK's largest manufacturer of timber garden products. In order to gain the most benefit from it, please note the following:

- Exercise particular care and follow instructions.
- This Pergola is pressure treated. For extra protection from the elements we recommend that you treat your structure using a wood preservative treatment. Apply in accordance with the manufacturers instructions.
- Please ensure that you thoroughly check all component parts for quantity and quality before you commence building the product. If there are any missing parts, please contact the help line as shown immediately. The manufacturer cannot be held liable for damaged items once any part of the product has been fitted or altered in any way (e.g. Painted)
- Timber is a natural material. It will shrink and swell as a result of varying moisture content.
- Please keep all plastic bags and small parts away from children in order to reduce the risk of suffocation.
- Important Note : Do not lean or stand on rafters during assembly they are not load bearing.
- If there are any technical queries with the product, please contact our customer help line on 0844 248 9853 between the hours of 8.30 am and 5.00 pm Monday to Friday.

