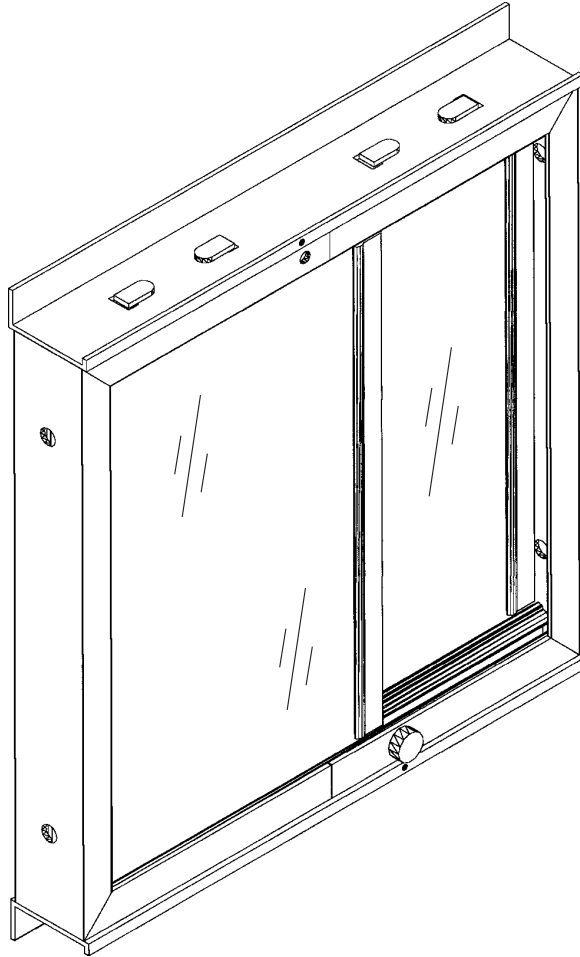


Window Kit

Instructions for Assembly

Ver: 1.0



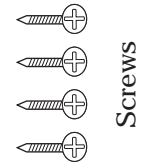
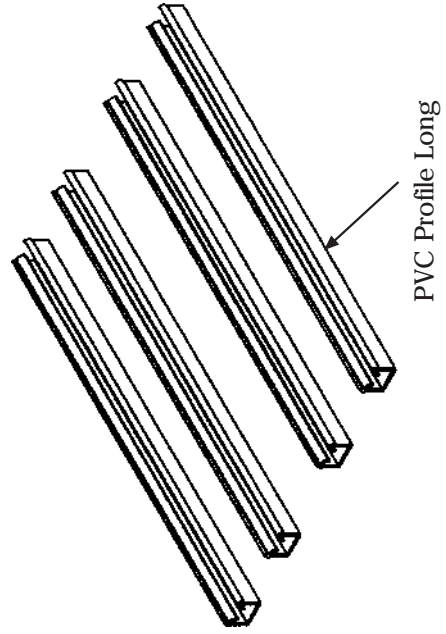
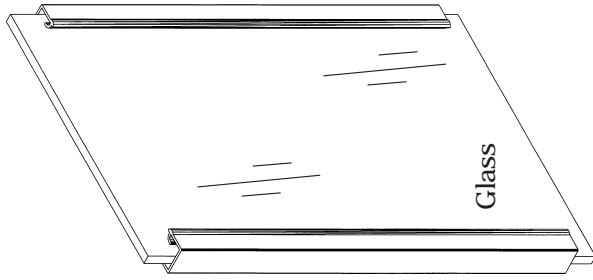
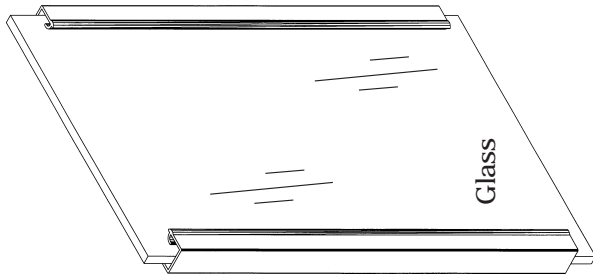
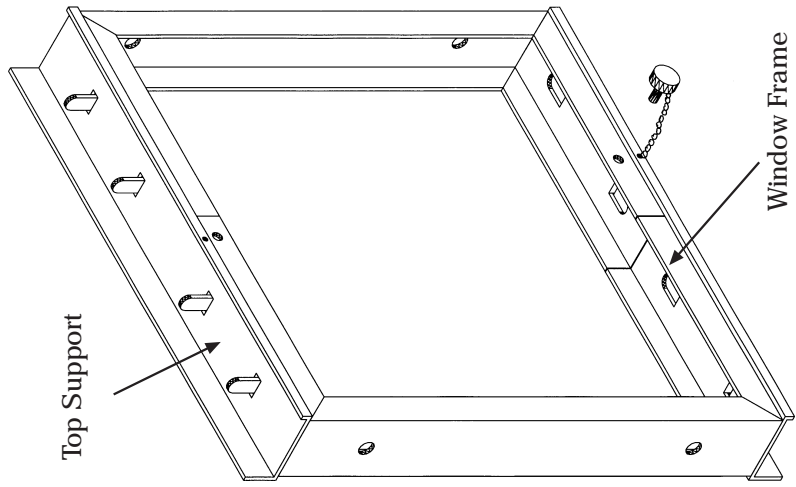
LIST OF TOOLS & PARTS NEEDED

- Screw Driver Flat
- Power Drill
- Dia. 3/32" (2.5mm) Drill Bit
- Super Glue
- Hammer
- Water Proof Clear Silicon
- Hand gloves

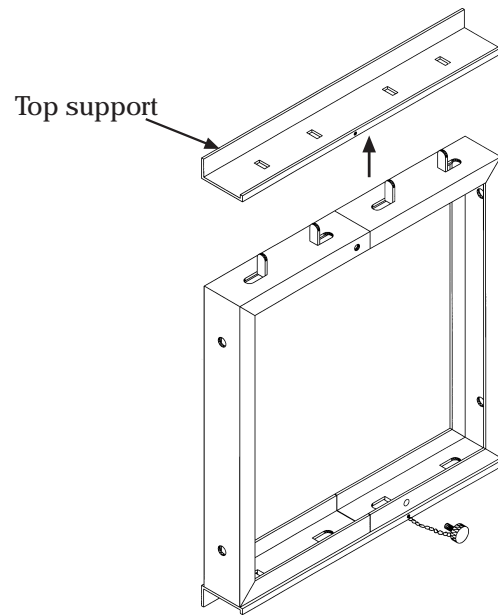
WINDOW PART LIST

Note: Check all parts prior to installation.

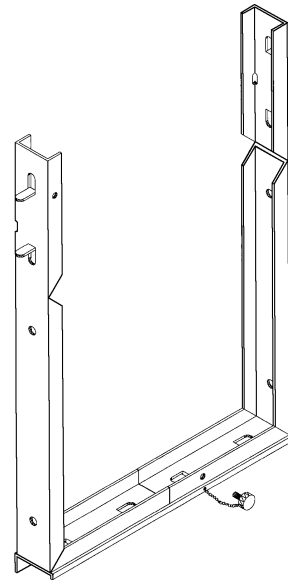
DESCRIPTION	QTY
WINDOW FRAME	1
TOP SUPPORT	1
PVC PROFILE LONG	4
GLASS	2
SCREWS	4



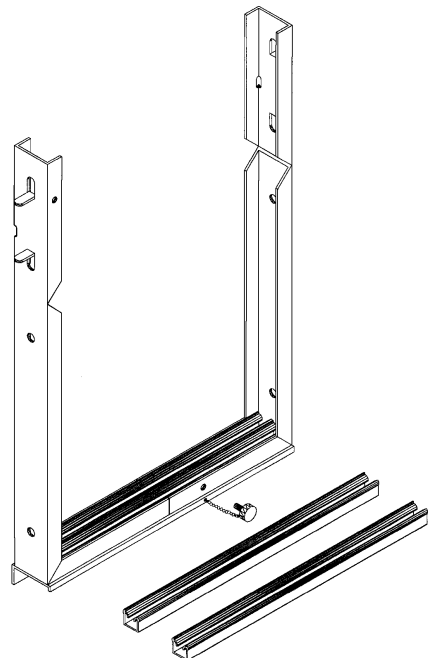
1. Detach the top support from window frame.



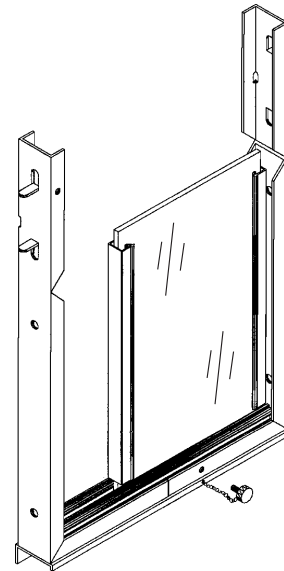
2. Open the window frame on both side as shown in fig.



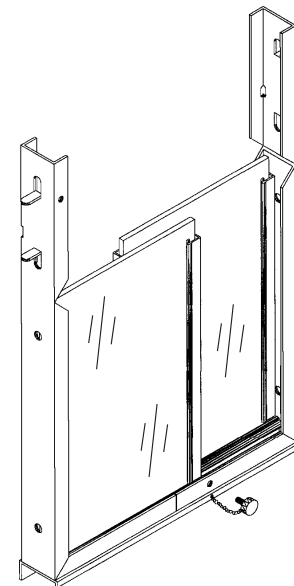
3. Place two PVC Profiles (long) inside the window frame and glue it with superglue. See the figure.



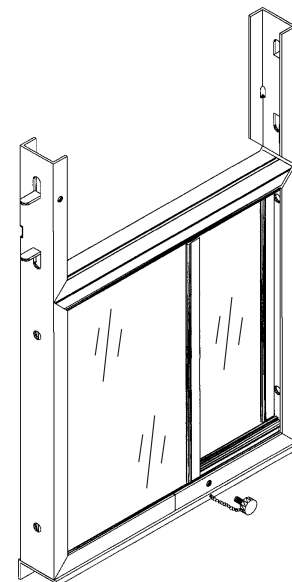
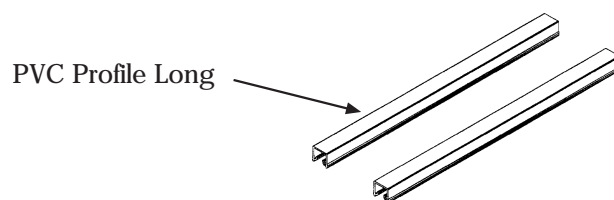
4. Place the assembled glass into the PVC profile (long). Glue the bottom of the glass to the PVC profile using superglue to make stationary, so that this glass is not moveable. See Fig.



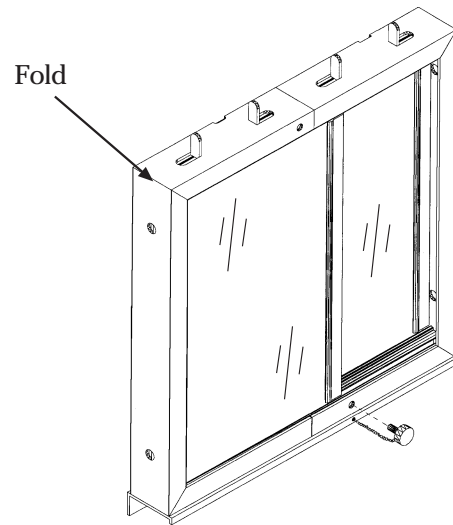
5. Place the assembled glass into the PVC profile (long). This glass is moveable. See Fig.



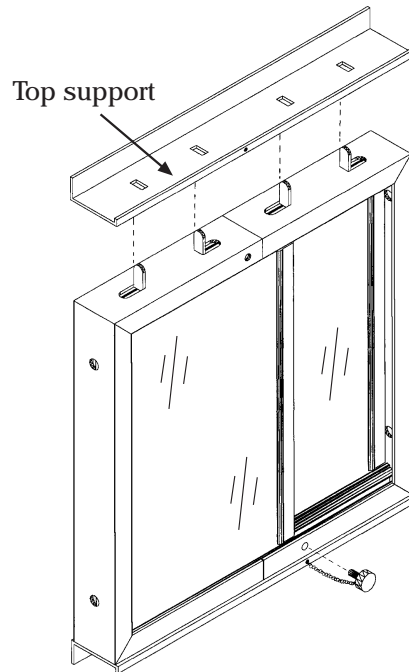
6. Place the PVC Profiles (long) on top of the glass. See Fig.



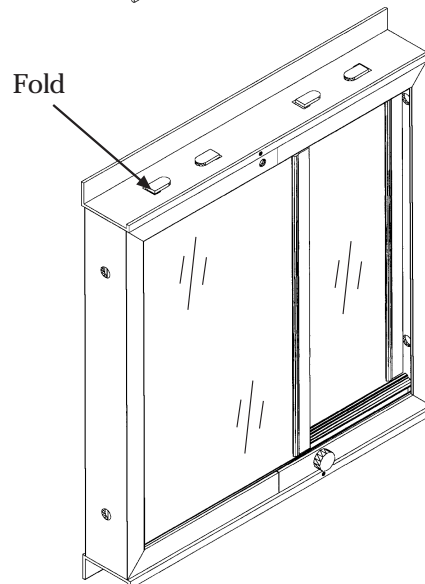
7. Bend the window profile as shown.



8. Place the top support on top of the window frame by sliding the notches through the holes. See Fig.

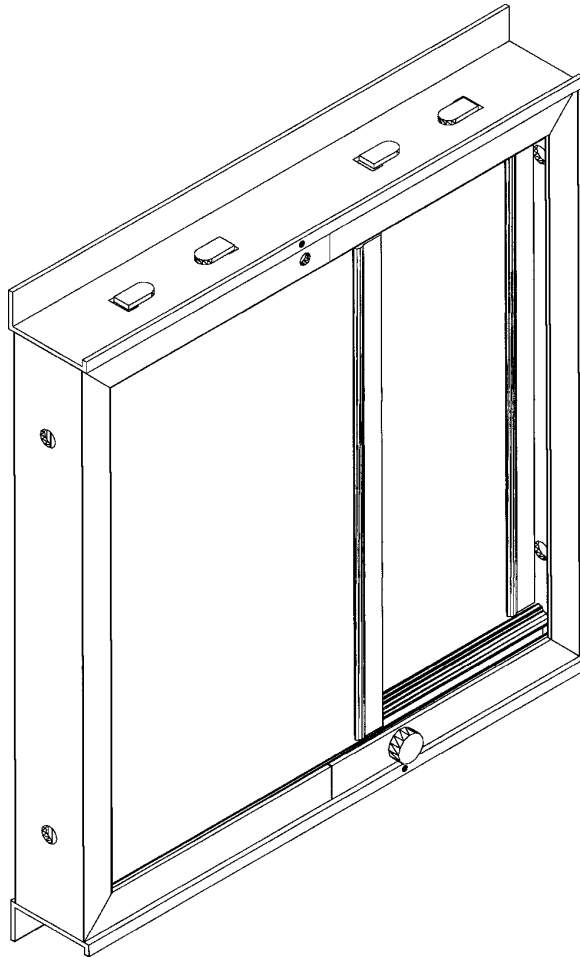


9. Fold the notches to complete the assembly of the window. See Fig.



Window Kit

Installation Manual

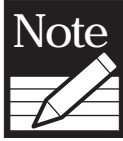


LIST OF TOOLS & PARTS NEEDED

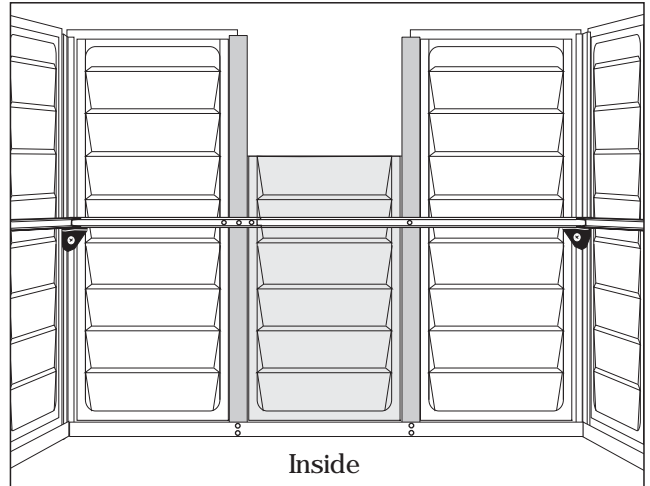
- Screws
- Jig Saw
- Power Drill
- Dia. 3/32" (2.5mm) Drill Bit
- Super Glue

FIXING THE WINDOW ON SHED

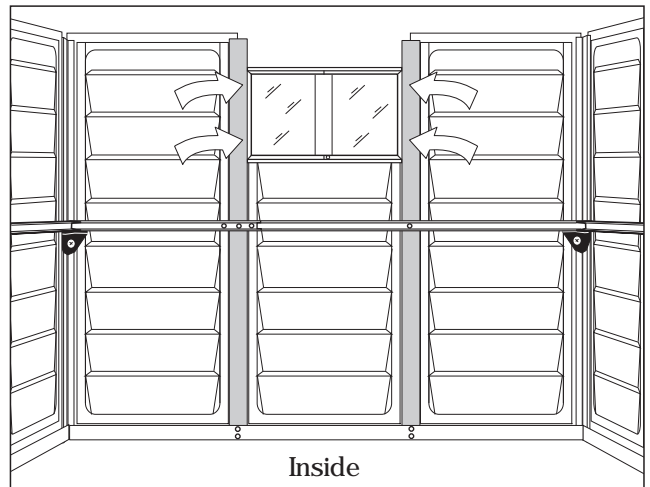
1. Window should be fixed in between the two middle columns only.



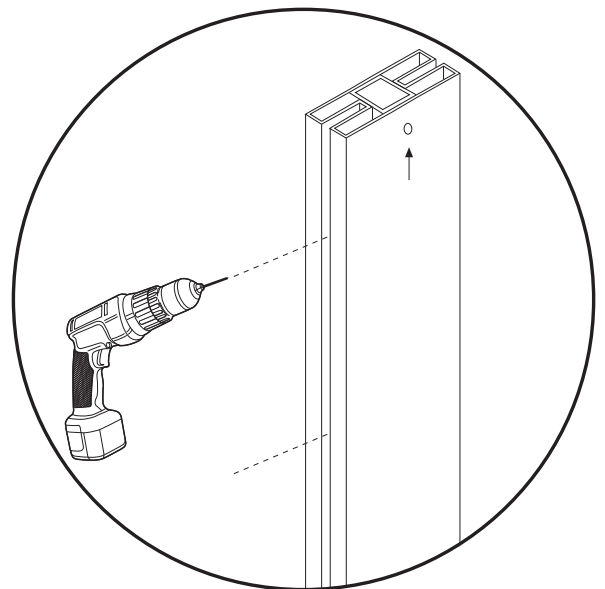
Do not attempt to fix the window in any corner or in the front.



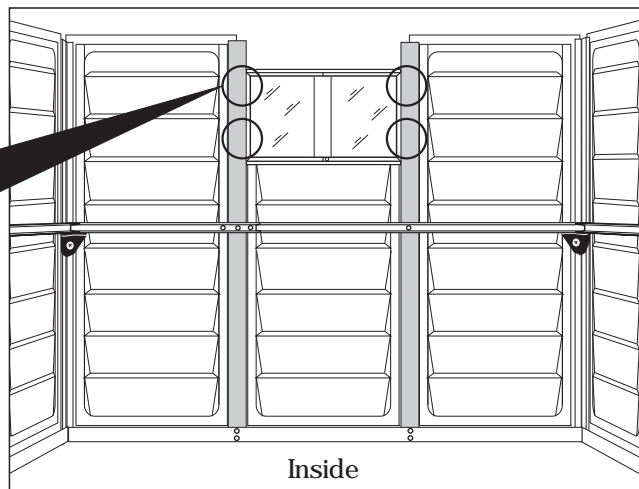
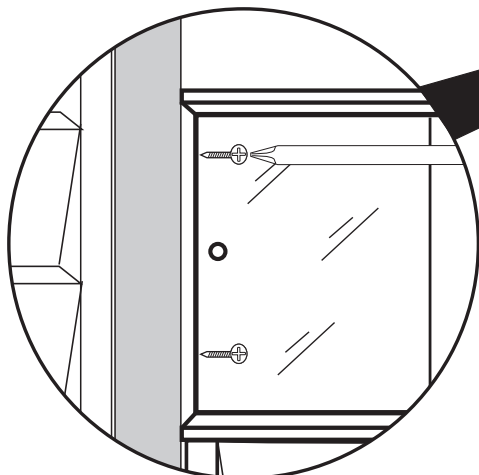
2. Place the window on top of the cut Side Panel and mark the hole position from the window frame to the column on both the sides.



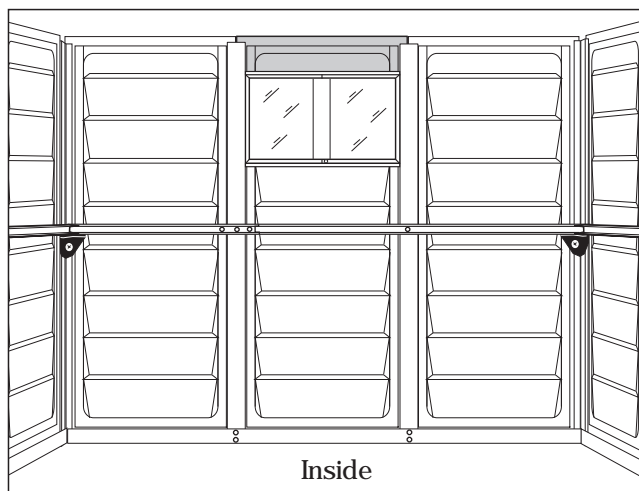
3. Remove the window and use dia. 2.5mm drill with power drill to make 2 holes on the markings made on both columns.



4. Place the window on top of the cut Side Panel. Use 5/32" x 1 1/4" (dia. 4 x 32mm) screw to fix the window to the middle columns.



5. Fix the small cut Side panel on top of the window by sliding in between the two middle columns.



6. Continue assembling the shed using the main instruction manual.



FIXING THE WINDOW ON SHED

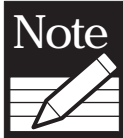
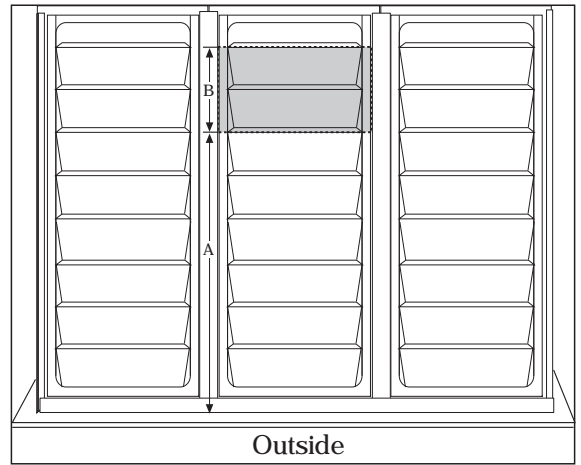


Window should be fixed in between the two middle columns only.

Do not attempt to fix the window in any corner or in the front.

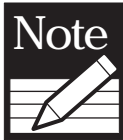
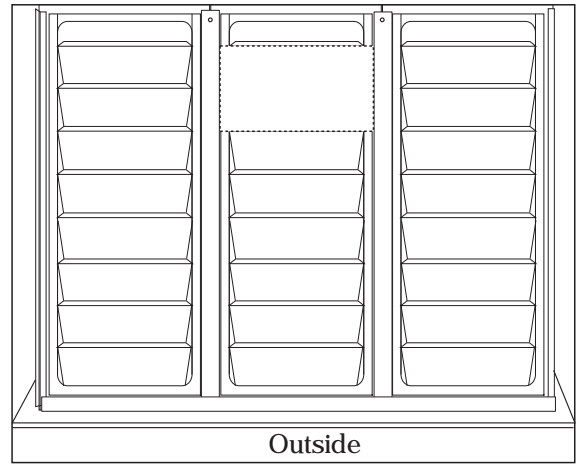
1. Mark the side panel from bottom as given below.

A	B	
41.88" (1064mm)	15.86" (403mm)	For (8' x 6') & (4' x 8') Sheds
43.7" (1110mm)	22.75" (578mm)	For (10' x 8') Sheds



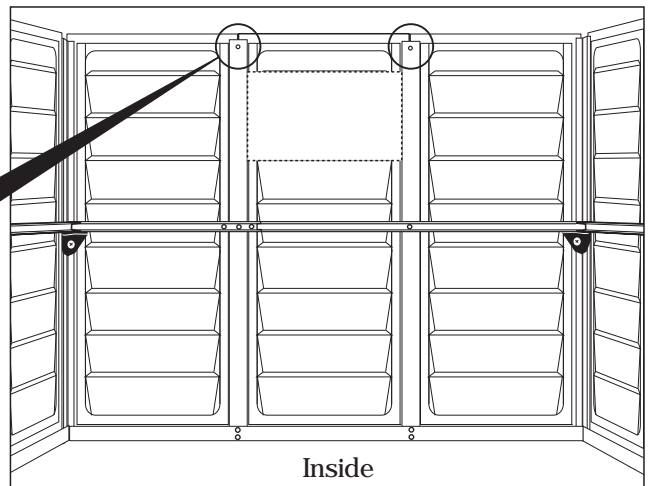
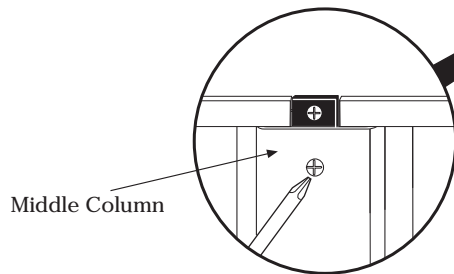
Assemble the window in 4' x 8' Shed between two middle column (CMB) only.

2. Use a jigsaw to cut the side panel on the marking. Remove the cut portion of the side panel in between the columns.

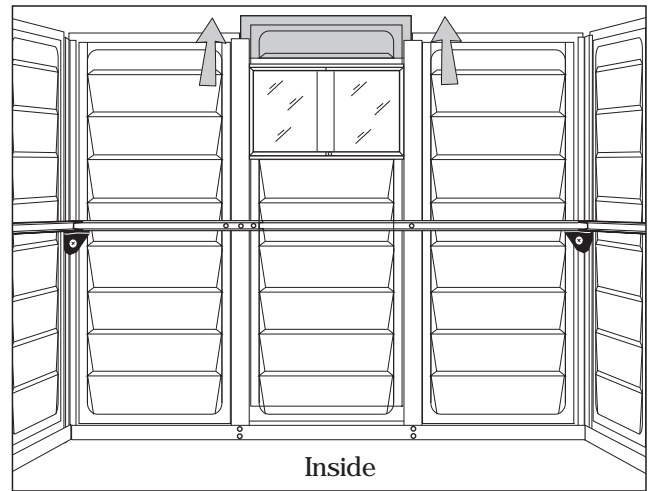


Make sure the top part and the bottom part are separated from each other.

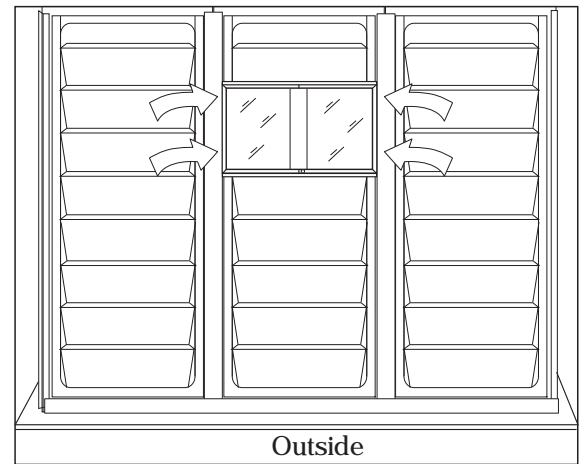
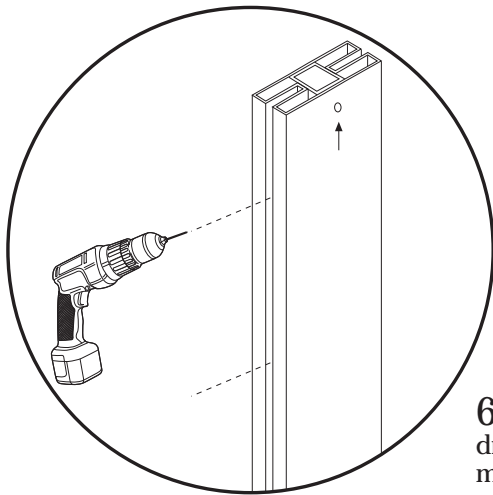
3. Detach the middle column and middle column fitting by removing one screw from each side.



4. To place the window on top of the cut side panel lift the top cut side panel by pushing it upwards.

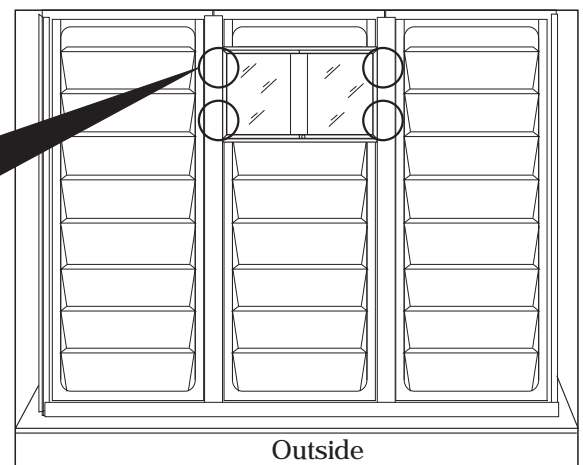
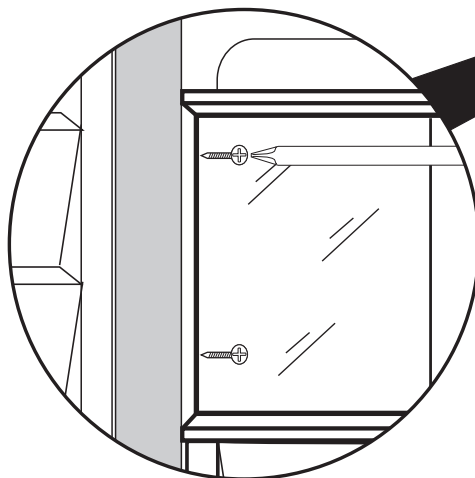


5. Mark the hole position from the window frame to the column on both the sides.



6. Remove the window and use dia. 2.5mm drill with power drill to make 2 holes on the markings made on both columns.

7. Place the window on top of the cut Side Panel. Use 5/32" x 1 1/4" (dia. 4 x 32mm) screw to fix the window to the middle columns.



8. Fix the middle column to the middle column fitting (which was detached in Step 3) by using the screws.

