

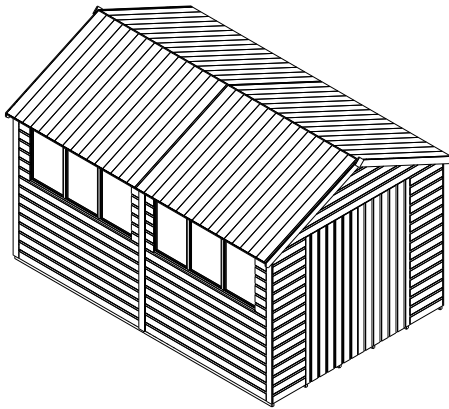
12'x8' HD WORKSHOP ASSEMBLY INSTRUCTIONS

ISSUE 0109

Should you require any additional guidance with the assembly of your workshop please contact our technical help line on 0844 248 9853 between the hours of 8:30am and 5:00pm Monday-Friday.

Thank you for choosing this garden building manufactured by the UK's largest manufacturer of timber garden products. In order to gain the most benefit from it, please note the following:

- Exercise particular care and follow instructions whilst cutting the roofing felt. If it is cut incorrectly, additional roofing felt can be inexpensively purchased from most good DIY retailers or garden centres.
- Most buildings are pre-treated with a factory base coat for protection during storage and transit. We recommend that you treat your new building as soon as possible after assembly, using a wood preservative treatment. Apply in accordance with the manufacturers instructions.
- If there are any technical queries with the product, please contact our customer help line on 0844 248 9853 between the hours of 8.30 am and 5.00 pm Monday to Friday.
- Please ensure that you thoroughly check all component parts for quantity and quality before you commence building the product. If there are any missing parts, please contact the help line as shown immediately. The manufacturer cannot be held liable for damaged items once any part of the product has been fitted or altered in any way (e.g. Painted)
- Timber is a natural material. It will shrink and swell as a result of varying moisture content.
- Please keep all plastic bags and small parts away from children in order to reduce the risk of suffocation.



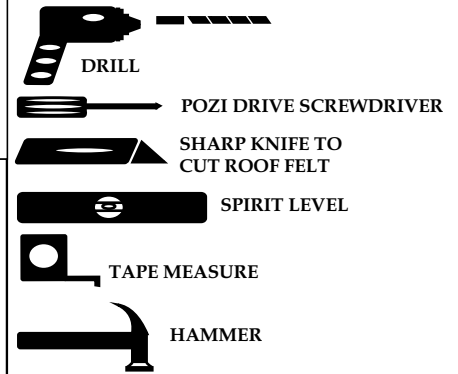
12'x8' Heavy Duty Workshop



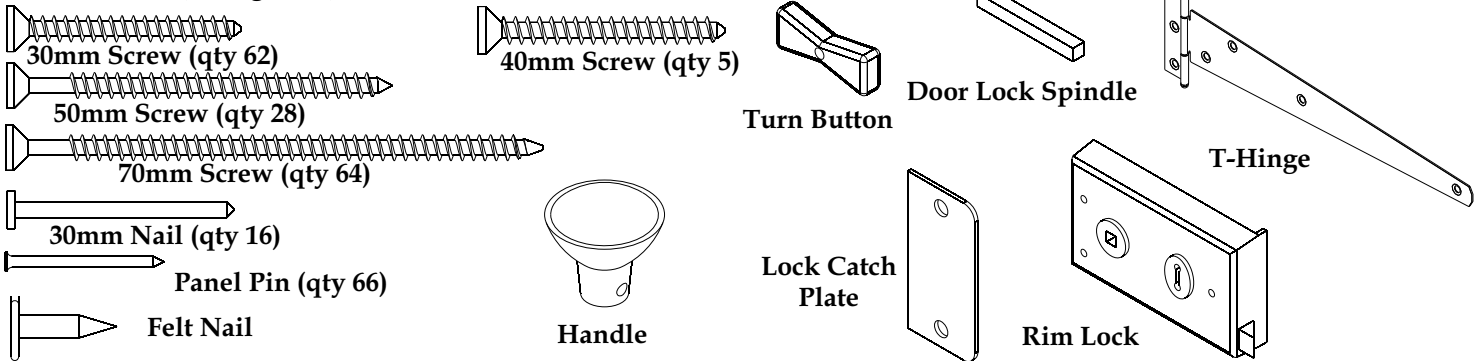
Important : Assembly of this workshop requires two people.

Helpful Tip : use the illustration of the screw/nail shown in each step to help you identify which fixing is required during the assembly of your workshop.

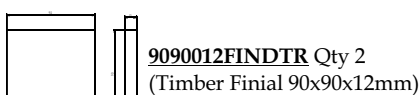
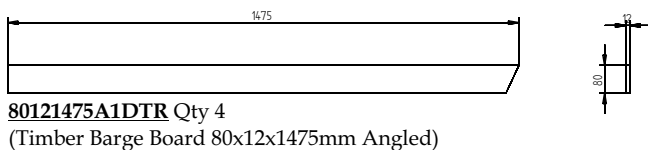
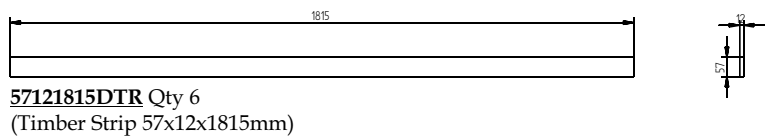
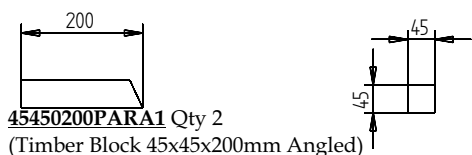
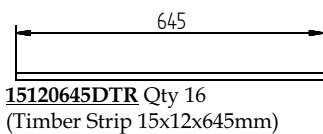
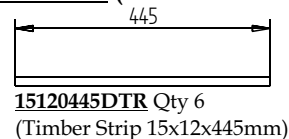
Required Tools : (Not Supplied)



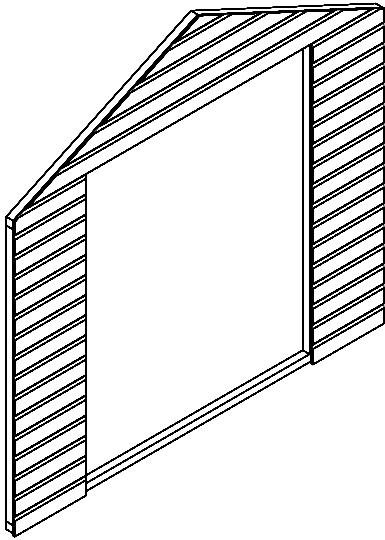
HD128WSFP (Fixing Pack) Contents :



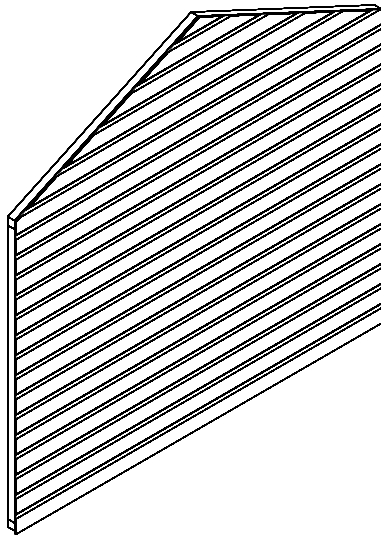
HD128WSL (Loose Item Pack) - Contents



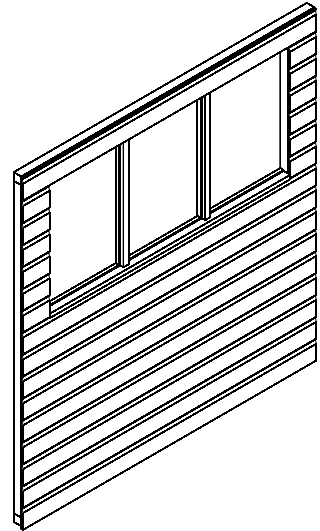
Components Included :



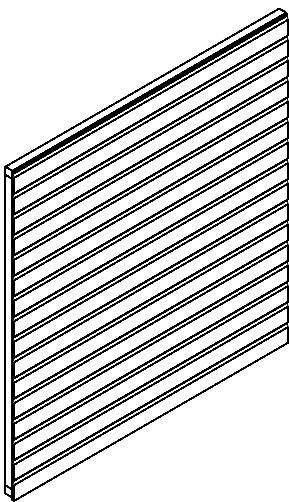
HDWSDE quantity 1
(Heavy Duty Workshop Door End)



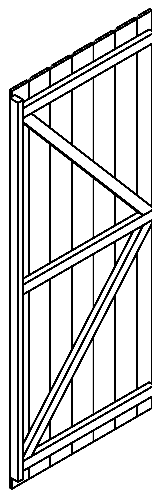
HDWSPE quantity 1
(Heavy Duty Workshop Plain End)



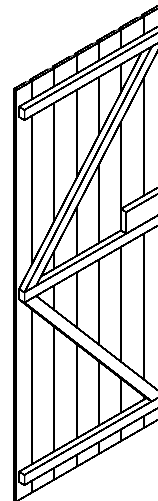
HD128WSWP quantity 2
(12x8 Heavy Duty Workshop Window Panel)



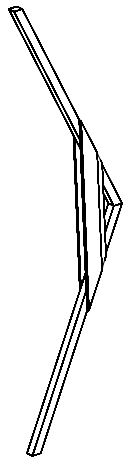
HD128WSPP quantity 2
(12x8 Heavy Duty Workshop Plain Panel)



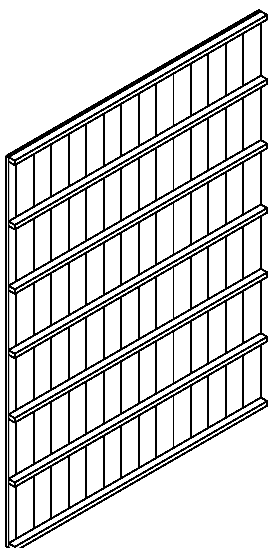
HDWSLHDR quantity 1
(Heavy Duty Workshop Left Hand Door)



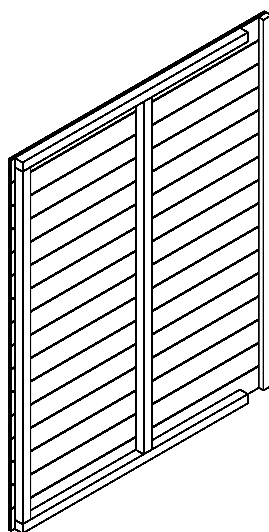
HDWSRHDR quantity 1
(Heavy Duty Workshop Right Hand Door)



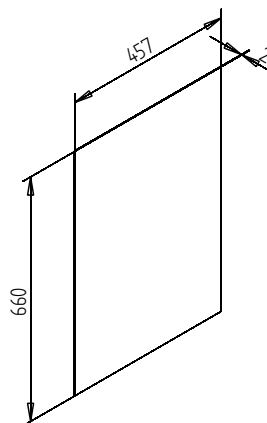
HDWSTRUSS quantity 1
(Heavy Duty Workshop Truss)



HD128WSFL quantity 2
(12x8 Heavy Duty Workshop Floor)



HD128WSRF quantity 4
(12x8 Heavy Duty Workshop Roof)



SANW660457 quantity 6
(SAN Window 660x457mm)

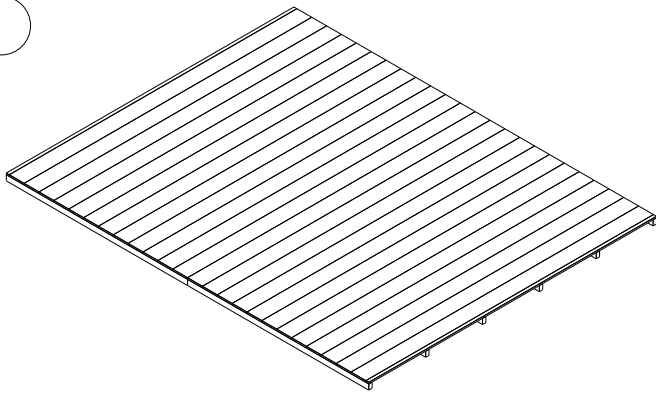


FELT4 quantity 4
(Green Mineral Felt)



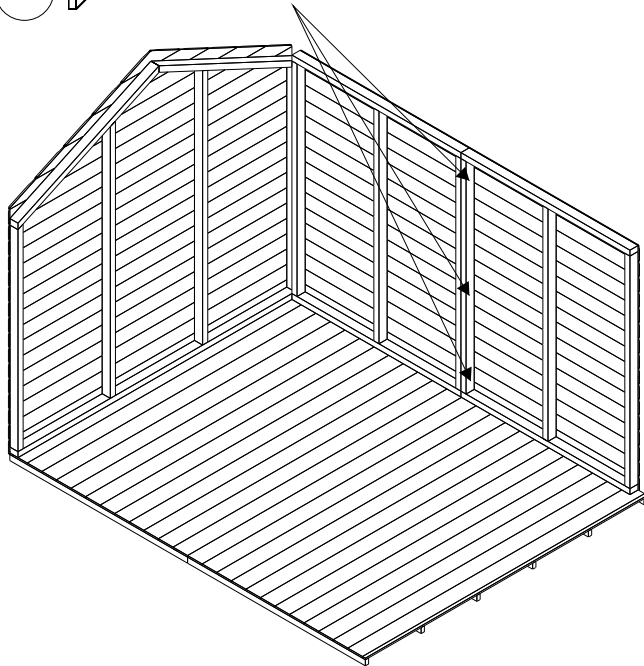
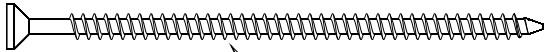
HD128WSFP quantity 1
(12x8 Heavy Duty Workshop Fixing Pack)

1



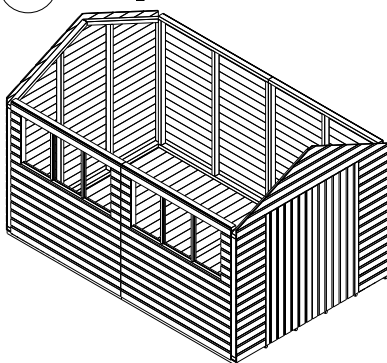
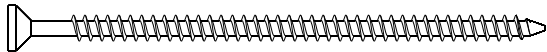
Place the two pre-assembled HD128WSFL (floor sections) onto prepared site. Bearers run from front to back.

3



Place second HD128WSPP (plain side panel) onto HD128WSFL (floor) so that it butts up against previously positioned HD128WSPP (plain side panel). Secure panels together with three 70mm screws placed as shown. Do not secure panels to floor at this point.

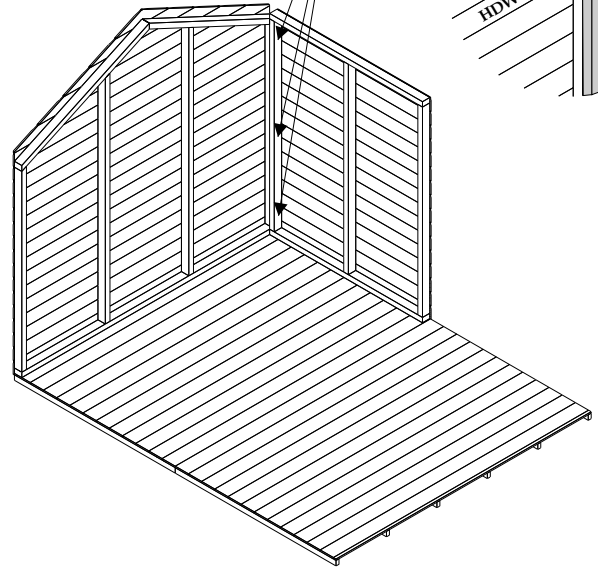
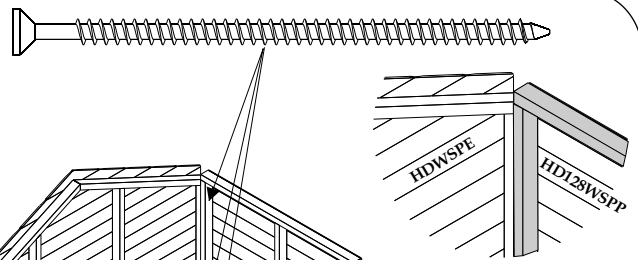
5



Repeat procedure outlined in steps two and three to position and secure complete front end panel and two HD128WSWP (side window panels).

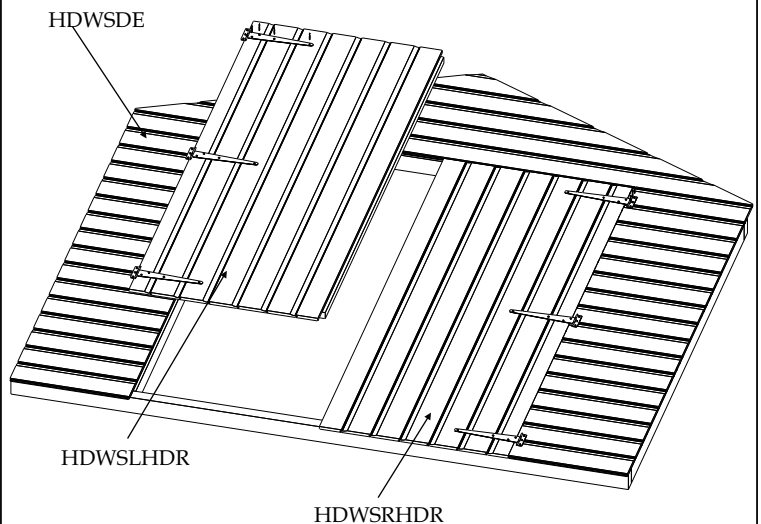
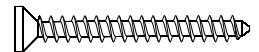
Once all panels are in place secure through each end panel into floor with three 70mm screws, and each side panel into floor with two 70mm screws. All screws must locate into floor bearers.

2



Place the HDWSPE (plain end panel) onto HD128WSFL (floor section). Left and right hand edges of the panel must be flush with the left and right hand edges of the floor. Place one of the HD128WSPP (plain side panels) on to floor so that it butts up against HDWSPE (plain end panel). Secure through the framework of HD128WSPP (plain side panel) into HDWSPE (plain end panel) with three 70mm screws as shown above. Do not secure panels to floor at this point.

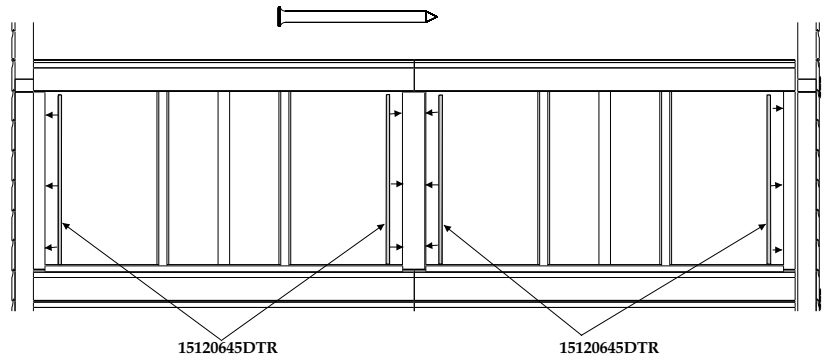
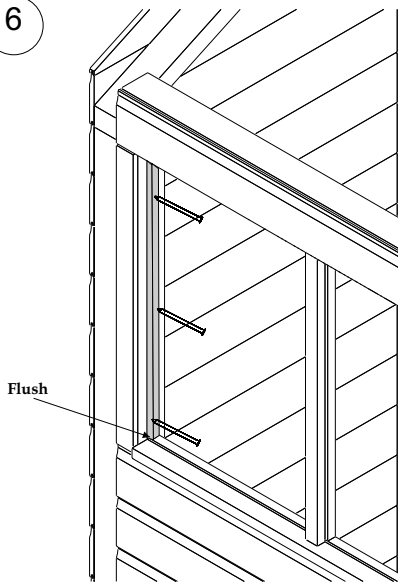
4



A) Fasten three hinges to HDWSRHDR (right hand door) as shown above using 30mm screws. Screws must secure into the horizontal braces on the back of each door. Repeat procedure for HDWSLHDR (left hand door)

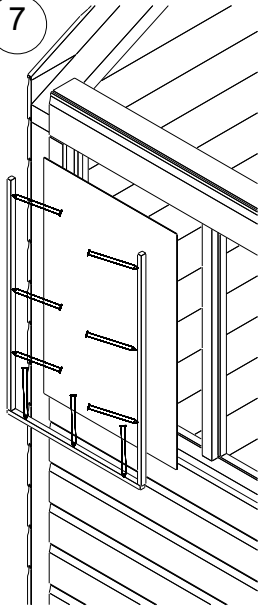
B) Place HDWSDE (door end) face up on ground. Lay HDWSRHDR (right hand door) into right side of door opening and HDWSLHDR (left hand door) into left hand side of door opening. Ensure that both doors are square with equal gaps to left and right, then secure hinges to HDWSDE (door end) with 30mm screws.

6



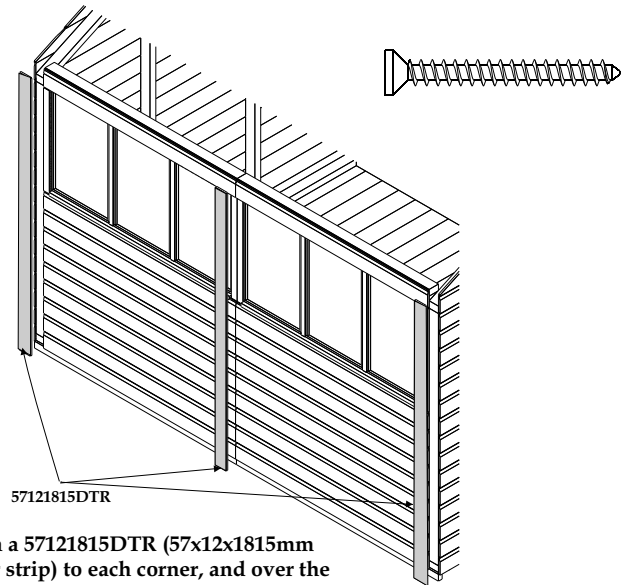
Place a 15120645DTR (15x12x645mm glazing strip) into window openings as shown above. Each glazing strip must be flush with the rebated section of the window framework. Secure each strip in place with three panel pins.

7



Position a SANW660457 (SAN window) into each of the window openings. Place a 15120445DTR (15x12x445mm glazing strip) across the bottom of each window, and a 15120645DTR (15x12x645mm glazing strip) to the left and right of each window. Secure each glazing strip in place with three panel pins.

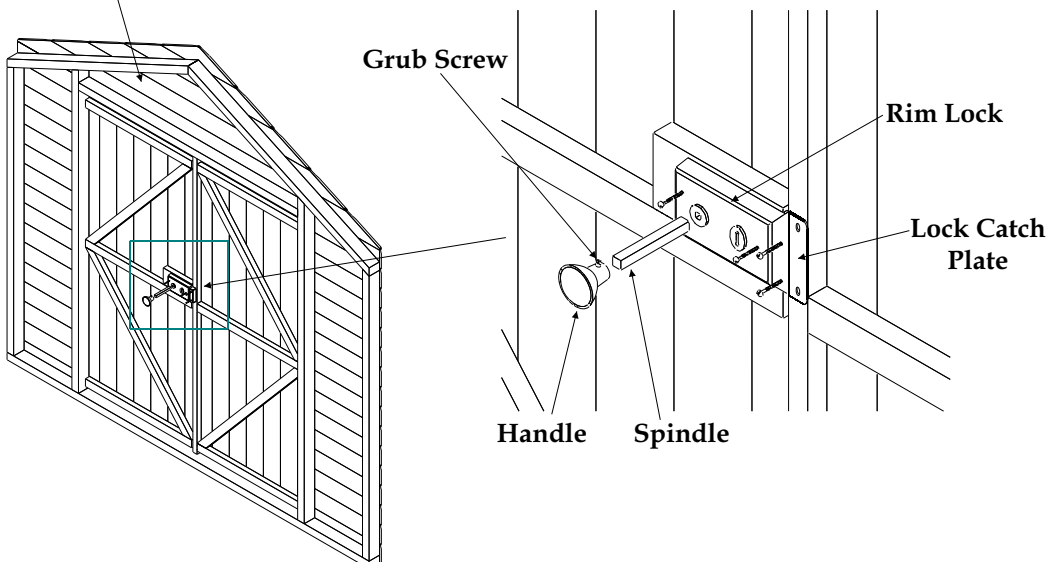
8



Attach a 57121815DTR (57x12x1815mm corner strip) to each corner, and over the joint of the side panels with three 30mm screws.

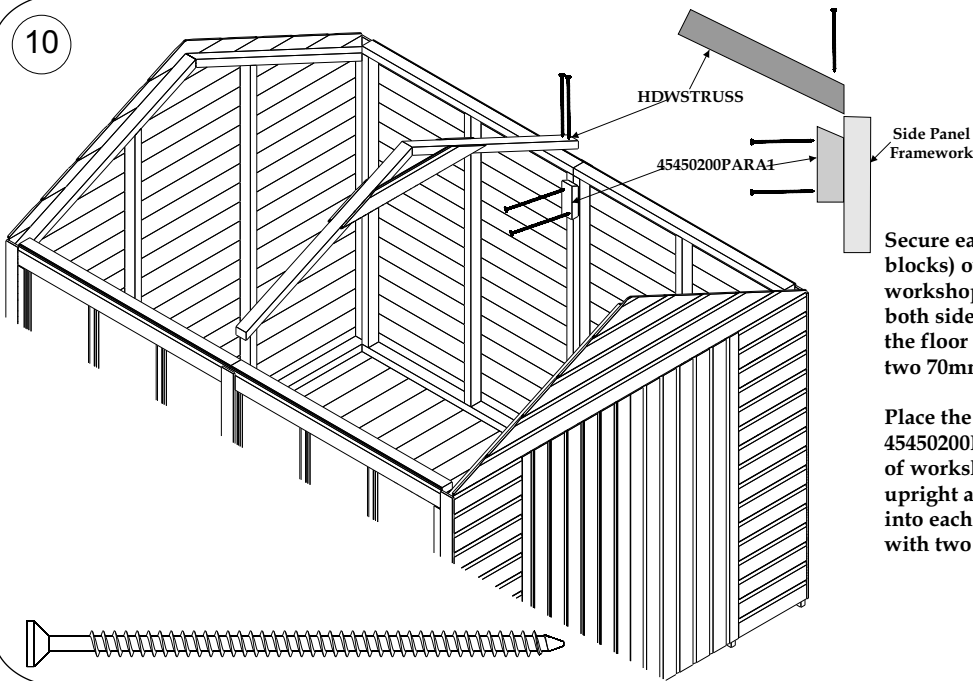
9

Door End Inside Workshop



Attach rim lock to large block on door with three 40mm screws, ensuring that the key and handle holes on the lock line up with the pre-drilled holes on the door and that the lip on the lock overhangs the edge of the door block. Place the door lock spindle through the hole on the lock and attached a handle to both ends, securing them both in place with a grub screw. Place the lock catch plate on the opposite door and position so that when both doors are closed the lock and the catch plate will hold the door shut, and secure in place with two 40mm screws.

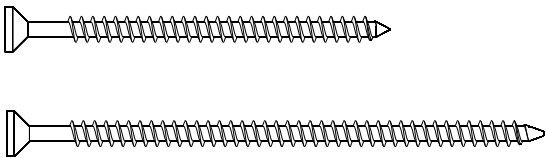
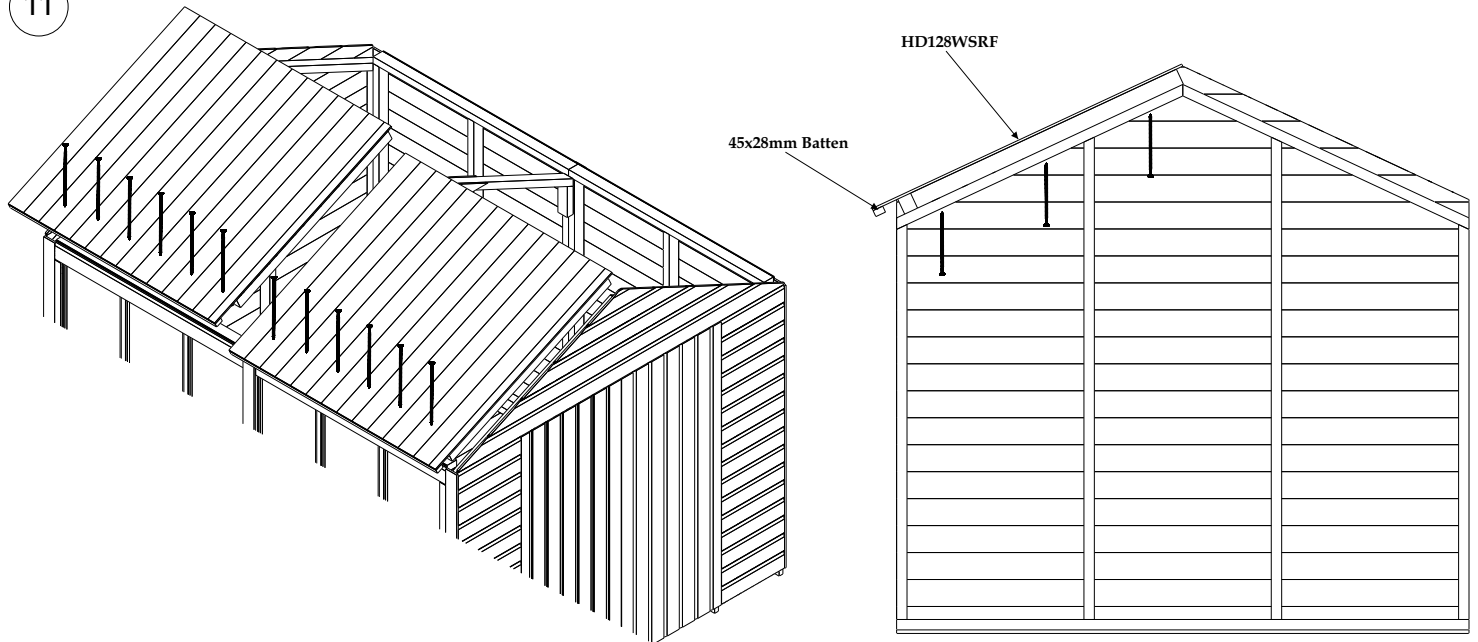
10



Secure each of the 45450200PARA1 (45x45x200mm angled blocks) over the join of the side panels at either side of the workshop. Block must overlap join by equal amounts at both sides. Distance between the bottom of each block and the floor must be 1565mm. Secure each block in place with two 70mm screws.

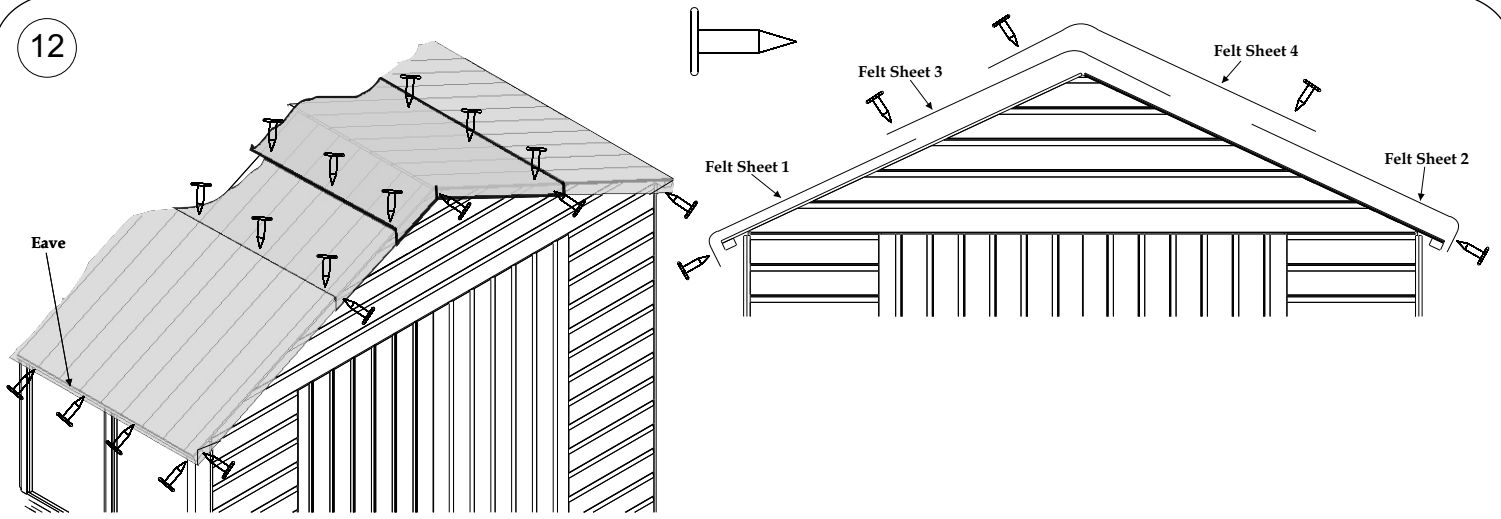
Place the HDWSTRUSS (truss) centrally on 45450200PARA1 (45x45x200mm angled block) at either side of workshop. Ensuring that the HDWSTRUSS (truss) is upright and centred, secure through HDWSTRUSS (truss) into each 45450200PARA1 (45x45x200mm angled block) with two 70mm screws.

11



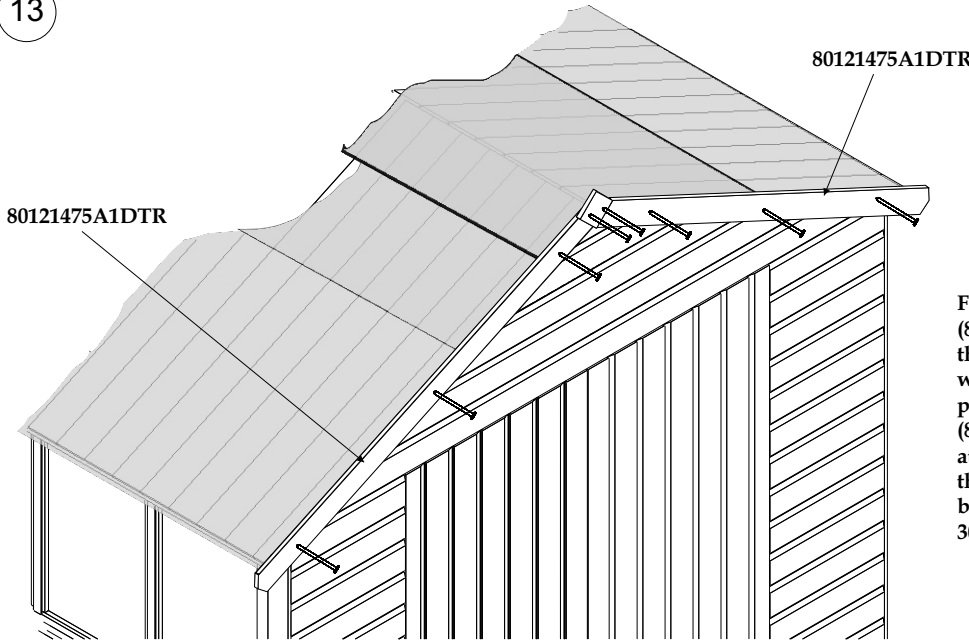
Place one HD128WSRF (roof section) on top of the workshop. When each HD128WSRF (roof section) is correctly positioned the 45x28mm batten that runs the continuous length of the HD128WSRF (roof section) should be positioned at the side of the workshop. Framework of the HD128WSRF (roof section) should sit on top of framework of end sections and HDWSTRUSS (truss). Ensure that HD128WSRF (roof section) is positioned so that when HD128WSRF (roof section) on opposite side of workshop is in place they meet at a point, and then secure in place with three 70mm screws through the framework of the workshop end sections into the roof battens, three 70mm screws placed through the bottom of the HDWSTRUSS (truss) into the roof battens, and 50mm screws placed through the HD128WSRF (roof section) into the framework of the plain sides and window sides at 300mm intervals.

12



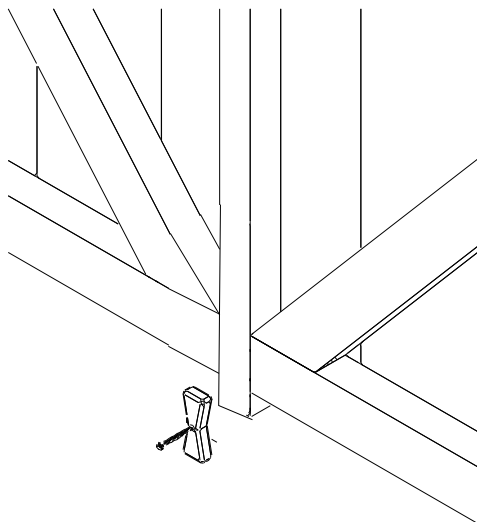
Roll first run of FELT4 (felt) on to roof running from end to end of workshop. Position as shown above (Felt Sheet One), and allowing approximately 50mm overlap to front, back, and side, cut the felt to length. Secure in place along eave with felt nails placed at 150mm intervals. Cut and fold felt at corners and secure fold in place with a felt nail. Repeat procedure for felt sheet 2. Place felt sheets three and four as shown and secure in place with felt nails at 150mm intervals.

13



Fasten each of the four 80121475A1DTR (80x12x1475mm angled barge boards) in place with three 30mm nails. Barge boards should be flush with top edge of roof and meet at the apex (highest point) of the workshop. Once 80121475A1DTR (80x12x1475mm angled barge boards) are in place, attach a 9090012FINDTR (finial) over the join of the 80121475A1DTR (80x12x1475mm angled barge boards) at both ends of the workshop with two 30mm nails.

14



Attach a turn button to top and bottom of upright door batten with a 30mm screw. Turn button must be in a position that allows it to hold the door closed.